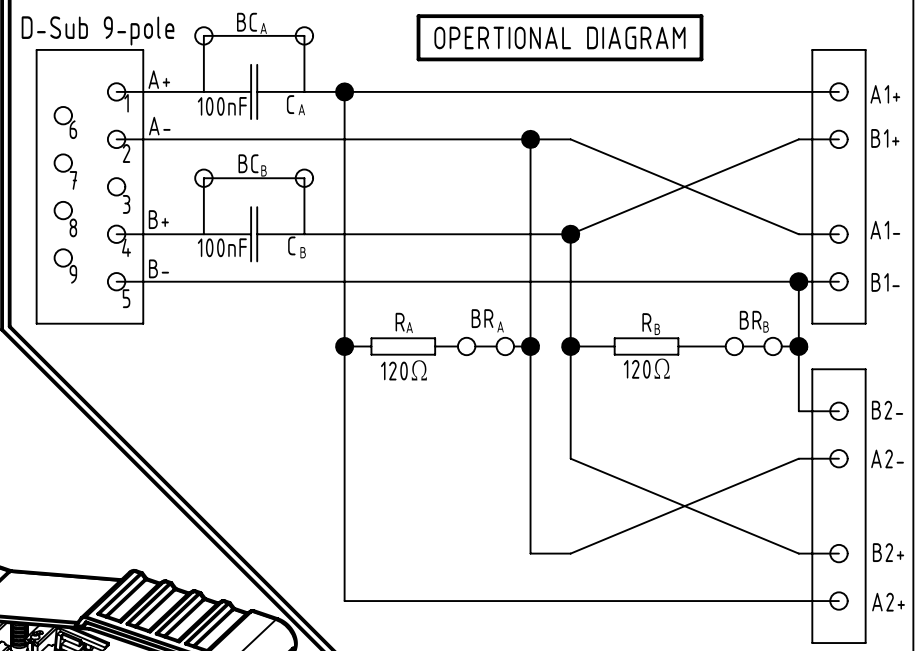
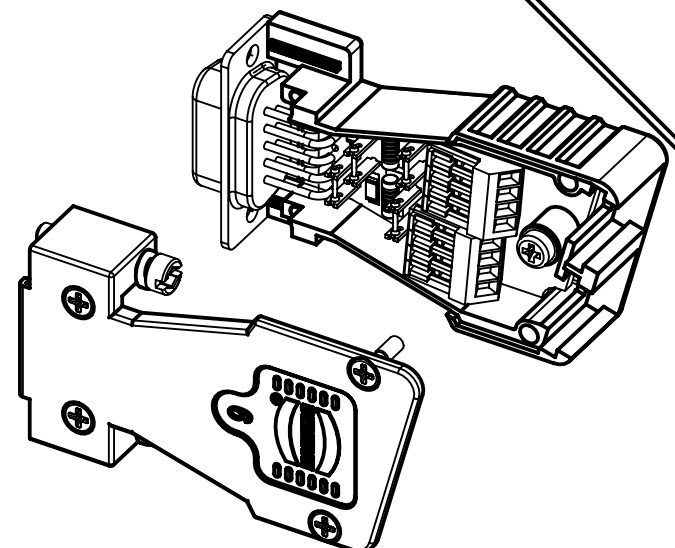
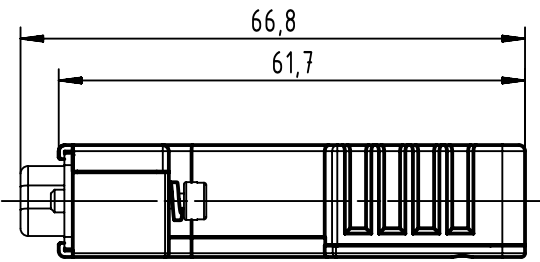
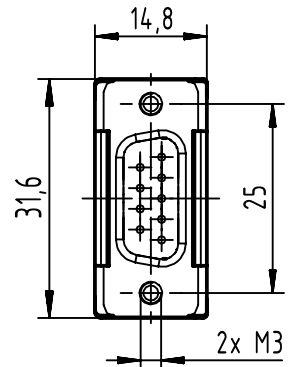
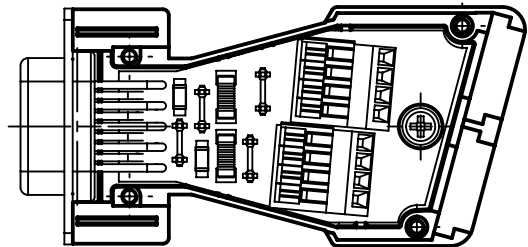


1 2 3 4 5 6

View without cover



In set inclusive:

Number	Description
2	Crimp flange 6,0-7,0
2	Crimp ferrule 9,5-10,5
1	Blanking piece 9-37
1	Label Line A, B, A+B

	All rights reserved		Scale 1:1	Free size tol.		Ref.
	Department EL PD		Created by ZENG D	Inspected by LUOK	Standardisation ROEBEN	Sub.
			Title InduCom 9 male MVB/TBW M3			Date 2021-07-16
D-32339 Espelkamp			Type TB	Number 66630095034		State Final Release
						Doc-Key / ECM-Nr. 100530847/UGD/001/D 500000198818
						Rev. D
						Page 1/1

D	66 63 009 5034 170	PL1	Plated hood
	66 63 009 5034 777	PL1	Small batch
	66 63 009 5034	PL1	Standard batch
	Part number	Performance level	Remark