

1

2

3

4

A

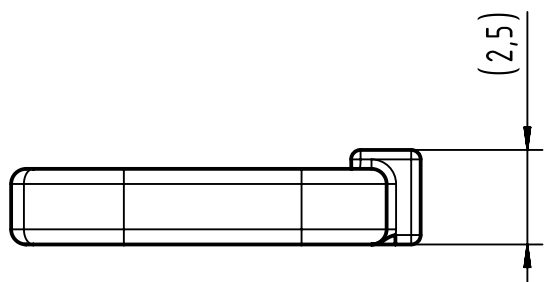
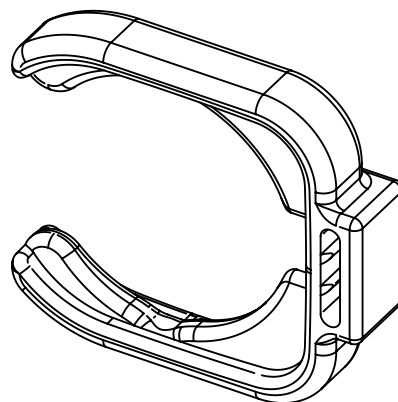
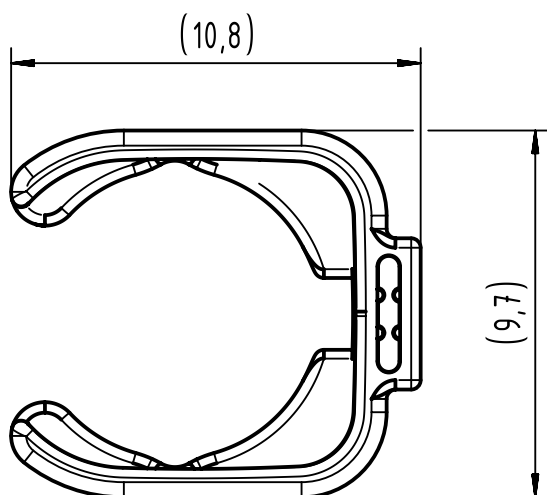
B

C

D

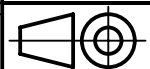
E

F



7	09458700011	Color clip for dual-boot patch cable black	10
6	09458700009	Color clip for dual-boot patch cable green	10
5	09458700008	Color clip for dual-boot patch cable blue	10
4	09458700007	Color clip for dual-boot patch cable red	10
3	09458700006	Color clip for dual-boot patch cable orange	10
2	09458700003	Color clip for dual-boot patch cable yellow	10
1	09458700002	Color clip for dual-boot patch cable grey	10
Cont. no.	Part number	Designation	Pcs.

Coating A= mm² V= mm³ m= g Mat. Polyamide (PA)



All Dimensions in mm
Original Size DIN A4

Scale
5:1

Free size tol.

Ref.

Sub.



All rights reserved
Department EC PD - RO

Created by
POPESCU

Inspected by
PRIESTER

Standardisation
HOFFMANN

Date
2018-04-04

State
Final Release

Title
Color coding Clip for HARTING RJ45 DualBoot

Doc-Key / ECM-Nr.
100176669/UGD/003/C
500000133438

HARTING Electronics GmbH
D-32339 Espelkamp

Type
TB

Number
094587000XX

Rev. C

Page
1/1