

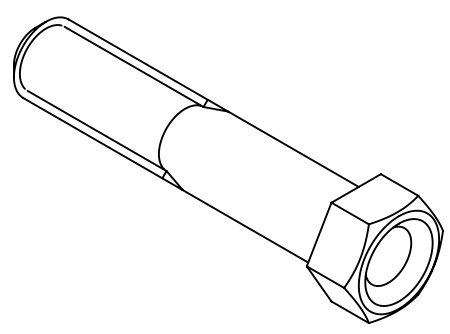
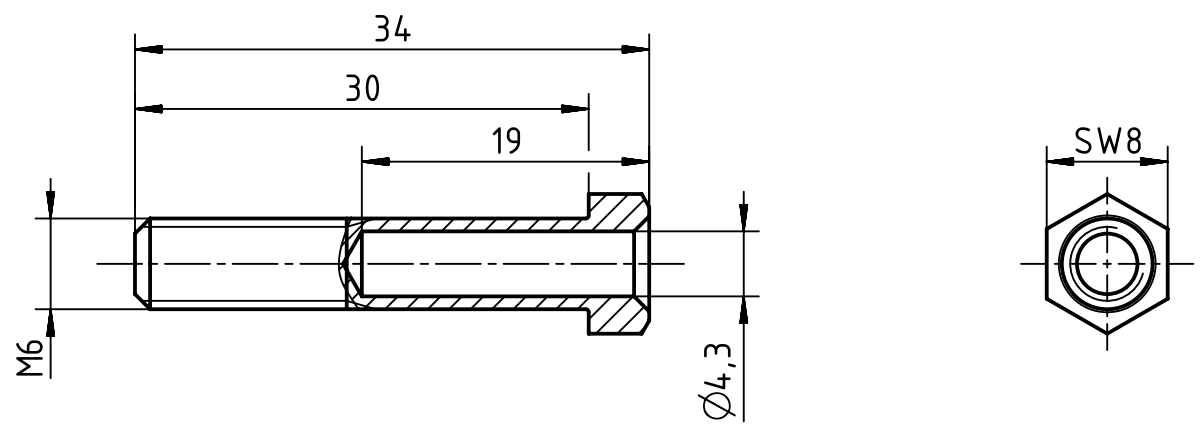
1 2 3 4 5 6


A

B

C

D



	All rights reserved Department EL PD HARTING Electric GmbH & Co. KG D-32339 Espelkamp	All Dimensions in mm Original Size DIN A4	Scale 2:1	Free size tol.		Ref. Sub.	
		Created by LONGL	Inspected by HEW	Standardisation TIEMANNA	Date 2019-12-31	State Final Release	
Title M6x30 guiding bush HPR Enlarged PE frame						Doc-Key / ECM-Nr. 100797613/UGD/001/C 500000162848	
Type TB		Number 09 40 000 9907				Rev. C	Page 1/1