

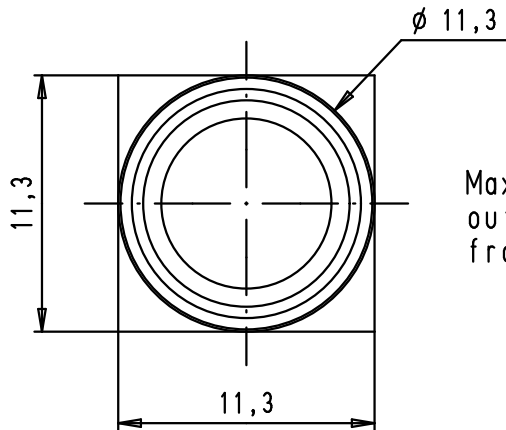
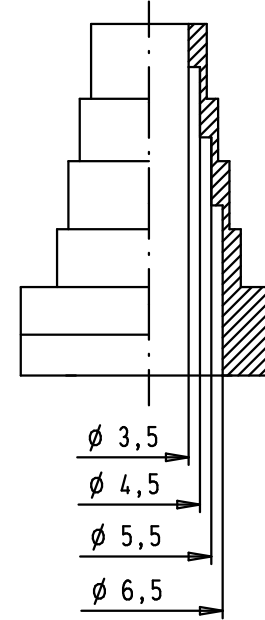
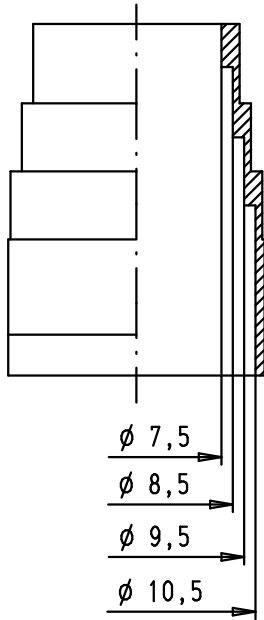
5

4

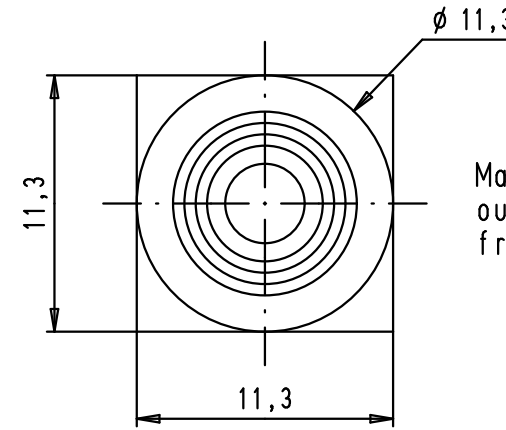
3

2



1



Maximum cable  
outer diameter  
from 7,3 to 10,3 mm



Maximum cable  
outer diameter  
from 3,3 to 6,3 mm

				Dot.	Name	 All Dim. in mm Orig. Size DIN A 4	Metallized plastic grommets for top entry hood	Maßstab/ Scale
			Detail.	25/09/07	PK			3:1
			Insp.					
			Stand.					
34614	25/09/07	PK	HARTING EURL F-95972 Paris				TB 09 67 002 9075	Blatt/ Page
Mod.	Dot.	Name					Sub.	1 1