

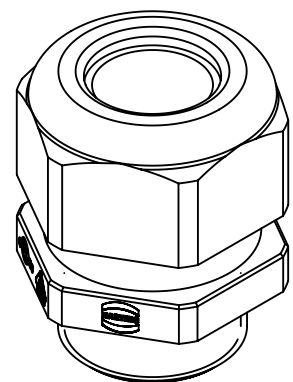
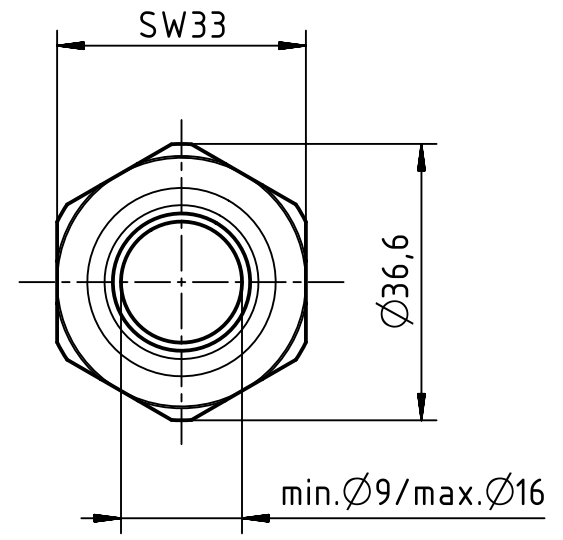
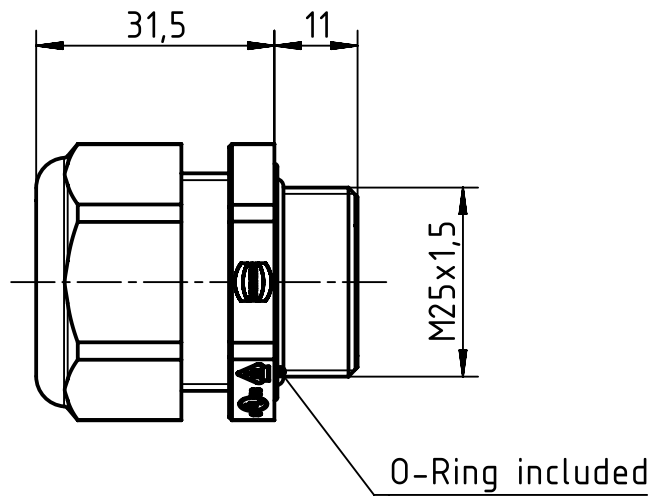
1 2 3 4 5 6

A

B

C

D



	All Dimensions in mm Original Size DIN A4		Scale 1:1	Free size tol.		Ref.		
						Sub.		
	All rights reserved		Created by ILJIN	Inspected by RIEPE	Standardisation TIEMANNA	Date 2016-03-16	State Final Release	
	Department EL PD - DE		Title Han CGM-P-EXi M25 D 9...16mm				Doc-Key / ECM-Nr. 100663102/UGD/008/A 500000101502	
HARTING Electric GmbH & Co. KG D-32339 Espelkamp			Type TB	Number 19 00 000 7104			Rev. A	Page 1/1