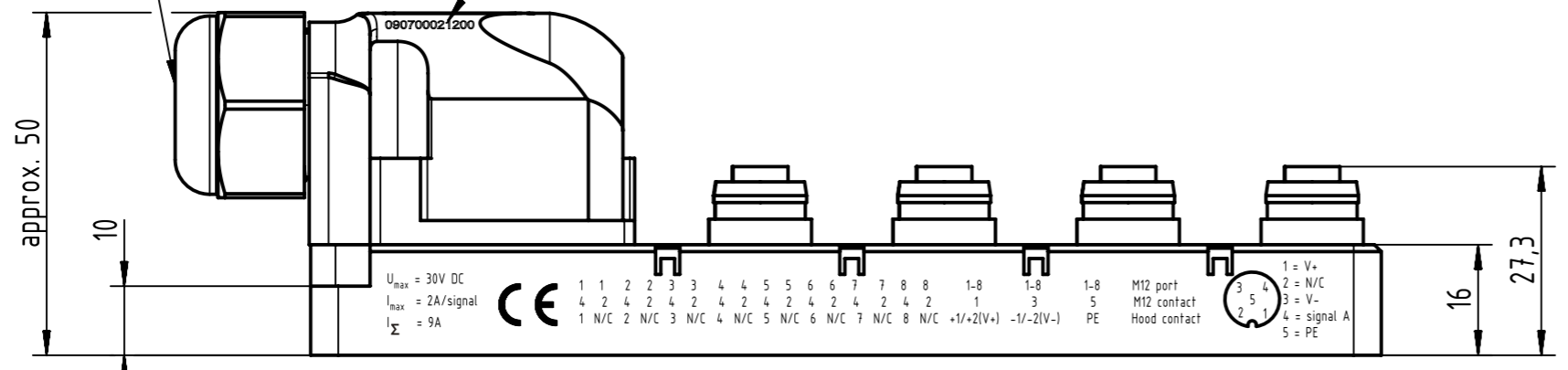
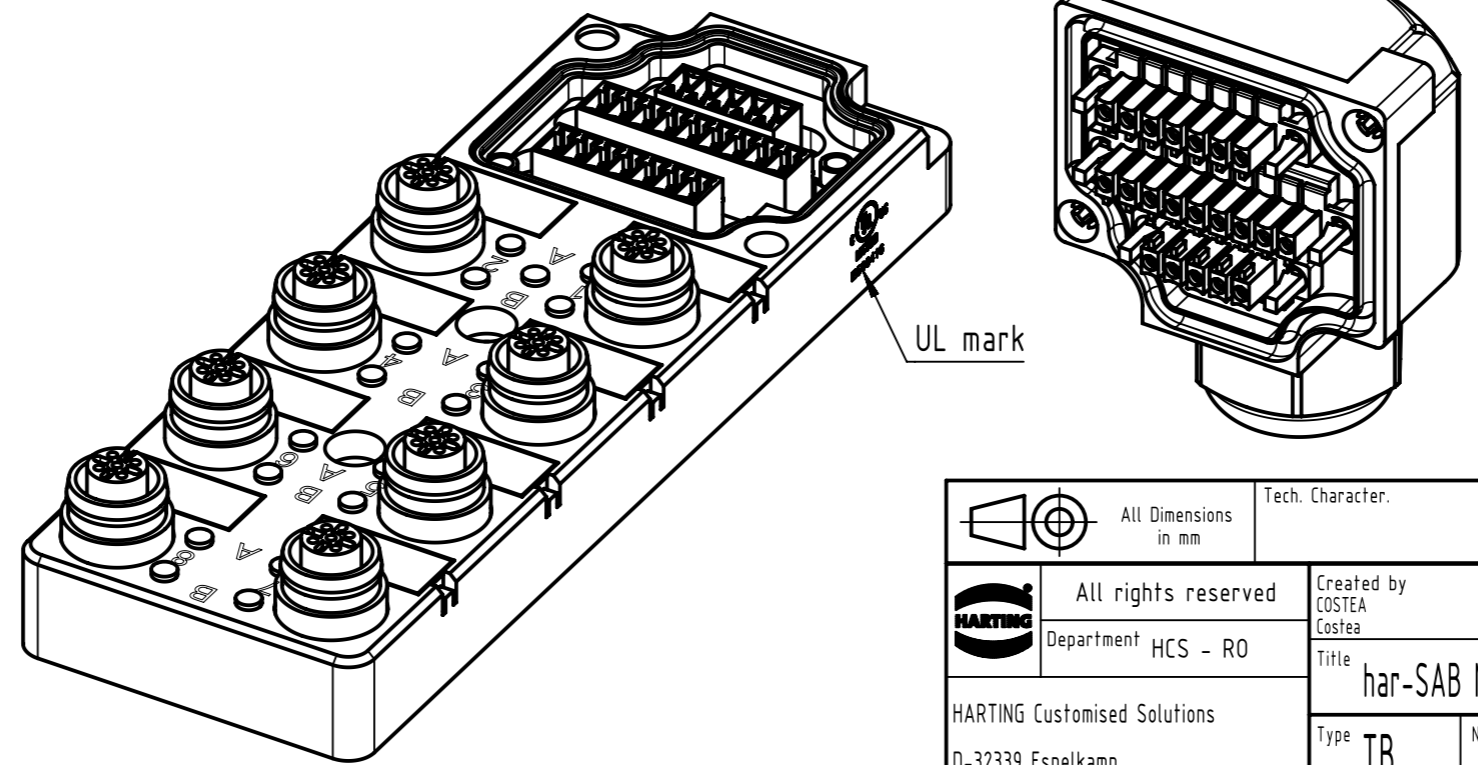
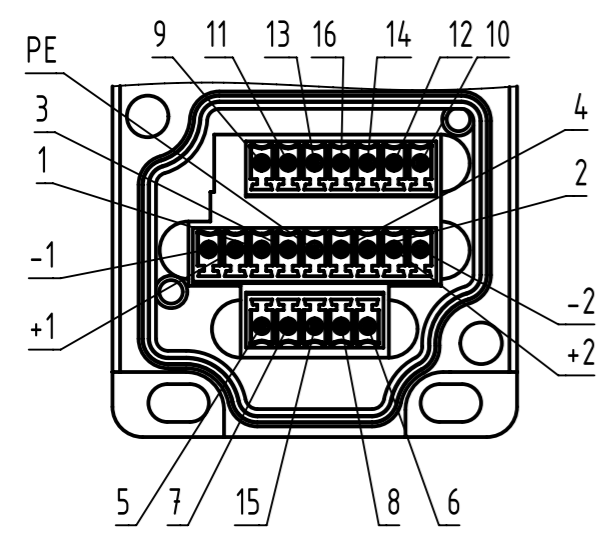
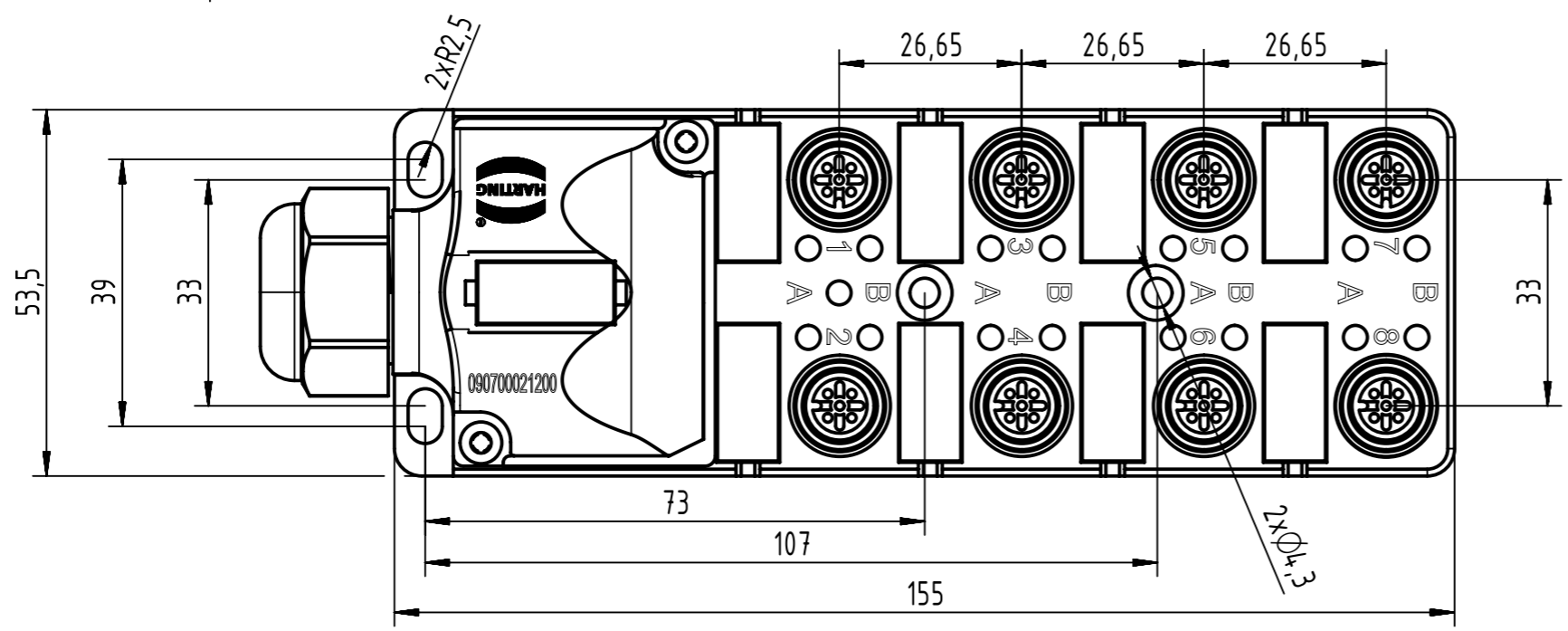
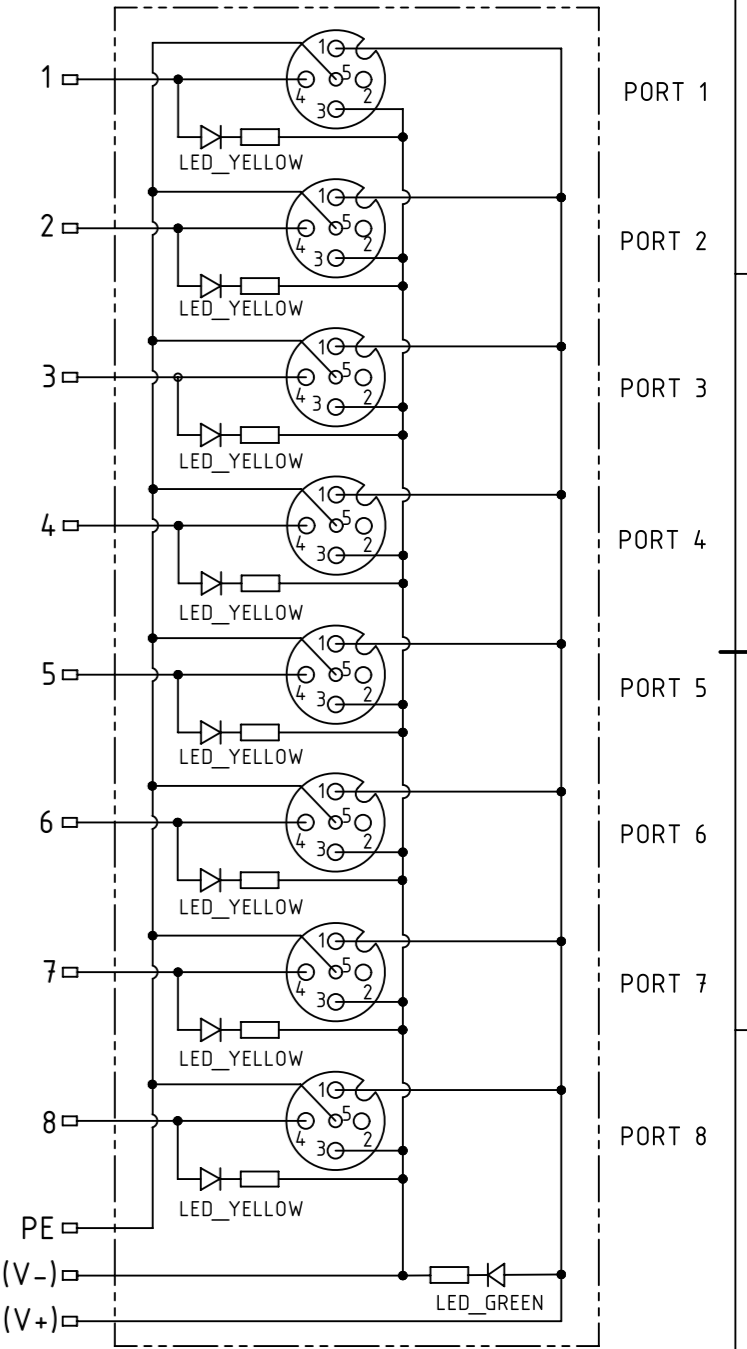


Wire diameter: 8.5 - 14mm

HARTING part no.



Loading plan



- Protection level: IP67
- Temperature range: -25°C ... +85°C

All Dimensions in mm		Tech. Character.		Free size tol.		According to production drawing	
All rights reserved Department HCS - RO		Created by COSTEA Costea	Inspected by 402676 Gross	Standardisation MUNTEANV Muntean	Date 2020-04-14	State Final Release	
HARTING Customised Solutions D-32339 Espelkamp		Title har-SAB M12/8/4p PC		Doc-Key / ECM-Nr. 100831536/UGD/000/C 500000171204		Rev. C	Page 1/1
		Type TB	Number 090700021200				