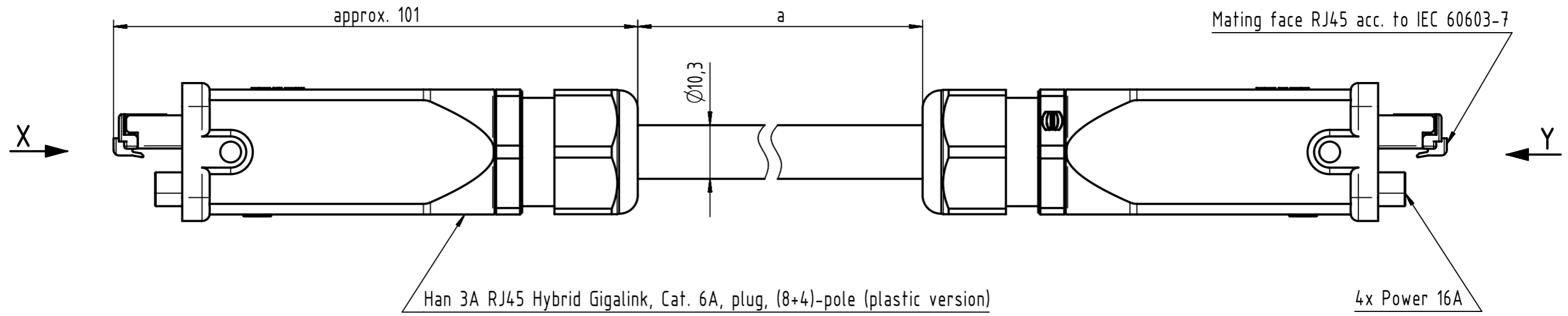


Connector Location A

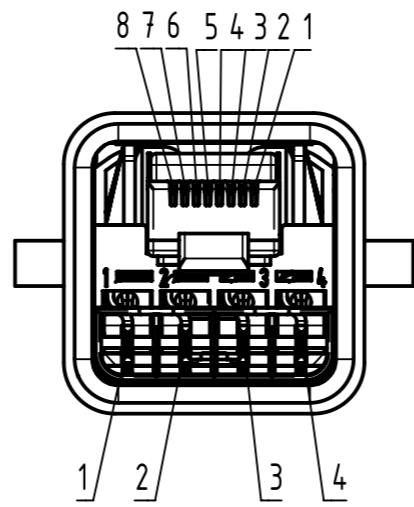
Connector Location B



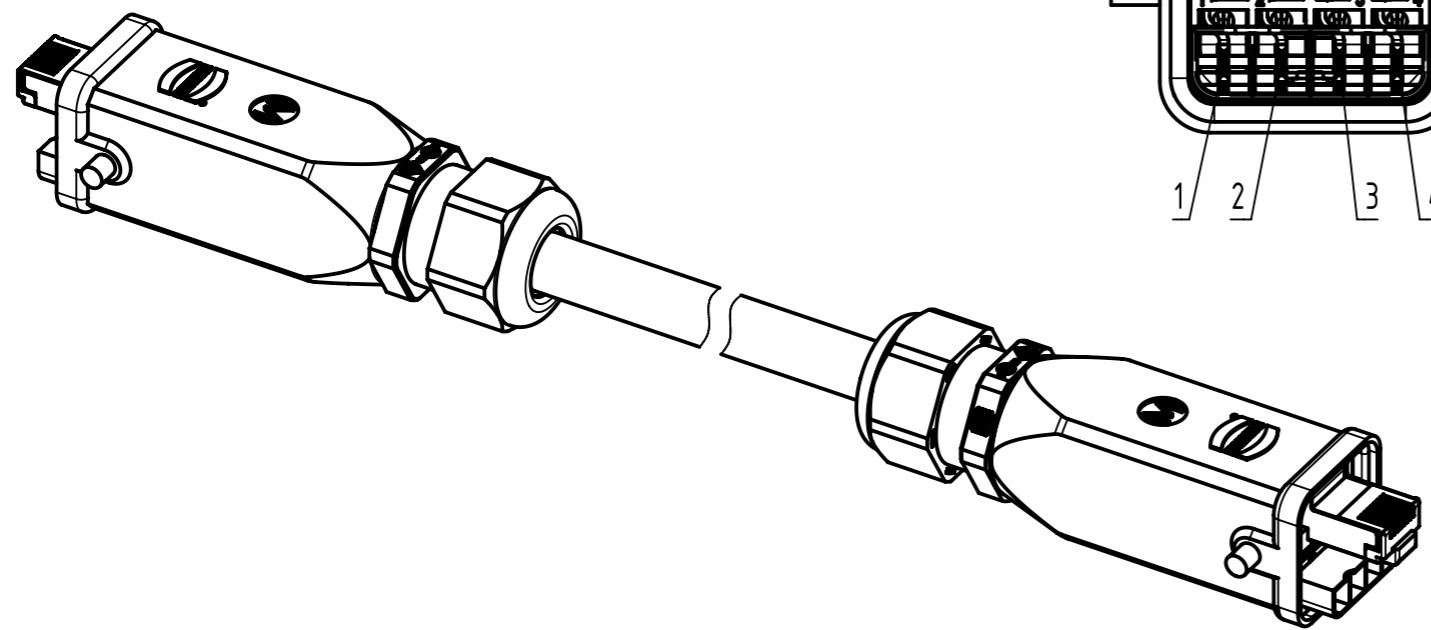
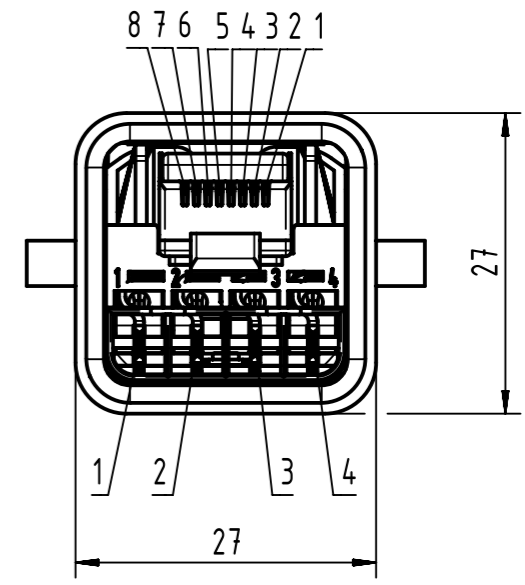
X

Y

Loading-Plan
acc. to TIA/EIA 568B




Shield	
1	white/orange
2	orange
3	white/green
4	blue
5	white/blue
6	green
7	white/brown
8	brown
1	black 1
2	black 2
3	black 3
4	black 4



- Protection level: IP67
- Temperature range: -20°C ... +70°C

	All rights reserved	Created by COSTEA	Inspected by COSTEA	Standardisation MUNTEANV	Date 2017-12-11	State Final Release	
	Department HCS - RO	Title Han 3A RJ45 Hybrid Cable Assembly				Doc-Key / ECM-Nr. 100174924/UGD/006/F 500000128829	
HARTING Customised Solutions D-32339 Espelkamp		Type TB	Number 094572515XX			Rev. F	Page 1/2

1	2	3	4	5	6	7	8															
<div style="display: flex; justify-content: space-between;"> A A </div> <div style="display: flex; justify-content: space-between; margin-top: 100px;"> B B </div> <div style="display: flex; justify-content: space-between; margin-top: 100px;"> C C </div> <div style="display: flex; justify-content: space-between; margin-top: 100px;"> D D </div> <div style="display: flex; justify-content: space-between; margin-top: 100px;"> E E </div> <div style="display: flex; justify-content: space-between; margin-top: 100px;"> F F </div>																						
21	09457251518	Hybrid cable 4x2xAWG26/7 + 4x1.5mm ² , PUR, Cat.6, black	60	 All rights reserved Department HCS - RO HARTING Customised Solutions D-32339 Espelkamp	Tech. Character.		Free size tol.		According to production drawing													
20	09457251517		50		Created by COSTEA		Inspected by COSTEA		Standardisation MUNTEANV		Date 2017-12-11		State Final Release									
19	09457251516		40		Title Han 3A RJ45 Hybrid Cable Assembly		Type TB		Number 094572515XX		Doc-Key / ECM-Nr. 100174924/UGD/006/F 500000128829		Rev. F		Page 2/2							
18	09457251515		30		All Dimensions in mm		Free size tol.		According to production drawing		Title Han 3A RJ45 Hybrid Cable Assembly		Type TB		Number 094572515XX		Doc-Key / ECM-Nr. 100174924/UGD/006/F 500000128829		Rev. F		Page 2/2	
17	09457251521		25		Free size tol.		According to production drawing		Title Han 3A RJ45 Hybrid Cable Assembly		Type TB		Number 094572515XX		Doc-Key / ECM-Nr. 100174924/UGD/006/F 500000128829		Rev. F		Page 2/2			
16	09457251514		20		Title Han 3A RJ45 Hybrid Cable Assembly		Type TB		Number 094572515XX		Doc-Key / ECM-Nr. 100174924/UGD/006/F 500000128829		Rev. F		Page 2/2							
15	09457251513		15		Title Han 3A RJ45 Hybrid Cable Assembly		Type TB		Number 094572515XX		Doc-Key / ECM-Nr. 100174924/UGD/006/F 500000128829		Rev. F		Page 2/2							
14	09457251519		12		Title Han 3A RJ45 Hybrid Cable Assembly		Type TB		Number 094572515XX		Doc-Key / ECM-Nr. 100174924/UGD/006/F 500000128829		Rev. F		Page 2/2							
13	09457251512		10		Title Han 3A RJ45 Hybrid Cable Assembly		Type TB		Number 094572515XX		Doc-Key / ECM-Nr. 100174924/UGD/006/F 500000128829		Rev. F		Page 2/2							
12	09457251511		9		Title Han 3A RJ45 Hybrid Cable Assembly		Type TB		Number 094572515XX		Doc-Key / ECM-Nr. 100174924/UGD/006/F 500000128829		Rev. F		Page 2/2							
11	09457251510		8		Title Han 3A RJ45 Hybrid Cable Assembly		Type TB		Number 094572515XX		Doc-Key / ECM-Nr. 100174924/UGD/006/F 500000128829		Rev. F		Page 2/2							
10	09457251509		7		Title Han 3A RJ45 Hybrid Cable Assembly		Type TB		Number 094572515XX		Doc-Key / ECM-Nr. 100174924/UGD/006/F 500000128829		Rev. F		Page 2/2							
9	09457251508		6		Title Han 3A RJ45 Hybrid Cable Assembly		Type TB		Number 094572515XX		Doc-Key / ECM-Nr. 100174924/UGD/006/F 500000128829		Rev. F		Page 2/2							
8	09457251507		5		Title Han 3A RJ45 Hybrid Cable Assembly		Type TB		Number 094572515XX		Doc-Key / ECM-Nr. 100174924/UGD/006/F 500000128829		Rev. F		Page 2/2							
7	09457251506		4		Title Han 3A RJ45 Hybrid Cable Assembly		Type TB		Number 094572515XX		Doc-Key / ECM-Nr. 100174924/UGD/006/F 500000128829		Rev. F		Page 2/2							
6	09457251520		3.5		Title Han 3A RJ45 Hybrid Cable Assembly		Type TB		Number 094572515XX		Doc-Key / ECM-Nr. 100174924/UGD/006/F 500000128829		Rev. F		Page 2/2							
5	09457251505		3		Title Han 3A RJ45 Hybrid Cable Assembly		Type TB		Number 094572515XX		Doc-Key / ECM-Nr. 100174924/UGD/006/F 500000128829		Rev. F		Page 2/2							
4	09457251504		2		Title Han 3A RJ45 Hybrid Cable Assembly		Type TB		Number 094572515XX		Doc-Key / ECM-Nr. 100174924/UGD/006/F 500000128829		Rev. F		Page 2/2							
3	09457251503		1.5		Title Han 3A RJ45 Hybrid Cable Assembly		Type TB		Number 094572515XX		Doc-Key / ECM-Nr. 100174924/UGD/006/F 500000128829		Rev. F		Page 2/2							
2	09457251502		1		Title Han 3A RJ45 Hybrid Cable Assembly		Type TB		Number 094572515XX		Doc-Key / ECM-Nr. 100174924/UGD/006/F 500000128829		Rev. F		Page 2/2							
1	09457251501		0.5		Title Han 3A RJ45 Hybrid Cable Assembly		Type TB		Number 094572515XX		Doc-Key / ECM-Nr. 100174924/UGD/006/F 500000128829		Rev. F		Page 2/2							
Cont. no.	Part no.	Type of cable	Dim. a[m]																			
1	2	3	4	5	6	7	8															