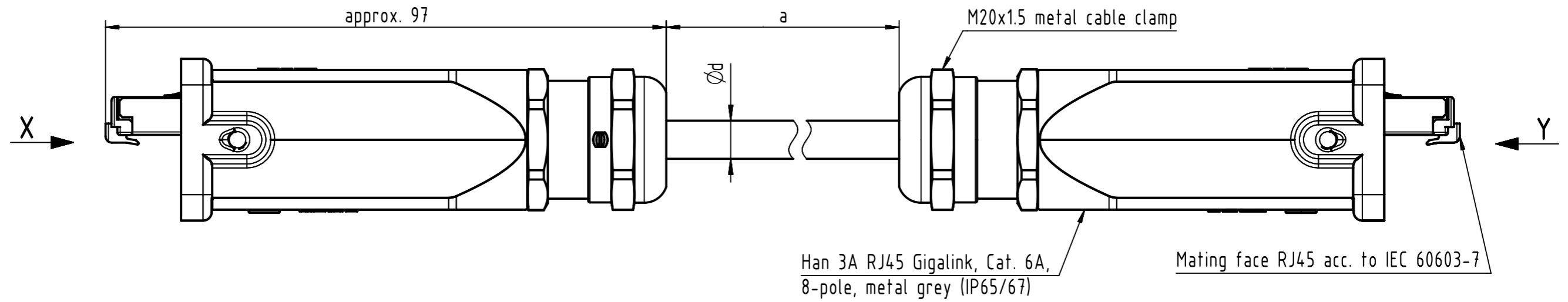


Connector Location A

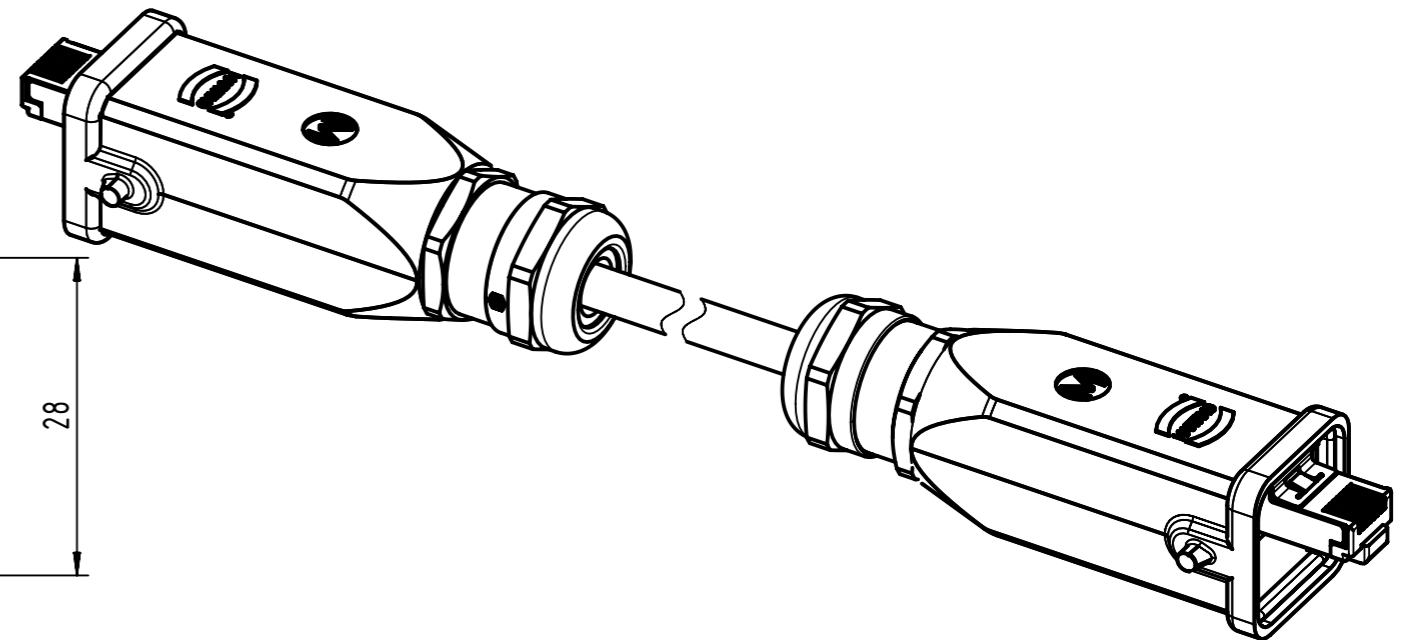
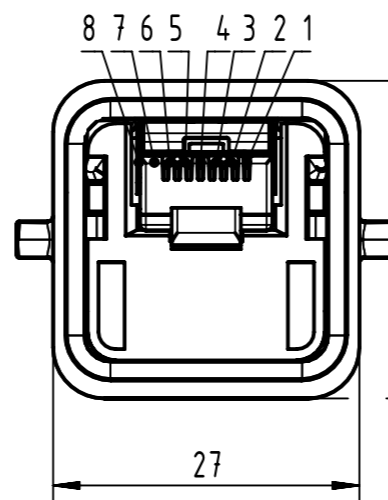
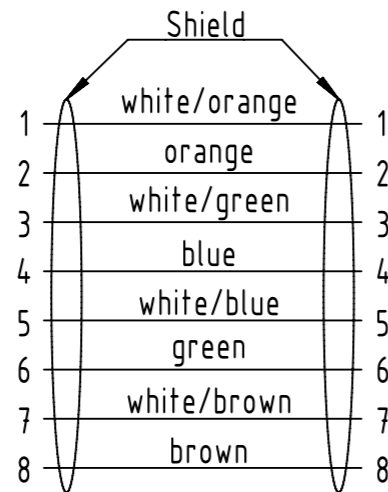
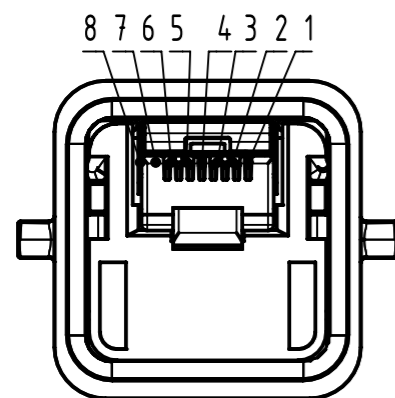
Connector Location B



X
male

Loading Plan
acc. to TIA/EIA 568B

Y
male



- Protection level: IP65/67
- Temperature range: see next page

	All rights reserved Department HCS - RO HARTING Customised Solutions D-32339 Espelkamp	All Dimensions in mm	Tech. Character.	Free size tol.	According to production drawing
		Created by 405181 Hadar	Inspected by 402676 Gross	Standardisation COSTEA Costea	Date 2021-11-12
		Title Han 3A RJ45 Cable Assembly			Doc-Key / ECM-Nr. 100155415/UGD/012/L 500000205994
		Type TB	Number 094571515XX		Rev. L Page 1/2

Cont. no.	Part no.	Type of cable	Dim. d [mm]	Temp. range	Dim. a[m]
36	09457151578	RJ45 Ethernet Stranded Cable, 4x2xAWG 26/7, PUR, Cat. 6A, yellow	Ø6.7	- Fixed installation: -40°C ... +70°C - Dynamic installation: -40°C ... +70°C	100*
35	09457151577				40
34	09457151576				30
33	09457151575				25
32	09457151574				20
31	09457151573				15
30	09457151572				10
29	09457151571				9
28	09457151570				8
27	09457151569				7
26	09457151568				6
25	09457151567				5
24	09457151566				4
23	09457151565				3
22	09457151564				2
21	09457151563				1.5
20	09457151562				1
19	09457151561				0.5
18	09457151553				HARTING IE Cat.6A 4x2xAWG 26/7 PVC yellow
17	09457151552	15			
16	09457151551	10			
15	09457151532	30			
14	09457151531	9			
13	09457151530	8			
12	09457151529	7			
11	09457151528	6			
10	09457151527	5			
9	09457151535	4.4			
8	09457151526	4			
7	09457151534	3.4			
6	09457151525	3			
5	09457151533	2.2			
4	09457151524	2			
3	09457151523	1.5			
2	09457151522	1			
1	09457151521	0.5			

NOTE:

* Cat.6A 10 Gbit/s Ethernet transmission possible for lengths up to 45m

Cont. no.	Part no.	Type of cable	Dim. d [mm]	Temp. range	Dim. a[m]
50	09457151594	RJ45 Ethernet Stranded Cable, 4x2xAWG 26/7, PVC, outdoor, Cat. 6A, black	Ø6.6	- Fixed installation: -20°C ... +70°C - Dynamic installation: -20°C ... +70°C	20
49	09457151593				15
48	09457151592				10
47	09457151591				9
46	09457151590				8
45	09457151589				7
44	09457151588				6
43	09457151587				5
42	09457151586				4
41	09457151585				3
40	09457151584				2
39	09457151583				1.5
38	09457151582				1
37	09457151581				0.5



All Dimensions in mm

Tech. Character.

Free size tol.

According to production drawing



All rights reserved
Department HCS - RO

Created by
405181
Hadar

Inspected by
402676
Gross

Standardisation
COSTEA
Costea

Date
2021-11-12

State
Final Release

HARTING Customised Solutions
D-32339 Espelkamp

Title
Han 3A RJ45 Cable Assembly

Type TB Number 094571515XX

Doc-Key / ECM-Nr.
100155415/UGD/012/L
500000205994

Rev. L Page 2/2