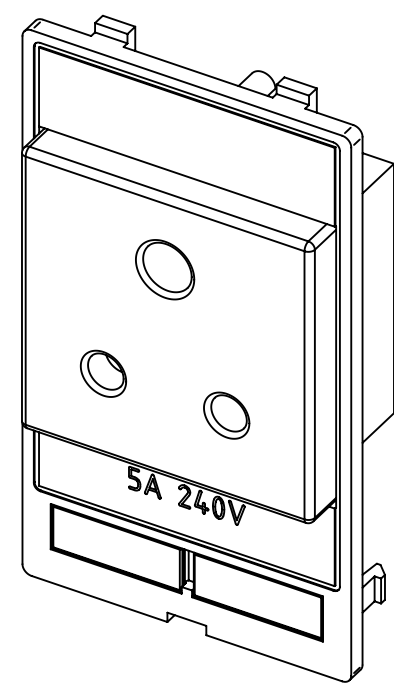
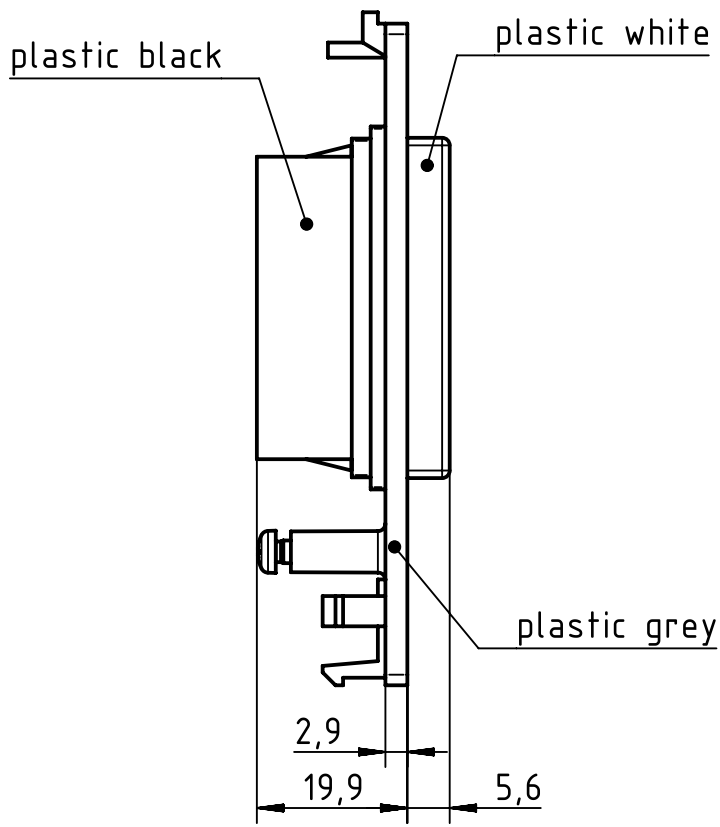
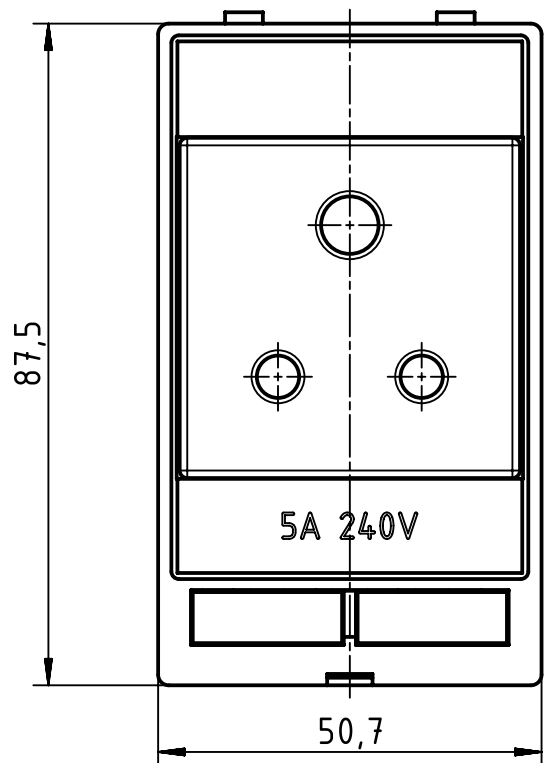
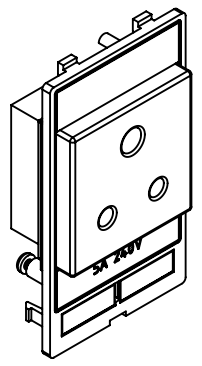


1 2 3 4 5 6

A
B
C
D



assembly instruction enclosed



Coating	A=	mm ²	V=	mm ³	m=	g	Mat.
	All Dimensions in mm Original Size DIN A4		Scale 1:1	Free size tol.			Ref.
							Sub.
	All rights reserved	Created by FINKEV	Inspected by BERGHORN	Standardisation RUETERA	Date 2018-02-15	State Final Release	
Department EL PD - DE		Title Plug socket module India				Doc-Key / ECM-Nr. 100211345/UGD/004/B 5000001314.17	
HARTING Electric GmbH & Co. KG D-32339 Espelkamp		Type TB	Number 39 50 001 0321			Rev. B	Page 1/1