

# METALLIZED POLYESTER FILM CAPACITOR

Suntan®

NON-INDUCTIVE, EXTENDED FOIL, DIP COATED, HIGH MOISTURE RESISTANCE

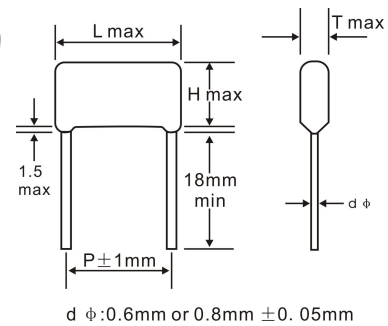
## FEATURES

# TS02

- High reliable with its Self-Healing performance.
- Coated with epoxy resin for superior heat resistance, humidity resistance and solvent resistance.
- Good reputation in use with filtering, DC blocking coupling and general communication equipment,

## SPECIFICATIONS

OPERATING TEMPERATURE	-40°C TO + 85°C
RATED VOLTAGE	DC 100V, 250V, 400V, 630V
CAPACITANCE RANGE	0.01 TO 6.8μF
CAPACITANCE TOLERANCE	±5%, ±10%, ±20%
INSULATION RESISTANCE	$U_R \leq 100V \quad C \leq 0.33\mu F \geq 3750M\Omega$ $C > 0.33\mu F \geq 1250S$ $U_R > 100V \quad C \leq 0.33\mu F \geq 7500M\Omega$ $C > 0.33\mu F \geq 5000S$
DISSIPATION FACTOR	(20°C 100VDC 60SEC) P.S: $T[s] = I.R. [M\Omega] * C_N [\mu F]$ $\leq 0.01$ (AT 1KHZ)



d φ: 0.6mm or 0.8mm ± 0.05mm

VDC Mfd	100V (2A)				250V (2E)				400V (2G)				630V (2J)			
	L	T	H	P	L	T	H	P	L	T	H	P	L	T	H	P
0.01	14	5.5	10	10	14	4.8	9	10	14	4.8	9	10	14	4.8	9	10
0.015	14	5.7	10	10	14	6.5	10	10	14	6.5	10	10	14	5.7	9.6	10
0.018	14	5.9	10	10	14	6.5	10	10	14	6.5	10	10	14	5.9	10	10
0.022	14	6	10	10	14	6.5	10	10	14	6.5	10	10	14	6	10	10
0.027	14	6.3	10	10	14	6.5	10	10	14	6.5	10	10	14	6.3	9.5	10
0.033	14	6.8	10	10	14	6.8	10	10	14	6.8	10	10	14	6.8	10	10
0.039	14	6	10	10	14	6.5	10	10	14	6.5	10	10	14	6	10	10
0.047	14	6.5	10.5	10	14	6.5	10.5	10	14	6.5	10.5	10	14	6.5	10.5	10
0.056	14	5.8	10	10	14	5.8	9	10	14	6.5	10	10	14	9	12	10
0.068	14	6	10	10	14	6.5	10	10	14	6.5	10	10	14	9	13	10
0.082	14	6.5	10.4	10	14	6.5	10.4	10	14	6.5	10.4	10	14	9	13	10
0.1	14	7	10.8	10	14	7	10.8	10	14	7	10.8	10	14	9	14	10
0.15	14	7	11	10	14	7	11	10	14	8.5	13	10	18	8.5	14.5	15
0.18	14	7.6	11	10	14	7.6	11	10	14	8	12	15	18	9.5	14.5	15
0.22	14	7.2	11	10	14	8.5	12.5	10	14	8.5	12.5	10	14	10.5	15	15
0.27	14	8	11.5	10	14	8	11.5	10	14	8	11.5	10	14	9	15	20
0.33	14	8	11	10	14	8.5	14	10	14	9	14	15	14	10	16.5	20
0.39	14	8	12.1	10	14	8	12.1	10	14	9.5	12	15	14	10	16.5	20
0.47	14	8	11	10	14	8.5	14	10	14	9	14	15	14	10	16.5	20
0.5	14	8	11	10	14	8.5	14	10	14	9	14	15	14	10	16.5	20
0.56	14	8	11	10	14	8.5	14	10	14	9	14	15	14	10	16.5	20
0.68	14	8	11	10	14	8.5	14	10	14	9	14	15	14	10	16.5	20
0.82	14	8	11	10	14	8.5	14	10	14	9	14	15	14	10	16.5	20
1	14	8	11	10	14	8.5	14	10	14	9	14	15	14	10	16.5	20
1.2	14	8	11	10	14	8.5	14	10	14	9	14	15	14	10	16.5	20
1.5	14	8	11	10	14	8.5	14	10	14	9	14	15	14	10	16.5	20
1.8	14	8	11	10	14	8.5	14	10	14	9	14	15	14	10	16.5	20
2	14	8	11	10	14	8.5	14	10	14	9	14	15	14	10	16.5	20
2.2	14	8	11	10	14	8.5	14	10	14	9	14	15	14	10	16.5	20
2.5	14	8	11	10	14	8.5	14	10	14	9	14	15	14	10	16.5	20
2.7	14	8	11	10	14	8.5	14	10	14	9	14	15	14	10	16.5	20
2.9	14	8	11	10	14	8.5	14	10	14	9	14	15	14	10	16.5	20
3	14	8	11	10	14	8.5	14	10	14	9	14	15	14	10	16.5	20
3.3	14	8	11	10	14	8.5	14	10	14	9	14	15	14	10	16.5	20
4.5	14	8	11	10	14	8.5	14	10	14	9	14	15	14	10	16.5	20

Note: Specification are subject to change without notice. For more detail and update, please visit our website.