

Features

- IEC/EN/UL 62368-1 3rd edition
- 100-240VAC Universal Input
- Regulated Output With Low Ripple Noise
- ErP Stage 2, DoE Level VI
- No Load Power Consumption < 0.1 W
- Regulated Output with Low Ripple Noise
- 1 Year Warranty



P: C6 or C14 Inlet (Protection Class I)

Marks / Approvals

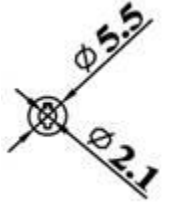
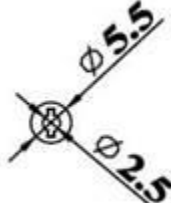
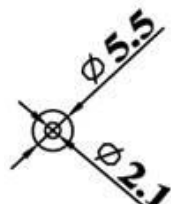
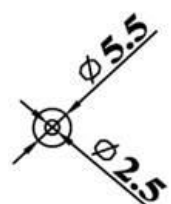


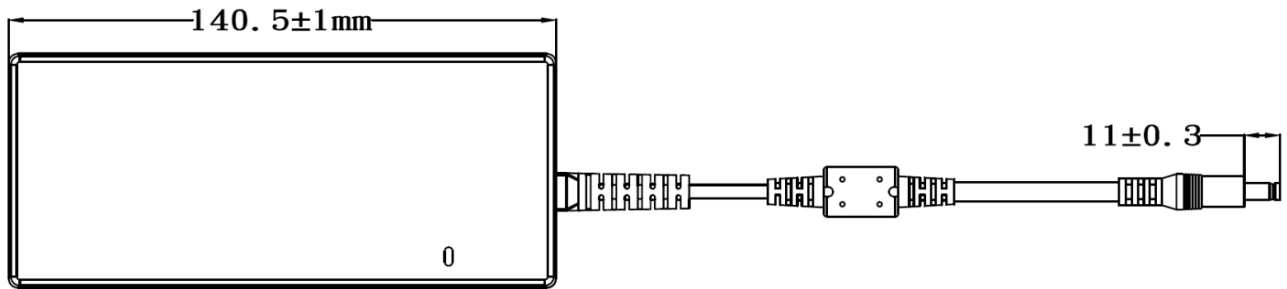
Specifications

	MODEL	Voltage	Min. Load	Max. Load	Max. Power
	ATS 120A1-P120	12 V	0.0 A	9.00 A	108 W
	ATS 120A1-P150	15 V	0.0 A	8.00 A	120 W
	ATS 120A1-P160	16 V	0.0 A	7.50 A	120 W
	ATS 120A1-P190	19 V	0.0 A	6.30 A	120 W
	ATS 120A1-P240	24 V	0.0 A	5.00 A	120 W
	ATS 120A1-P480	48 V	0.0 A	2.50 A	120 W
	ATS 120A1-P560	56 V	0.0 A	2.14 A	120 W
INPUT	Voltage	AC 100 V – 240 V			
	Frequency	50 Hz - 60 Hz			
	Current	1.60 A max.			
	Protection	Internal Primary Current Fuse, Inrush Limiting			
OUTPUT	Load Regulation	± 5 % (typical)			
	Ripple & Noise	2 % V p-p max. for output voltage at full load			
	Transient Response	0.5 ms for 50 % load change typical			
	Leakage Current	Protection Class I: 3.5 mA max.			
	Protection	Short circuit Protection • Over Voltage Protection • Over Current Protection			
OTHERS	Cooling	Convection			
	Efficiency	DoE Level VI • ErP Stage 2			
	Holdup Time	10 ms at full load			
	Dielectric Withstand	AC 3000 V Primary – Secondary			
	MTBF	300,000 calculated hours at 25 °C by Telcordia SR-332			
ENVIRONMENT	Temperature	Operating: -20 °C – 40 °C / Storage: -20 °C – 80 °C			
	Humidity	Operating: 20 % RH – 80 % RH / Storage: 10 % RH – 90 % RH			
EMI Conduction & Radiation	Compliance to EN 55032 Class B				
Harmonic Current	Compliance to EN 61000-3-2, EN 61000-3-3				
EMS Immunity	Compliance to EN 55035				
Safety	IEC / EN / UL 62368-1 • PSE • BSMI				
Case Dimensions	140.5 mm × 60 mm × 35 mm				
Weight	390 g				

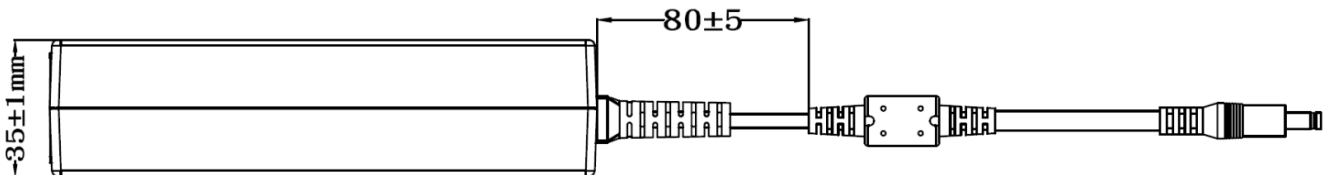
Output Cable and Plug Configurations

Output Current: < 9 A

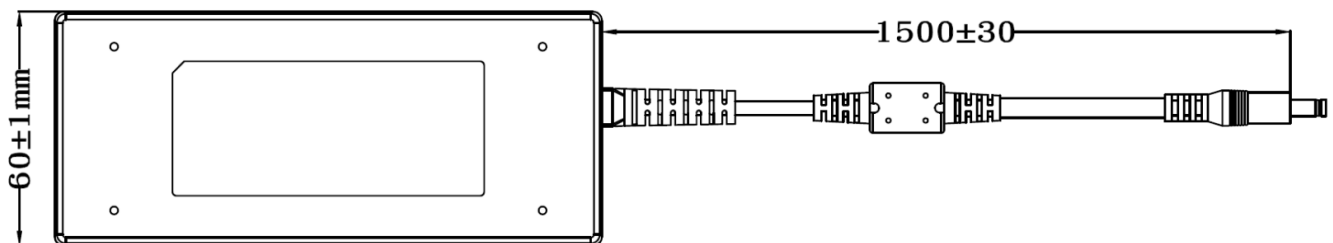
	5.5x2.1mm	5.5x2.5mm	Ouput Current
With Tuning Fork (spring)			5A or Less than 5A
Without Tuning Fork (spring)			Over 5A, up to 9A



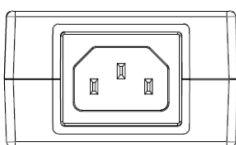
TOP-VIEW



SIDE-VIEW



BOTTOM-VIEW



FRONT-VIEW

Output Current: > 10 A

Cable type : Black UL11352 16 AWG

(wire + plug)

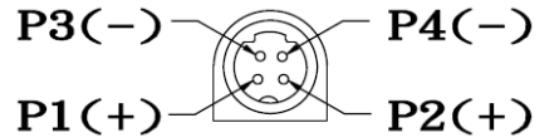
Plug : 4 Pin Din

Cable length : 1200 mm

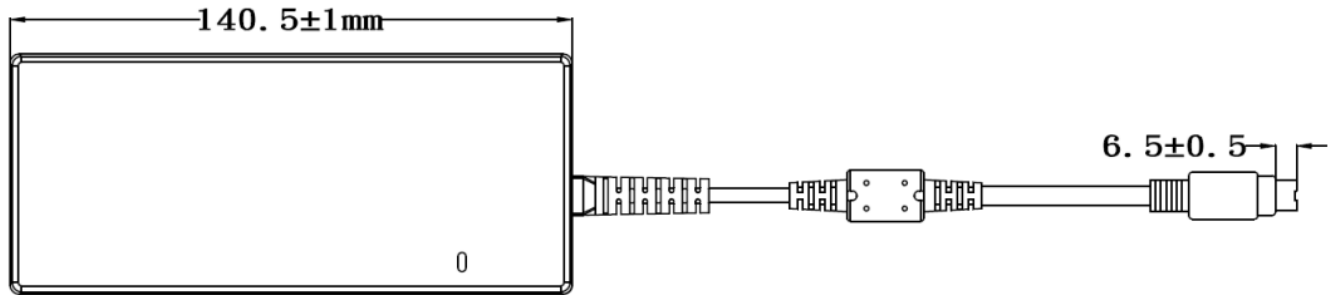
Case dimension : 140.5 (L) * 60.0 (W) * 35.0 (H) mm ± 1 mm

Material flammability : UL 94V-0

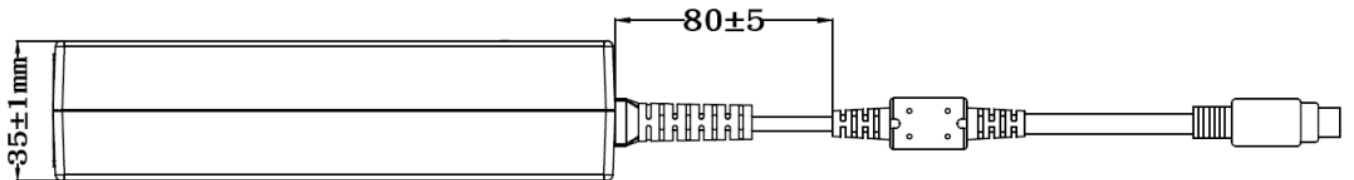
External appearance : As drawing below (scale → mm)



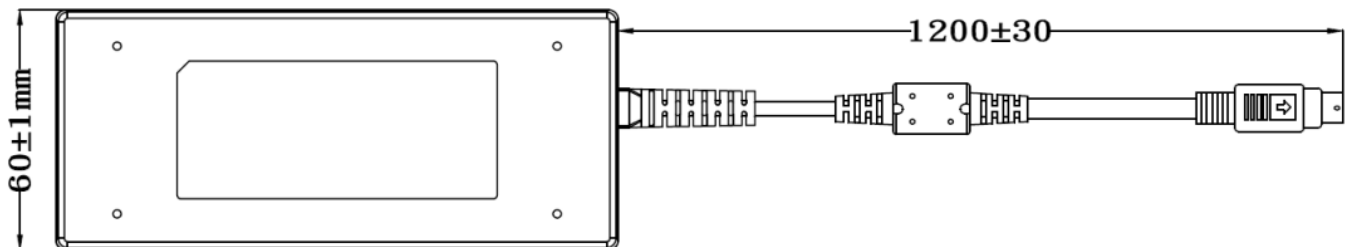
Output cable plug pin assignment



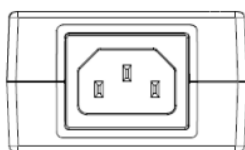
TOP-VIEW



SIDE-VIEW



BOTTOM-VIEW



FRONT-VIEW