



### 1 Operating Instructions for download

Use the link [www.conrad.com/downloads](http://www.conrad.com/downloads) (alternatively scan the QR code) to download the complete operating instructions (or new/current versions if available). Follow the instructions on the web page.

### 2 Intended use

The product is a Tuya Wi-Fi, Zigbee and Bluetooth Gateway. Use the product to connect compatible Zigbee and Bluetooth endpoint devices to the Internet and facilitate communication between them. Use the mobile app **Tuya Smart** or **Smart Life/Smart Living** to control the devices from a single dashboard.

The product is intended for indoor use only. Do not use it outdoors.

Contact with moisture must be avoided under all circumstances.

If you use the product for purposes other than those described, the product may be damaged.

Improper use can result in short circuits, fires, electric shocks or other hazards.

The product complies with the statutory national and European requirements.

For safety and approval purposes, you must not rebuild and/or modify the product.

Read the operating instructions carefully and store them in a safe place. Make this product available to third parties only together with the operating instructions.

All company names and product names are trademarks of their respective owners. All rights reserved.

### 3 Delivery contents

- Product
- Operating instructions

### 4 Description of symbols

The following symbols are on the product/appliance or are used in the text:



Read the operating instructions carefully.



The symbol warns of hazards that can lead to personal injury.



The symbol warns of dangerous voltage that can lead to personal injury by electric shock.



Protection class 2 (double or reinforced insulation, protective insulation).

### 5 Safety instructions



**Read the operating instructions carefully and especially observe the safety information. If you do not follow the safety instructions and information on proper handling, we assume no liability for any resulting personal injury or damage to property. Such cases will invalidate the warranty/guarantee.**

#### 5.1 General

- The product is not a toy. Keep it out of the reach of children and pets.
- Do not leave packaging material lying around carelessly. This may become dangerous playing material for children.
- If you have questions which remain unanswered by this information product, contact our technical support service or other technical personnel.
- Maintenance, modifications and repairs must only be completed by a technician or an authorised repair centre.

#### 5.2 Handling

- Handle the product carefully. Jolts, impacts or a fall even from a low height can damage the product.

#### 5.3 Operating environment

- Do not place the product under any mechanical stress.
- Protect the appliance from extreme temperatures, strong jolts, flammable gases, steam and solvents.
- Protect the product from high humidity and moisture.
- Protect the product from direct sunlight.

#### 5.4 Operation

- Consult an expert when in doubt about the operation, safety or connection of the product.

- If it is no longer possible to operate the product safely, take it out of operation and protect it from any accidental use. DO NOT attempt to repair the product yourself. Safe operation can no longer be guaranteed if the product:

- is visibly damaged,
- is no longer working properly,
- has been stored for extended periods in poor ambient conditions or
- has been subjected to any serious transport-related stresses.

### 5.5 Electrical safety



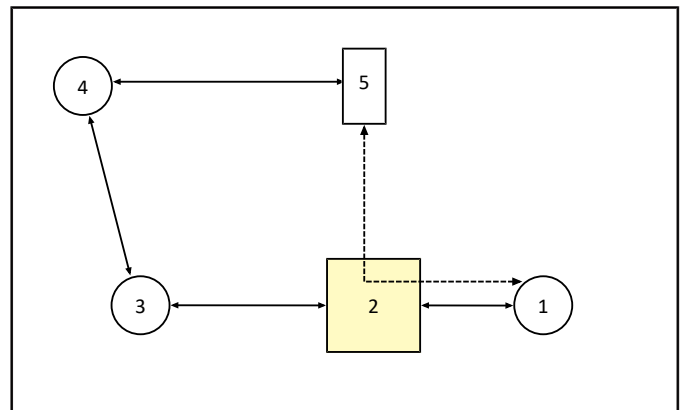
Do not modify or repair mains supply components including mains plugs, mains cables, and power supplies. Do not use damaged components. Risk of death by electric shock!

- Connect the product to a mains socket that can be accessed easily.
- Only connect the product to a mains socket connected to the public supply. Before connecting, check whether the voltage stated on the rating plate complies with the voltage of your electricity supplier.
- Never connect or disconnect the product if your hands are wet. There is a risk of electric shock.
- For safety reasons, disconnect the product from the mains socket during storms.
- Do not touch the product if there are any signs of damage, as this may cause a fatal electric shock! Take the following steps:
  - Switch off the mains supply to the product (switch off the corresponding circuit breaker or remove the safety fuse, and then switch off the corresponding RCD protective switch).
  - Remove the product from the mains socket.
  - Do not use the product again. Prevent others from using it.

### 5.6 Connected devices

- Also observe the safety and operating instructions of any other devices which are connected to the product.

### 6 How it works



- |   |                 |   |            |
|---|-----------------|---|------------|
| 1 | Endpoint device | 2 | Gateway    |
| 3 | Wi-Fi router    | 4 | Tuya cloud |
| 5 | Mobile app      |   |            |

The mobile app will communicate with the end point device indirectly via the Tuya cloud and the gateway.

### 7 Operation

#### 7.1 Connecting the gateway to the Tuya cloud

Connect the gateway to the Tuya cloud via a Wi-Fi network with Internet access so that you can control the gateway via the mobile app.

Preconditions:

- The TUYA mobile app "Smart Life - Smart Living" is installed on your mobile device.
- The product is within the range of the Wi-Fi network.

- On your mobile device, activate Wi-Fi.
- Connect your mobile device to the Wi-Fi network to which you intend to connect the product.
- On the product, activate the Wi-Fi mode by holding down the button (approx. 5 s) until the indicator light blinks red.
  - The Wi-Fi mode is activated.
- Open the mobile app.
- Tap on + to add a new product.
- Wait for the auto scan function to list the product.
- Follow the on-screen instructions to add the product.
- (If connection fails) reset the product by holding down the button (approx. 5 s) until the indicator light blinks red. Restart the connection procedure.

- You have added the product to the mobile app.
- You have connected the product to the Wi-Fi network.
- If the product is connected to the Wi-Fi network, the red indicator light is lit solid.
- If the product is NOT connected to the Wi-Fi network, the red indicator light is off.

## 7.2 Connecting end point devices to the gateway

After you have connected the gateway to the Tuya cloud, you can connect compatible end-point devices to the gateway and access them in the mobile app.

Preconditions:

- ✓ The gateway is connected to the Wi-Fi network.
  - ✓ The red indicator light on the gateway is lit solid.
1. Move the endpoint device close to the gateway.
  2. Put the endpoint device into pairing mode. Refer to the endpoint device operating instruction.
  3. Open the mobile app.
  4. In the mobile app, tap the gateway.
  5. Select **Bluetooth** or **Zigbee** based on the protocol the endpoint device supports.
    - The endpoint device might be listed instantly and the pairing procedure complete.
  6. (If not paired already) activate the device pairing mode by tapping **Add devices**.
    - The blue indicator light on the gateway flashes.
  7. Follow the on-screen instructions to pair the endpoint device.
    - After successful pairing, the blue indicator light on the gateway is lit solid.

## 8 Cleaning

### Important:

- Do not use aggressive cleaning agents, rubbing alcohol or other chemical solutions. They damage the housing and can cause the product to malfunction.
- Do not immerse the product in water.

1. Disconnect the product from the power supply.
2. Let the product cool down to ambient temperature.
3. Clean the product with a dry, fibre-free cloth.

## 9 Declaration of Conformity (DOC)

Conrad Electronic SE, Klaus-Conrad-Straße 1, D-92240 Hirschau hereby declares that this product conforms to the 2014/53/EU directive.

- Click on the following link to read the full text of the EU declaration of conformity: [www.conrad.com/downloads](http://www.conrad.com/downloads)

Enter the product item number in the search box. You can then download the EU declaration of conformity in the available languages.

## 10 Disposal



This symbol must appear on any electrical and electronic equipment placed on the EU market. This symbol indicates that this device should not be disposed of as unsorted municipal waste at the end of its service life.

Owners of WEEE (Waste from Electrical and Electronic Equipment) shall dispose of it separately from unsorted municipal waste. Spent batteries and accumulators, which are not enclosed by the WEEE, as well as lamps that can be removed from the WEEE in a non-destructive manner, must be removed by end users from the WEEE in a non-destructive manner before it is handed over to a collection point.

Distributors of electrical and electronic equipment are legally obliged to provide free take-back of waste. Conrad provides the following return options **free of charge** (more details on our website):

- in our Conrad offices
- at the Conrad collection points
- at the collection points of public waste management authorities or the collection points set up by manufacturers or distributors within the meaning of the ElektroG

End users are responsible for deleting personal data from the WEEE to be disposed of.

It should be noted that different obligations about the return or recycling of WEEE may apply in countries outside of Germany.

## 11 Technical data

### 11.1 Integration

Max connected devices .....	128
Mobile app control .....	Tuya Smart, Smart Life/Smart Living
Google Home support .....	Yes
Amazon Alexa support .....	Yes

### 11.2 Power supply

Input .....	90 - 250 V/AC, 50 Hz
Power consumption .....	2 W

### 11.3 Zigbee module

Wireless frequency band .....	2.405 - 2.480 GHz
Wireless range .....	max. 90 m
Wireless transmission power .....	20 dBm

### 11.4 Bluetooth module

Bluetooth version .....	BLE/Mesh
Wireless frequency band .....	2.402 - 2.480 GHz
Wireless range .....	max. 60 m
Wireless transmission power .....	6.5 dBm

### 11.5 Wi-Fi module

Wi-Fi standard .....	IEEE 802.11b/g/n, 2.4 GHz
Wireless frequency band .....	2.400 - 2.484 GHz
Wi-Fi range .....	max. 50 m
Wi-Fi transmission power .....	20 dBm

### 11.6 Others

Operating temperature / Operating humidity .....	-10 to +50 °C / 0 - 95 % RH (non-condensing)
Storage temperature / Storage humidity .....	-10 to +50 °C / 0 - 95 % RH (non-condensing)
Dimensions (W x H x D) (approx.) .	57 x 57 x 22 mm
Weight (approx.) .....	53 g

This is a publication by Conrad Electronic SE, Klaus-Conrad-Str. 1, D-92240 Hirschau (www.conrad.com).

All rights including translation reserved. Reproduction by any method (e.g. photocopying, microfilming or the capture in electronic data processing systems) requires prior written approval from the editor. Reprinting, also in part, is prohibited. This publication reflects the technical status at the time of printing.

Copyright by Conrad Electronic SE.

\*3026091\_V1\_0424\_jh\_mh\_en 9007200485669515 I2/O1 en