

# Clear Water Solenoid Valve - Push-in

CWS 8 - made in Holland

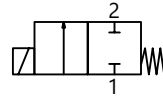


This Solenoid valves serie is High Quality. This NC valve, single type is an indirect acting electromagnetic valve. Unique industrial shape with the "low water hammer construction" makes this valve unique for clear water installations. Used materials and checks ensure maximal reliability and lifetime.

Quick push-in (twice) mounting with double o-ring and mounting with DIN-rail clips are very unique. Economical, faster installation and therefore cheaper. Design your own valve, send your inquiry.



Anti water hammering  
cert. EN 60730-2-8  
Par. 18.101.3.3

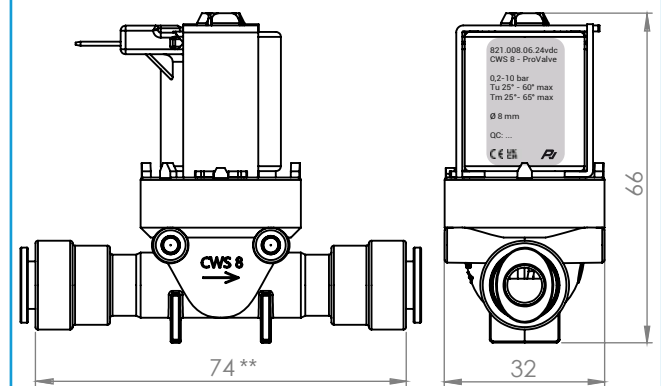


## Specifications

<b>Operating Range</b>	0,2 ~ 10 bar / 7 bar*	
<b>Temp. medium   ambient</b>	65°C 3/5min 25°C 100%	60°C max. 60°C max.
<b>Coil (faston)</b>	12Vdc   7W	
Class F 155°C IP00	24Vdc   8W	
	24Vac   3,2W	
	230Vac   6VA	
<b>Function</b>	Normally closed (NC)	
<b>Orifice   Flow indication</b>	9 mm   5 - 8 L/min	
<b>Optional</b>	Flow regulator art. nr. MR05*	

\* only for 10 mm push in

connection: 8 mm / 6mm / 1/4"



\* PT Screw connection for plastic body  
\*\* 10 mm push in length: 78 mm

Code (without coil)	Connection	Tube	Body ISO 1043	Seal	Model no
821.006.06	Push-in 6mm	PE / PU Food	PA66-GF30 (Food)	EPDM (Food)	006
821.014.06	Push-in 6.1mm~1/4 inch	+0.1 / -0,05	PA66-GF30 (Food)	EPDM (Food)	014
821.008.06	Push-in 8mm~5/16 inch		PA66-GF30 (Food)	EPDM (Food)	008
821.010.06	Push-in 10mm		PA66-GF30 (Food)	EPDM (Food)	010

## Technical data



12Vdc | 7W



24Vdc | 8W



24Vac | 3.2W



230Vac | 6VA

### Fast mounting system:



Unique DIN rail mounting bracket

Only use PT Screw for plastic\*  
Size: 3.5 x 8mm

### Certification materials:

RoHS and EC 1907/2006 (REACH) UL listed product  
ACS DGSNS 4 n° 2000-232 DVGWW270  
NSF STD-61 KTW guidelines  
WRAS BS6920-1

