

# Clear Water Solenoid Valve - Thread

CWS 8 - made in Holland



This Solenoid valves serie is High Quality. This NC valve, single type is an indirect acting electromagnetic valve. Unique industrial shape with the "low water hammer construction" makes this valve unique for clear water installations. Used materials and checks ensure maximal reliability and lifetime.

Quick mounting on fitting and mounting with DIN-rail clips are very unique.

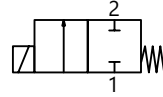
Economical, faster installation and therefore cheaper.

Design your own valve, send your inquiry.



Anti water hammering cert. EN 60730-2-8

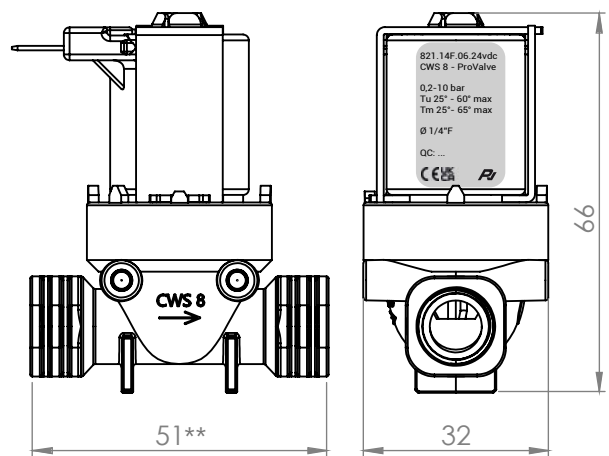
Par. 18.101.3.3



## Specifications

<b>Operating Range</b>	0,2 ~ 10 bar	
<b>Temp. medium   ambient</b>	90°C 3/5min	60°C max.
	25°C 100%	60°C max.
<b>Coil (faston)</b>	12Vdc   7W	
<b>Class F 155°C IP00</b>	24Vdc   8W	
	24Vac   3,2W	
	230Vac   6VA	
<b>Function</b>	Normally closed (NC)	
<b>Orifice   Flow indication</b>	9 mm   5 - 8 L/min	
<b>Optional</b>	Flow regulator art. nr. MR05	

art. nr: 821.14F.06 | connection: 1/4" F

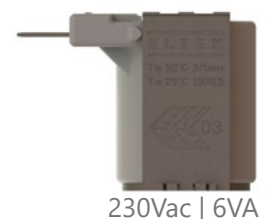
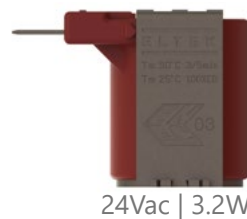
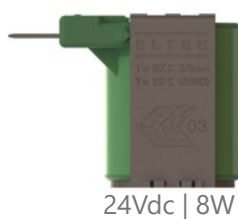
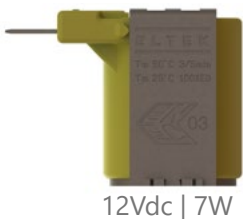


\* PT Screw connection for plastic body  
\*\* 1/2" F Length: 61 mm

Code (without coil)	Connection	Max. Torque*	Body ISO 1043	Seal	Model no.
821.14F.06	G1/4" BSP Female	1.5Nm	PA66-GF30 (Food)	EPDM (Food)	14F
821.12F.06	G1/2" BSP Female	3.0Nm	PA66-GF30 (Food)	EPDM (Food)	12F

\* Use only BSP.P thread with flat seal

## Technical data



### Fast mounting system:



Unique DIN rail mounting bracket

Only use PT Screw for plastic size: 3.5 x 8 mm

### Certification materials:

RoHS and EC 1907/2006 (REACH) UL listed product  
ACS DGSNS 4 n° 2000-232 DVGWW270  
NSF STD-61 KTW guidelines  
WRAS BS6920-1

