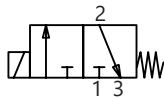


3/2 weg - 63 serie

ProValve

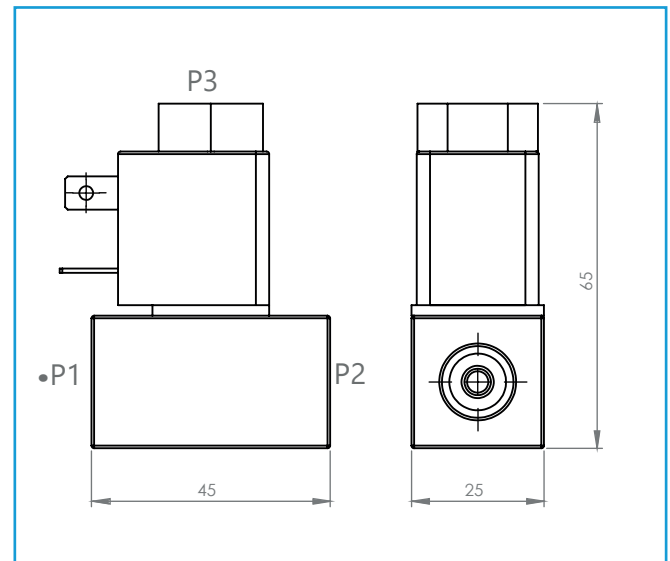


This solenoid valve is an direct acting type. The valves are made in two different series. 2/2 way and the 3/2 way. The 3/2 way is possible in NC / NO / BI and you can choose between three different voltages (coils). Standard seals are NBR. Optional body from Stainless Steel, Aluminium or PA.



Specifications

Operating Range	-1 / 0 ~10 bar
Temp. medium ambient	25° C 25 ° C max.
Voltage	24Vdc 4.8W 24Vac 7,1VA 230Vac 7.9VA
Function	Normally closed (NC)
Orifice	1.2 mm
Media	Compressed air



Code (without coil)	Connection	Body	Seal	Pilot
631.18.04132	G1/8" (BSP)	POM	NBR	RVS
631.06.04132	6 mm push-in	POM	NBR	RVS
631.18.04131	G1/8" (BSP)	POM	NBR	MS
631.06.04131	6 mm push-in	POM	NBR	MS

Coils



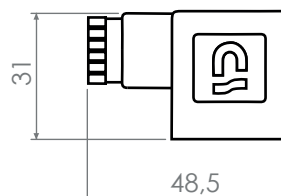
24Vac | 7,1VA



24Vdc | 4.8W



230Vac | 7.9VA



Connectors
B-12143-0107
B-12443-0127
B-12443-0126