



## Bird Camera and Feeder

### USER MANUAL

**FR :** Un manuel dans votre langue est disponible sur Internet:

**IT:** Il manuale nella sua lingua può essere trovato su Internet:

**ES:** Puede encontrar un manual en su idioma en Internet:

**PT:** Um manual em seu idioma pode ser encontrado na Internet:

**PL:** Instrukcję w swoim języku możesz znaleźć na stronie:

**SV:** En handbok på ditt språk finns på Internet:

**NL:** Een handleiding in uw taal vindt u op internet:

**[bit.ly/birdycam](http://bit.ly/birdycam)**



## **Table of content**

General instructions .....	4
Explanation of symbols .....	4
Product information .....	5
Intended use .....	5
Declaration and proven safety .....	6
Restrictions.....	6
Safety instructions.....	7
Operating environment.....	8
Storage environment.....	8
Product description .....	9
First use .....	11
Step 1: Charge the device.....	11
Step 2: Insert memory card.....	11
Step 3: Format the memory card .....	13
Power ON/OFF .....	14
Switching the modes .....	15
Settings.....	16
Photo mode.....	17
Video mode .....	18
Photo + Video mode.....	19
Playback mode .....	20
Mounting.....	21
Filling the feed.....	23
File transfer .....	25
Technical specifications .....	26

Box contents.....27  
Disposal .....28  
Declaration of conformity .....30

## **Disclaimer**

Easypix makes no representations or warranties with respect to this manual and, to the maximum extent permitted by law, expressly limits its liability for breach of any warranty that may be implied to the replacement of this manual with another.

Furthermore, Easypix reserves the right to revise this publication at any time without incurring an obligation to notify any person of the revision.

Easypix is not responsible or liable for misuse of the information that is contained herein. If you have any suggestions for improvements or amendments or have found errors in this publication, please notify us.

All pertinent state, regional, and local safety regulations must be observed when installing and using this product. For reasons of safety and to help ensure compliance with documented system data, only the manufacturer shall perform repairs to components.

Failure to observe this information can result in injury or equipment damage.

Copyright © by Easypix GmbH

All rights reserved. No part of this publication may be reproduced, distributed, or transmitted in any form or by any means, including photocopying, recording, or other electronic or mechanical methods, without the prior written permission of the publisher. For permission requests, please write to the publisher below.

Easypix GmbH, Em Parkveedel 11, 50733 Köln, Germany  
support@easypix.com • www.easypix.com

## General instructions

Read this manual and its safety instructions before using this product. Follow all the instructions.

This will avoid fire, explosions, electric shocks or other hazards that may result in damage to property and/or severe or fatal injuries.

The product shall only be used by persons who have fully read and understand the contents of this user manual.

Ensure that each person who uses the product has read these warnings and instructions and follows them.

Keep all safety information and instructions for future reference and pass them on to subsequent users of the product.

The manufacturer is not liable for cases of material damage or personal injury caused by incorrect handling or non-compliance with the safety instructions.

## Explanation of symbols



**WARNING**

Warning indicates a hazard with a medium level of risk which, if not avoided, could result in serious injury.

## ***NOTICE***

"Notice" indicates information that is considered important but is not hazard-related.

### **Product information**

This device is a bird feeder and automatic camera in one. Equipped with a highly sensitive pyroelectric PIR sensor, it detects any movement within 3 metres. When a bird or other animal moves in front of the lens, the camera is automatically activated to take photos or high-resolution video.

### **Intended use**

This unit is designed for outdoor use. It is rainproof, so it is protected from water and can be attached to a tree, bush, etc. making it ideal for use in the garden.

In addition to the built-in rechargeable battery, the unit has a dual solar panel that provides continuous power when there is adequate sun shining.

## ***NOTICE***

**The unit is designed and configured for use in daylight. Night time recordings are therefore not visible.**

## **Declaration and proven safety**

The product has been verified in accordance with the essential requirements and other relevant provisions of Directives 2014/30/EU, 2011/65/EU & (EU) 2015/863. Its safety complies with the requirements of the relevant national regulations.

## **Restrictions**



### **WARNING**

**The product is not suitable for children under 3 years because of choking hazard.**

- Contains small parts, in order to avoid swallowing, please ensure any use by children is undertaken with adult supervision.
- Ensure all parts are not exposed to extreme temperatures.

## Safety instructions



### WARNING

**This product is only suitable for the purpose described, the manufacturer is not liable for damage caused by abnormal use.**



### WARNING

**Please read this instruction manual carefully before use.**  
Keep all small parts out of the reach of small children.  
If you think this product is damaged in any way, please do not use the product.

- Fill the unit with dry food only.
- Do not allow moisture to build up inside the unit or fill it.
- Clean the unit carefully with a dry cloth.



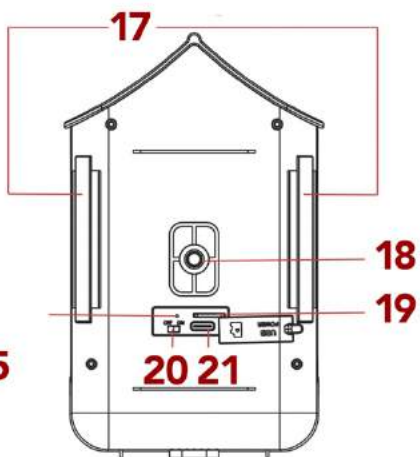
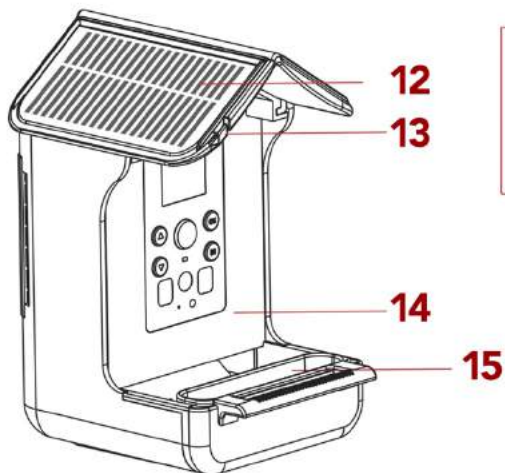
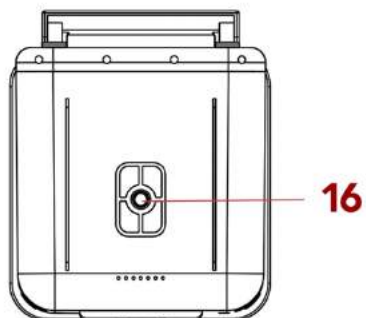
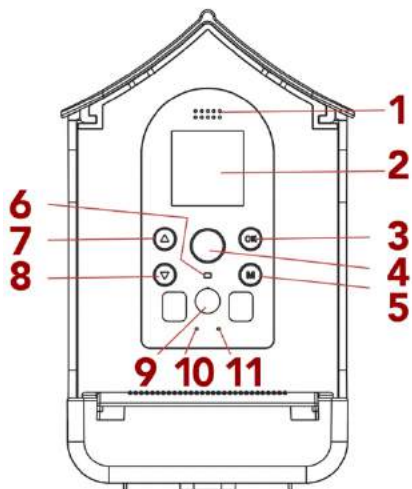
## **Operating environment**

- Please peel off the transparent protective film from the lens and screen before first use.
- Protect the product from falls, bumps and knocks.
- Do not expose the product to abnormally high or low temperatures.
- Not suitable for night recording.

## **Storage environment**

- Store the product at room temperature in a dry and dust-free place.
- Do not expose it to direct sunlight or unusually high or low temperatures.

## Product description



**[1] Speaker**

**[2] Display**

**[3] OK/Activate Recording**

**[4] PIR Sensor**

**[5] Mode**

**[6] Indicator Light**

**[7] Up**

**[8] Down**

**[9] Lens**

**[10] Mic**

**[11] Charging Indicator**

**[12] Solar Panels**

**[13] Hole for hanging feed**

**[14] Food Bin**

**[15] Water Trough**

**[16] Bracket Screw Hole**

**[17] Strap Mounts**

**[18] Bracket Screw Hole**

**[19] Card Slot**

**[20] Power Switch**

**[21] USB (Type-C)**

## First use

### ***NOTICE***

**To ensure optimum performance from your device, please follow the steps below when using it for the first time.**

#### **Step 1: Charge the device**

Remove the silicone protective cap on the port and charge the device with the USB cable. During the charging process, the charging indicator [11] lights up.

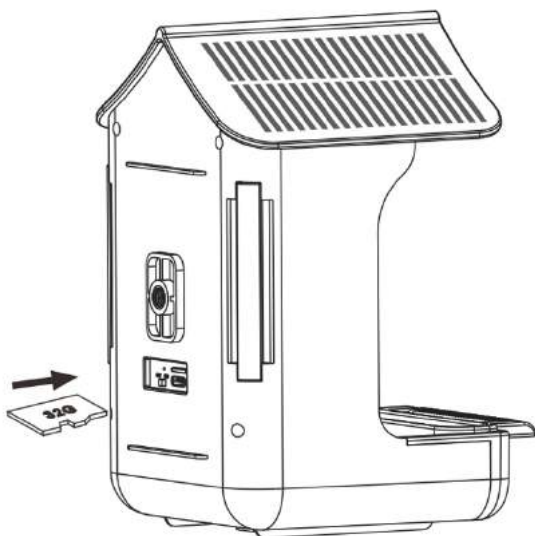
The device features a solar panel that will continuously charge it. If there are extended periods without adequate sunlight then the device must be charged again via the USB port.

#### **Step 2: Insert memory card**

**The Birdy Cam supports the use of memory cards up to a maximum capacity of 32GB.**

- Insert the memory card into the memory card slot [19] ensuring that the card is being inserted in the right direction.
- The card should be inserted smoothly with a small spring action required to secure it in place.

- If there is resistance when inserting the card or use of force is required, stop and check the card is being inserted the right way up.
- Close the silicone protective cap.



## ***NOTICE***

**The device will not operate normally unless the TF card is inserted correctly.**

### **Step 3: Format the memory card**

- To ensure the optimum performance of the card it should be formatted before using it for the first time.
- Enter the 'Format' settings in the user menu to complete the formatting process.

## ***NOTICE***

**The formatting process deletes any data or files currently on the card.**

Please ensure important files are backed up before formatting the card for use with the Birdy Cam.

## Power ON/OFF

Slide the power switch [20] to ON to turn the device on, then press the mode button [5] and the UP/DOWN buttons [7/8] to select the mode. Confirm with OK [3].

You can choose from the following modes:

- **Photo** (the unit will only take photos)
- **Video** (the unit will only record videos)
- **Photo + Video** (the unit takes photos and videos)
- **Playback**
- **Settings** (General settings options for use)

After selecting the mode, the device is immediately ready to use and will automatically start recording whenever there is movement in front of the lens.

During a recording, the indicator [6] lights up blue.

To turn the device off, slide the power switch [20], to the OFF position.

## Switching the modes

Press the mode button [5] and the UP/DOWN buttons [7/8] to select the mode. Confirm with OK [3].

You can choose from the following modes:

- **Photo (for photos only)**
- **Video (for video only)**
- **Photo + Video (for photos and videos)**
- **Playback**
- **Settings**

To return, press the Mode button.

### ***NOTICE***

After selecting the mode, the device is immediately ready to use and will automatically start recording whenever there is movement in front of the lens.

### ***NOTICE***

If the screen is deactivated, press any button for 2-3 seconds to reactivate the screen.



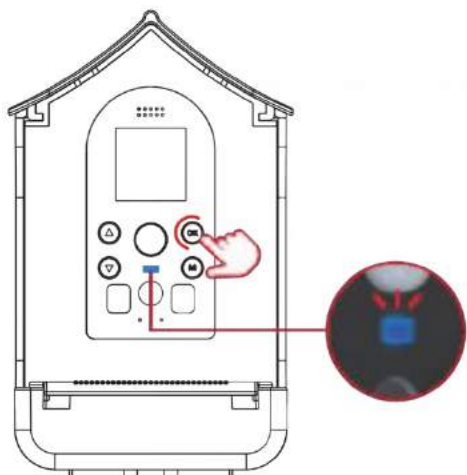
## Settings

Function	
<b>Format</b>	Format the SD card before using it for the first time.
<b>Default Settings</b>	Reset the unit to factory default settings.
<b>Language</b>	Select your language.
<b>Video Loop</b>	Set the duration of video recordings. (10 sec / 30 sec / 1 min / 3 min)
<b>Screensaver</b>	Deactivate the screen to save energy. (Off / 1 minute / 2 min / 3 min)
<b>Auto Power Off</b>	Turn the unit off automatically . (Off / 3 min / 5 min)
<b>Burst</b>	Set the number of photos to take. (3 / 5 / 10 photos in a row)
<b>Photo Resolution</b>	Set the resolution of your photos. (3M / 5M / 8M / 12M)
<b>Video Resolution</b>	Set the resolution of your videos. (VGA / 720p / 1080p)
<b>Date/Time</b>	Set the date and time with the UP/DOWN keys (7/8) and confirm with OK (3).

## Photo mode

### **NOTICE**

First press the Mode button [5], go to “Settings” / “Burst” to select the number of photos to be taken: 3, 5, 10 or photos. The selected number of photos will be taken automatically when a bird moves in front of the lens.



- Press the mode button [5] and the UP/DOWN buttons [7/8] to select the **Photo mode**.
- Confirm with OK [3].

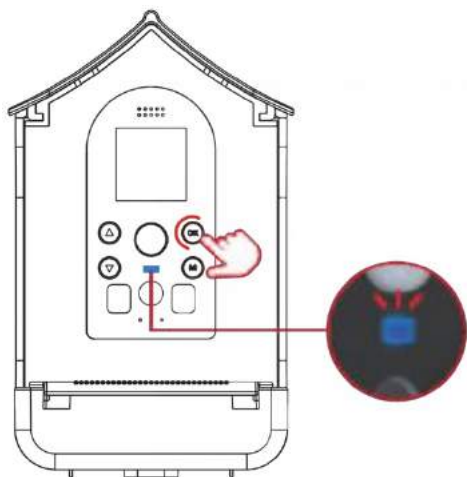
After selecting the mode, the device is immediately ready to use and will automatically start recording whenever there is movement in front of the lens.

During a recording, the indicator [6] lights up blue.

## Video mode

### **NOTICE**

First press the Mode button [5], go to “Settings” / “Video Loop” to select the duration of your videos (10 seconds / 30 seconds / 1 minute / 3 minutes). This video will be taken automatically when a bird moves in front of the lens.



- Press the mode button [5] and the UP/DOWN buttons [7/8] to select the **Video mode**.
- Confirm with OK [3].

After selecting the mode, the device is immediately ready to use and will automatically start recording whenever there is movement in front of the lens.

During recording, the indicator [6] lights up blue.

## Photo + Video mode

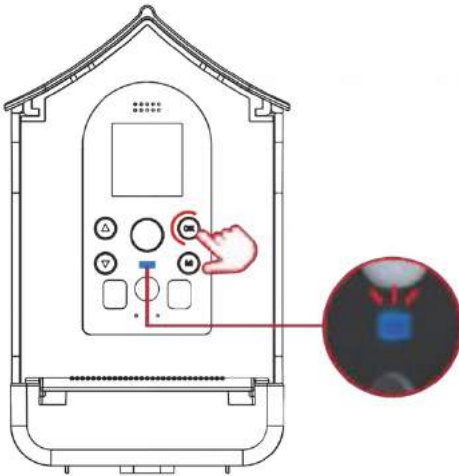
### **NOTICE**

First press the Mode button [5], go to “Settings” / “Burst” to select the number of photos to be taken

(3, 5, 10 or photos).

Then go to “Settings” / “Video Loop” to select the length of your videos (10 sec / 30 sec / 1 min / 3 min).

If a bird moves in front of the lens, the set number of photos is taken automatically, followed by the video.



- Press the mode button [5] and the UP/DOWN buttons [7/8] to select the **Photo + Video mode**.
- Confirm with OK [3].

After selecting the mode, the device is immediately ready to use and will automatically start recording whenever there is movement in front of the lens.

During a recording, the indicator [6] lights up blue.

## Playback mode

Press the mode button [5] and the UP/DOWN buttons [7/8] to select the **Playback mode**.

Confirm with OK [3].

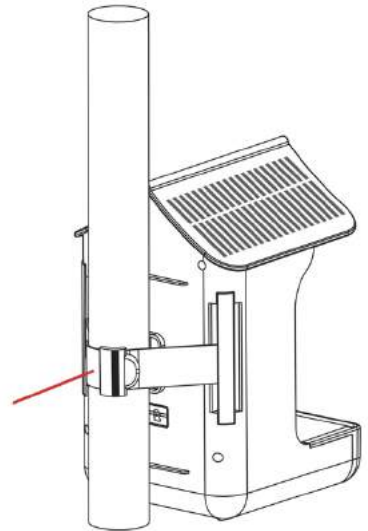
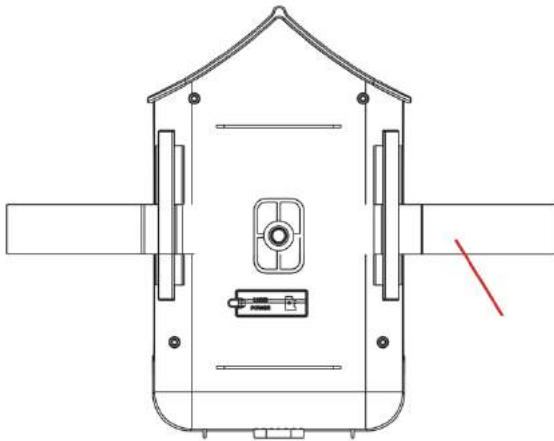
- Press the UP/DOWN buttons [7/8] to view the files.
- Press the OK button [3] to start/stop playing video.
- Press the Mode Button [5] to exit a video.
- Press and hold the UP button [7] to delete a file and confirm with OK.
- Press and hold the DOWN button [8] to delete ALL files and confirm with OK.

## Mounting

### Option 1: Using the strap

Push the strap through the mount supports.

Attach the feeder to the tree trunk with the strap.

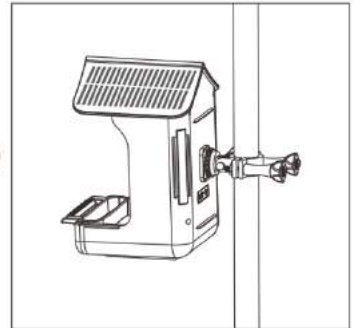
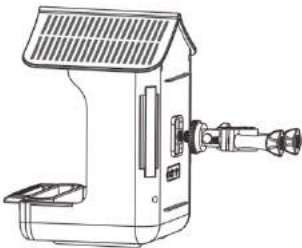
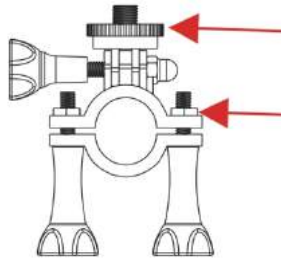


## **Option 2: Using the pole bracket**

There are tripod mounting holes on the back and bottom of the unit.

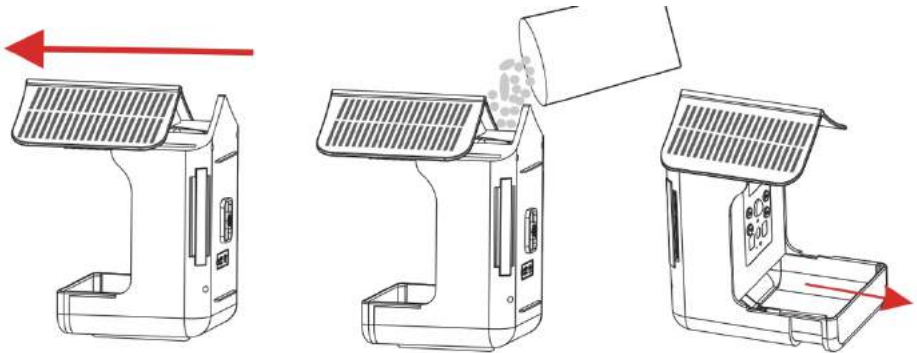
Choose a suitable mounting orientation and attach the adapters to the support, then you can easily attach it to the feed.

Attach the bracket to a tree trunk or pole.



## Filling the feed

- 1) Slide the roof door from back to front to open the feed cover.
- 2) Place the food in the food container.
- 3) Slide the top roof door from front to back and close the food compartment cover.
- 4) The feed bowl can be pulled out and extended.



### **NOTICE**

Please ensure that the food is not damp and that it is kept dry.

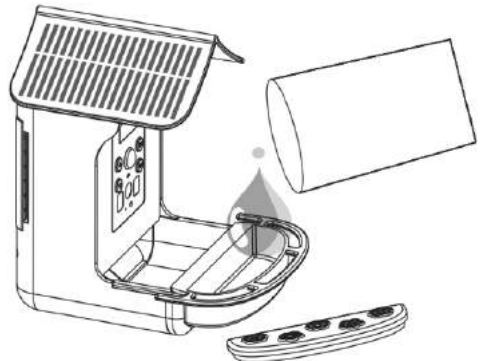


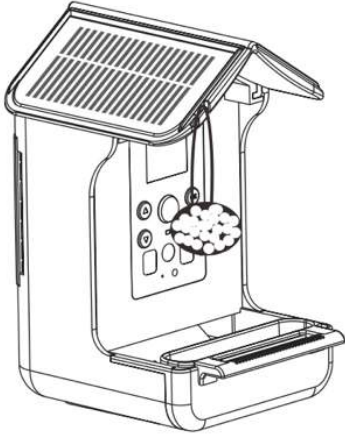


**Pour water into the trough:**  
Attach the water trough and pour water into the trough.

**[Alternatively instead of the water]  
Place the nectar feeder:**

Attach the nectar feeder. Remove the cap from the nectar feeder, add nectar and cover the top.





### **Hanging the food:**

Tie the food to the rope and attach the other end of the rope to the hanging hole on the feeder [13].

## **File transfer**

There are two options for transferring your files to your computer.

### Option 1:

Leave the card in the device and connect the USB cable to the computer. The device must be switched on for data transfer.

### Option 2:

Remove the SD card from the device and insert it into the USB port on your computer. Copy the videos and photos from the DCIM folder to your computer.

## Technical specifications

Housing	Rain-Waterproof
Space for food	For approx. 250g of grain food
Sensor	1.3 MP CMOS
Photo Resolution	3M* / 5M* / 8M* / 12M*
Video Resolution	VGA / 720p / 1080p*
Display	1.44"/3.6cm IPS
Lens	Fixed Focus
Automatic Motion Detection	Yes
PIR Sensing Distance	Up to 3 meters
PIR Sensing Trigger Time	0.8 sec
Recording Modes	Photo / Video / Photo + Video
Video Length	10 sec / 30 sec / 1 min / 3 min
Photo Burst	3 / 5 / 10 photos
Auto Power Off	Yes
Microphone	Built-in
File Format	AVI, JPG

Interface	USB Type-C
Double Solar Panels	Light intensity: 38000-40000, about 8 hours full charge
Battery	1200mAh Lithium Battery built-in

(\*by interpolation)

## Box contents

- |                           |                                |
|---------------------------|--------------------------------|
| 1) Bird camera and feeder | 5) Mount adaptor               |
| 2) Strap                  | 6) Pole mount                  |
| 3) USB cable              | 7) Nectar feeder               |
| 4) Water sink             | 8) User's instructions (EN/DE) |



①



②



③



④



⑤



⑥



⑦



⑧

Operating instructions in other languages are available for download at [bit.ly/birdycam](https://bit.ly/birdycam)

or

[www.easypix.info/download-manuals/download/birdycam/](http://www.easypix.info/download-manuals/download/birdycam/)



## Disposal



### Disposal of packaging:

Dispose of the packaging according to its type.

Add cardboard and paperboard to the waste paper, foils and plastic wrapping to the recyclable waste collection.



<b>IMBALLAGGIO ESTERNO</b> PAP 20 Cartone carta	<b>IMBALLAGGIO INTERNO</b> PAP 20 Cartone carta
<b>RACCOLTA DIFFERENZIATA</b>	Verifica le disposizioni del tuo Comune. Svuotare l'imballaggio. Conferisci in raccolta il contenitore vuoto.



**Waste electrical and electronic equipment and/or batteries disposed of by users in private households in the European Union:**

This symbol on the product or on its packaging indicates that it cannot be disposed of with household waste. You must dispose of your old appliance and/or battery by handing it over to the applicable collection system for the recycling of electrical and electronic equipment and/or batteries. For more information on recycling this device and/or battery, contact your local council, the shop where you purchased the device or your household waste disposal service. Recycling materials helps to conserve natural resources and ensures that it is recycled in a way that protects human health and the environment.



## WARNING

### Warning regarding batteries:

- Do not disassemble or hit the battery. Be careful not to short-circuit the battery. Do not expose the battery to high temperatures. Do not continue using the battery if it leaks or expands.

- Keep the battery away from children.
- Batteries can explode if exposed to an open fire. Never throw batteries into fire.
- Dispose of used batteries according to local regulations.
- Before disposing of the device, remove the battery and dispose of it separately.

## Declaration of conformity



### EU Declaration of conformity

We hereby declare that the product is in conformity with the essential requirements and other relevant provisions of Directives 2014/30/EU and 2011/65/EU & (EU) 2015/863.

The full text of the EU Declaration of Conformity can be found in German and English at:

[www.easypix.info/download/pdf/doc-birdycam.pdf](http://www.easypix.info/download/pdf/doc-birdycam.pdf)