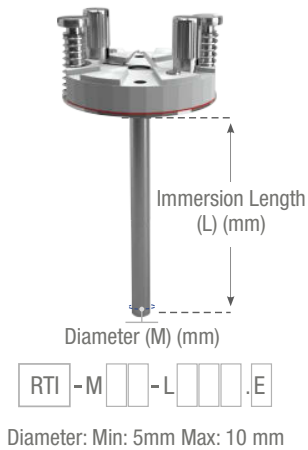


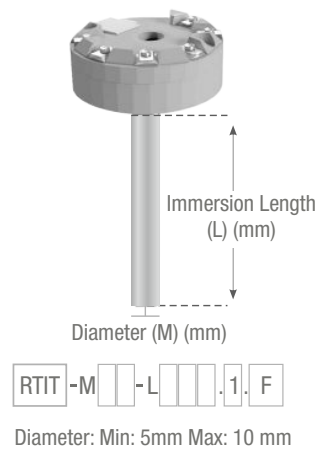
Temperature Sensors

Thermoresistances

► (RTI) Inset Type



► (RTIT) Inset Type with Transmitter



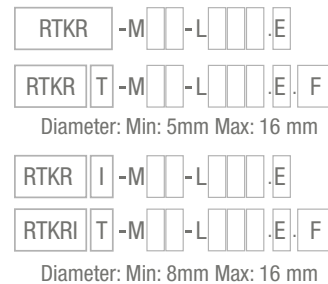
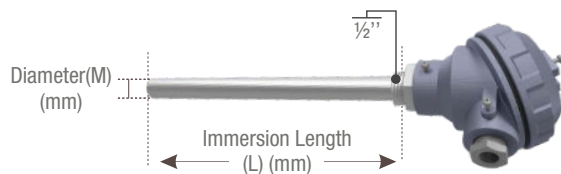
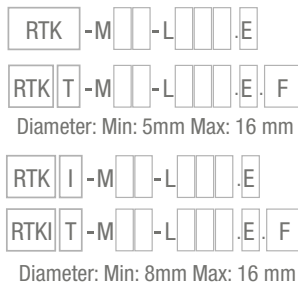
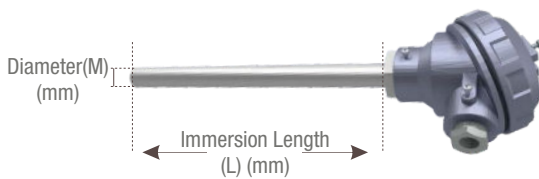
- Max. operating temperature : 500°C
- Protection tube material : AISI304 (DIN1.4301) "316" is added to order code for AISI316
- Sensor type : DIN/EN60751 Class "A" 1xPt-100 E=1 (RTIT) DIN/EN60751 Class "B" 2xPt-100 E=2
- Transmitter (RTIT) : 4...20mA current output, serial connection (Loop Powered) transmitter.
F=Calibration scale must be described on ordering

► (RTK) Terminal Block Type ► (RTKT) Terminal Block with Fittingnut Type

► (RTKI) Terminal Block Inset Type ► (RTKIT) Terminal Block, Inset Transmitter Type

► (RTKR) Terminal Block, Fittingnut Type ► (RTKRT) Terminal Block, Fittingnut, Transmitter Type

► (RTKRI) Terminal Block, Fittingnut Inset Type ► (RTKRIT) Terminal Block, Fittingnut, Inset Transmitter Type



- Max. operating temperature : 500°C
- Protection tube material : AISI304 (DIN1.4301) "316" is added to order code for AISI316
- Sensor type : DIN/EN60751 Class "A" 1xPt-100 for E=1 (RTKT, RTKRT) / DIN/EN60751 Class "B" 2xPt-100 for E=2
- Transmitter (RTIT) : 4...20mA current output, serial connection (Loop Powered) transmitter.
F=Calibration scale must be described on ordering