

**DISPLAY Elektronik GmbH**

# DATA SHEET

**LCD MODULE**

**DEM 16217 FGH-LA**

*Product Specification*

*Version: 2.2.2*

21.09.2017

# GENERAL SPECIFICATION

---

MODULE NO. :

# DEM 16217 FGH-LA

CUSTOMER P/N

Version No.	Change Description	Date
0	Original Version	18.03.2003
1	Change drawing and description	25.02.2004
2	Change drawing and description	20.07.2004
2.1.0	Change IC (SPLC783A1)	14.10.2011
2.2.0	Change IC (ST7066U)	28.06.2017
2.2.1	Change PIN 15 and 16 which is L+ and L- in the page 4	06.07.2017
2.2.2	Add PCB Drawing and Description	21.09.2017

PREPARED BY: HZ

DATE: 21.09.2017

APPROVED BY: MH

DATE: 21.09.2017

**CONTENTS**

**1. FUNCTIONS & FEATURES ..... 2**

**2. MECHANICAL SPECIFICATIONS..... 2**

**3. EXTERNAL DIMENSIONS..... 3**

**4. BLOCK DIAGRAM..... 4**

**5. PIN ASSIGNMENT..... 4**

**6. PCB DRAWING AND DESCRIPTION ..... 5**

**7. BACKLIGHT ELECTRICAL/OPTICAL CHARACTERISTICS ..... 6**

**8. DISPLAY DATA RAM (DDRAM) ..... 7**

**9. MAXIMUM ABSOLUTE POWER RATINGS (TA=+25°C) ..... 7**

**10. ELECTRICAL CHARACTERISTICS ..... 7**

**11. INSTRUCTION TABLE ..... 10**

**12. CHARACTER GENERATOR ROM ..... 11**

**13. QUALITY DESCRIPTION ..... 12**

**14. MODULE ACCEPT QUALITY LEVEL (AQL) ..... 13**

**15. RELIABILITY TEST..... 13**

**16. LCD MODULES HANDLING PRECAUTIONS..... 14**

**17. OTHERS..... 14**

**1. FUNCTIONS & FEATURES**

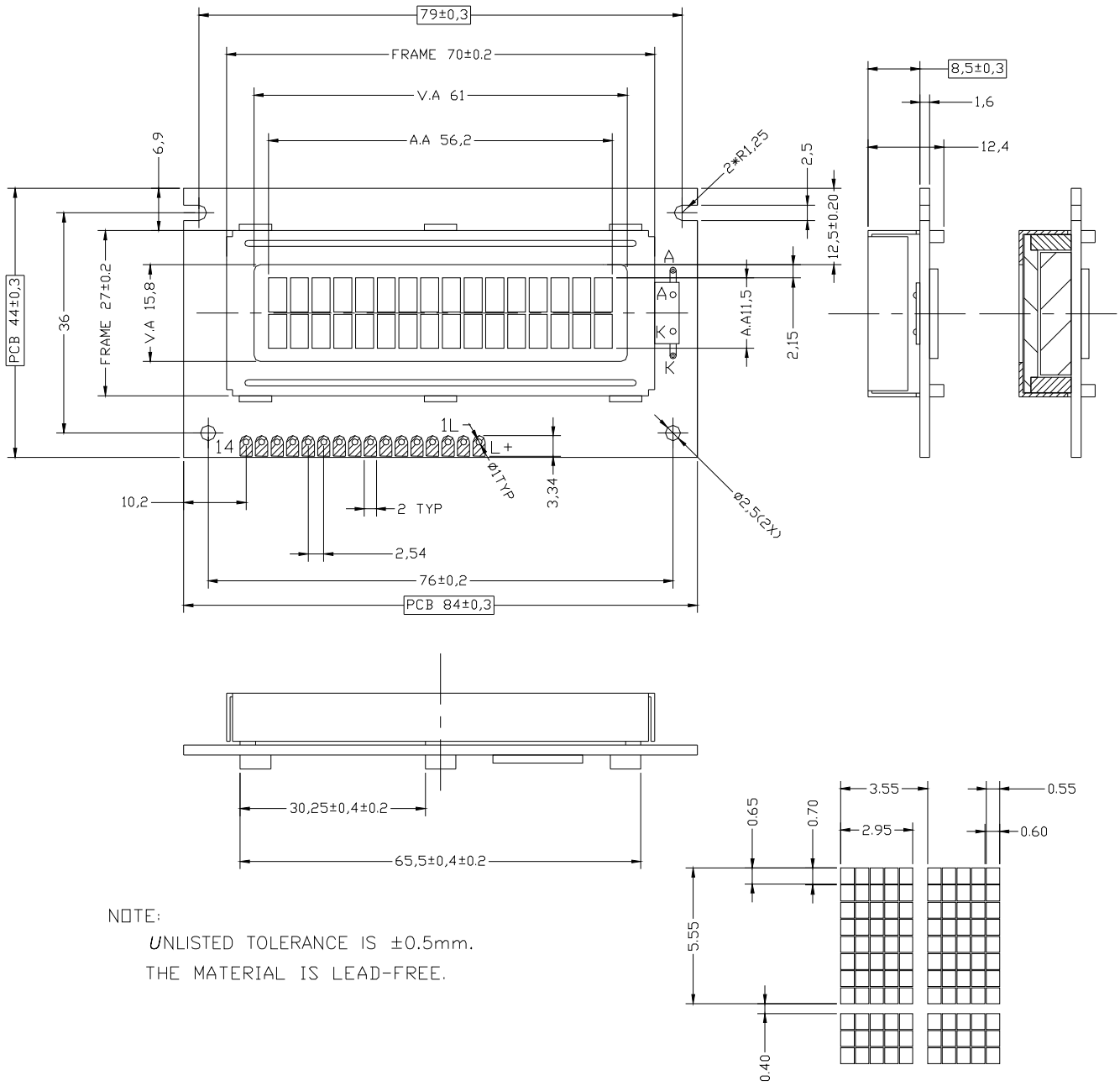
MODULE MODEL	LCD TYPE
DEM 16217 FGH-LA	FSTN Transflective Positive Mode

- Viewing Direction : 6 o'clock
- Driving Scheme : 1/16 Duty Cycle, 1/5 Bias
- Power Supply Voltage : 5.0 Volt (typ.)
- $V_{LCD}$  ( $V_{DD} - V_0$ ) : 4.5 Volt (typ.)
- Backlight Color : LED, Amber,
- Backlight Type : Lightbox
- Display Contents : 16 x 2 Characters (5x8 dots, Format : 192 Kinds)
- Internal Memory : CGROM (13,200 bits)  
: CGRAM (64 x 8 bits)  
: DDRAM (80 x 8 bits for Digits)
- CGROM : CGROM of the ST7066U-0A
- Interface : Easy Interface with a 4-bit or 8-bit MPU

**2. MECHANICAL SPECIFICATIONS**

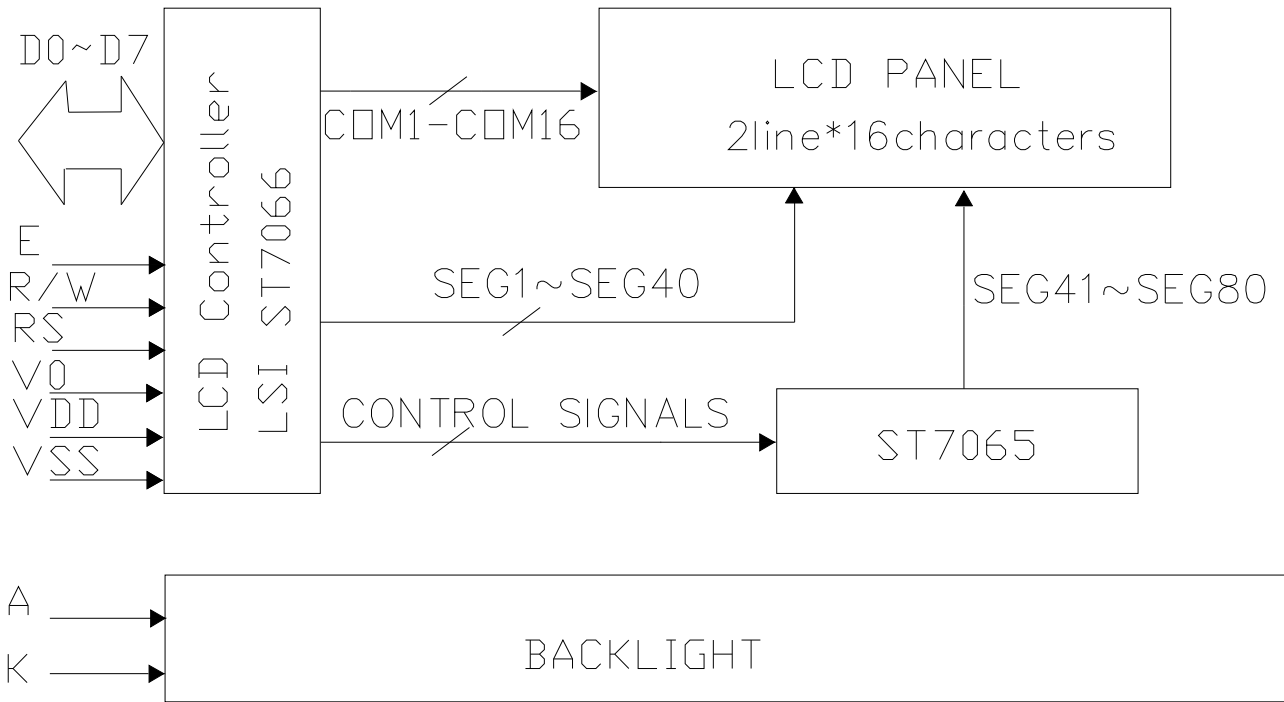
- Module Size : 84.00 x 44.00 x 8.50 mm
- Viewing Area : 61.00 x 15.80 mm
- Active Area : 56.20 x 11.50 mm
- Dot Size : 0.55 x 0.65 mm
- Dot Pitch : 0.60 x 0.70 mm
- Dot Gap : 0.05 mm

3. EXTERNAL DIMENSIONS



NOTE:  
 UNLISTED TOLERANCE IS ±0.5mm.  
 THE MATERIAL IS LEAD-FREE.

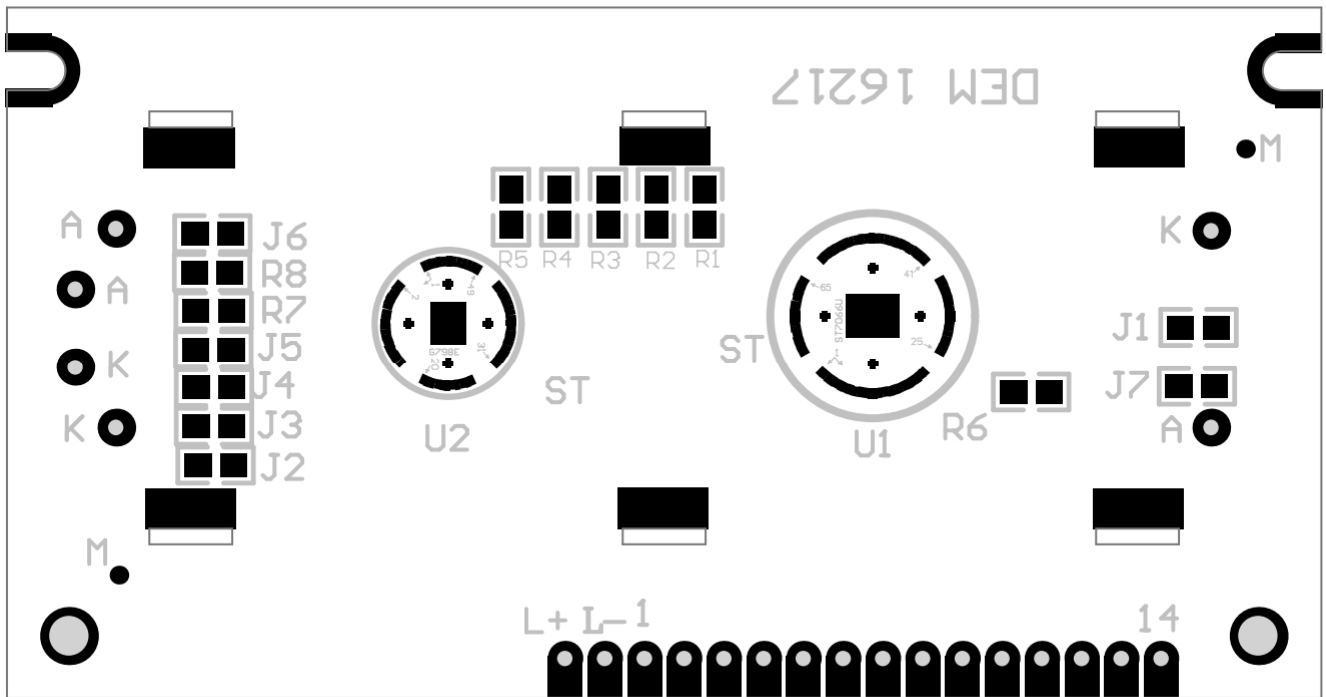
4. BLOCK DIAGRAM



5. PIN ASSIGNMENT

Pin No.	Symbol	Function
1	VSS	Ground terminal of module.
2	VDD	Supply terminal of module 5.0V.
3	V0	Power Supply for liquid crystal drive.
4	RS	Register select RS = 0...Instruction register RS = 1...Data register
5	R/W	Read /Write R/W = 1...Read R/W = 0... Write
6	E	Enable
7	DB0	Bi-directional data bus, data transfer is performed once, thru DB0 to DB7, in the case of interface data. Length is 8-bits; and twice, Thru DB4 to DB7 in the case of interface data length is 4-bits. Upper four bits first then lower four bits.
8	DB1	
9	DB2	
10	DB3	
11	DB4	
12	DB5	
13	DB6	
14	DB7	
L+	LED+(A)	Backlight operating power supply (Anode)
L-	LED-(K)	Backlight operating power supply (Cathode)

6. PCB DRAWING AND DESCRIPTION



Note: In application module, R1 ~ R5=4.7kΩ, R6=91kΩ

DESCRIPTION:

6-1-1. The polarity of the pin L- the L+ :

J3, J5	J2, J4	LED Polarity	
		L-	L+
Each open	Each closed	Anode	Cathode
Each closed	Each open	Cathode	Anode

Note: In application module, J3=J5=closed, J2=J4=open.

6-1-2. The metal-bezel is set on ground when the J1 is closed.

Note: In application module, J1=closed.

6-1-3. The LED resistor should can be bridged when the J6 is closed.

Note: In application module, J6=open.

6-1-4. The R7 and the R8 are the LED resistor.

Note: In application module, R8=8.2Ω, R7=open.

7. BACKLIGHT ELECTRICAL/OPTICAL CHARACTERISTICS

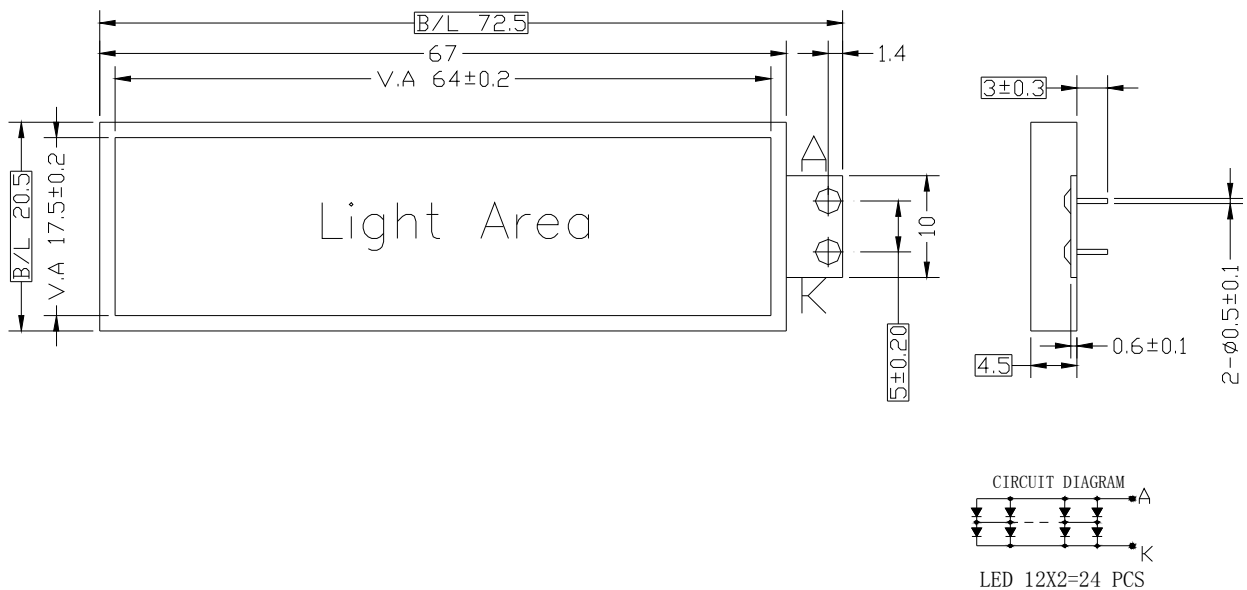
ELECTRICAL–OPTICAL CHARACTERISTICS

Item	Symbol	min.	typ.	max.	Unit	Condition
Forward Voltage	Vf		4.2	4.6	V	If= 120 mA
Power Dissipation	Pd	-	-	0.552	mW	If= 120 mA
Luminous Uniformity	$\Delta Lv$	70			%	MIN/MAX*100%
Luminance	Lv	45	70		cd/m <sup>2</sup>	If= 10 mA T=25°C
Color Coordinate	X Y					
Emission Wavelegth	$\lambda P$	585	590	595		

The LCD Surface Luminance

Item	Symbol	Min.	TYP	Max.	Unit	Remark
Luminance	Lv	15	25		cd/m <sup>2</sup>	-

\*Note: This is only for the reference. The exact value of the luminance please refer to the approval sample.





**8. DISPLAY DATA RAM (DDRAM)**

	1	2	3	4	5	6	7	8	9	10	11	12	13	14	15	16	← DISPLAY POSITION
FIRST LINE	00	01	02	03	04	05	06	07	08	09	0A	0B	0C	0D	0E	0F	← DDRAM ADDRESS
SECOND LINE	40	41	42	43	44	45	46	47	48	49	4A	4B	4C	4D	4E	4F	

**9. MAXIMUM ABSOLUTE POWER RATINGS (Ta=+25°C)**

Item	Symbol	Standard value	Unit
Power Supply Voltage(1)	V <sub>DD</sub>	-0.3~+7.0	V
Power Supply Voltage(2)	V <sub>0</sub>	V <sub>DD</sub> -10.0~V <sub>DD</sub> +0.3	V
Input Voltage	V <sub>IN</sub>	-0.3~V <sub>DD</sub> +0.3	V
Operating Temperature	T <sub>opr</sub>	-20~+70	°C
Storage Temperature	T <sub>stg</sub>	-25~+75	°C

\*Voltage greater than above may damage to the Circuit.

$$V_{DD} > V_1 > V_2 > V_3 > V_4 > V_5$$

**10. ELECTRICAL CHARACTERISTICS**

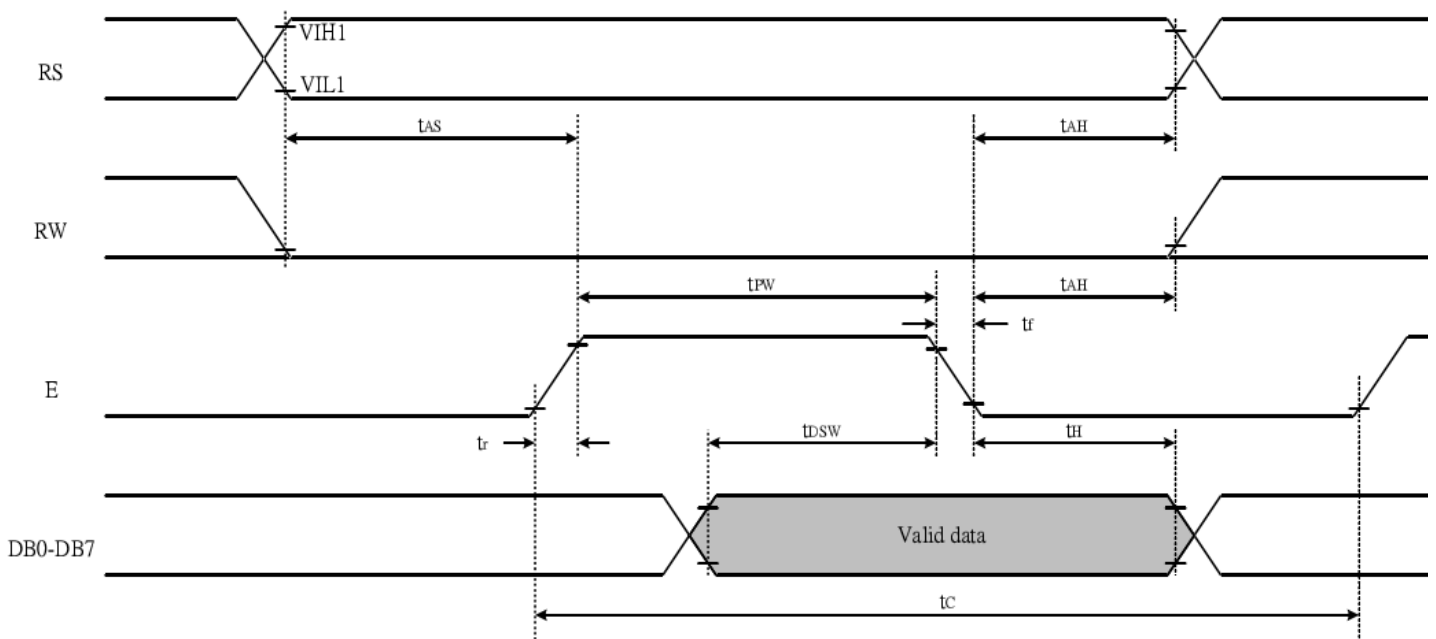
**10-1 DC Characteristics (V<sub>DD</sub>=5.0V, Ta=-20~+70°C)**

Item	Symbol	Standard Value			Test Condition	Unit
		MIN	TYP	MAX		
Operating Voltage	V <sub>DD</sub>	4.5	5	5.5	-----	V
LCD Driving Voltage	V <sub>LCD</sub>	4.2	4.5	4.8	V <sub>DD</sub> -V <sub>0</sub>	V
Supply Current	I <sub>DD</sub>	---	1.25	1.875	V <sub>DD</sub> =5V,	mA
LCD Supply Current	I <sub>LCD</sub>	---	0.2	0.3		mA

**10-2 AC Characteristics (VDD=5.0V, Ta=-20~+70°C)**

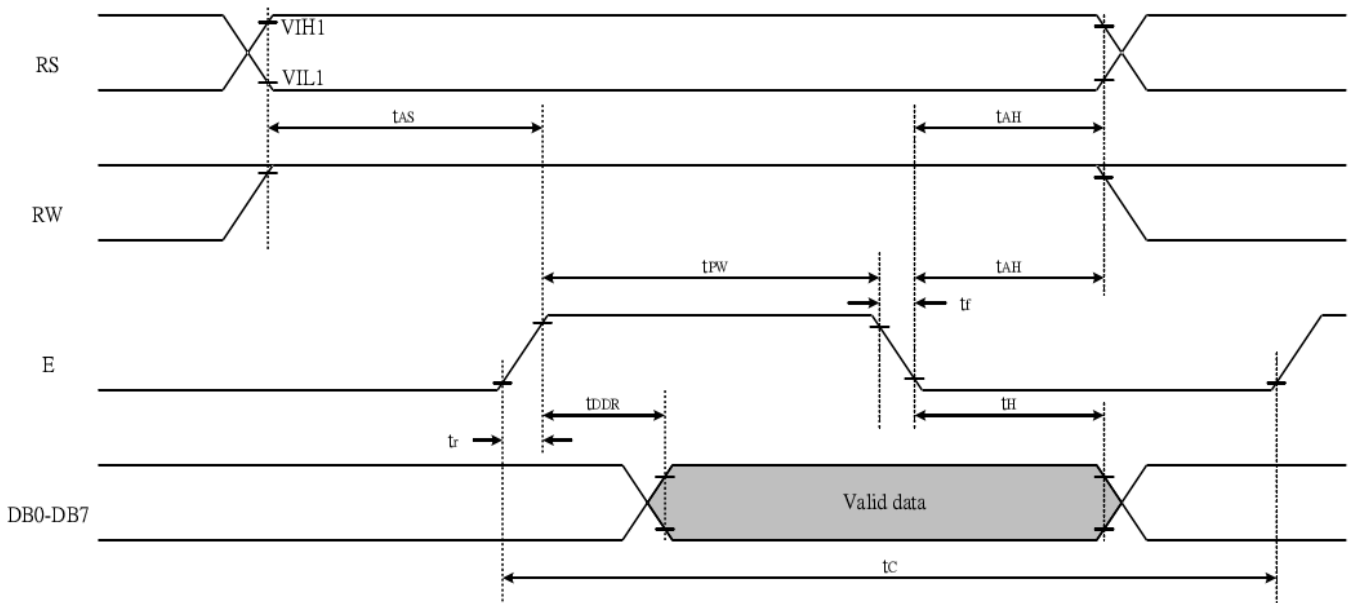
**10-2-1 Write Mode (Writing Data from MPU to Module Series)**

Characteristic	Symbol	Min	Type	Max	Unit	Test PIN
Enable Cycle Time	$t_c$	1200	---	---	ns	E
Enable Pulse Time	$T_{PW}$	140	---	---	ns	E
Enable Rise/Fall Time	$T_R, T_F$	---	---	25	ns	E
Address Set-up Time	$T_{AS}$	0	---	---	ns	RW,RS,E
Address Hold Time	$T_{AH}$	10	---	---	ns	RW,RS,E
Data Set-up Time	$T_{DSW}$	40	---	---	ns	DB0~DB7
Data Hold Time	$T_H$	10	---	---	ns	DB0~DB7



**10-2-2 Read Mode (Reading Data from Module Series to MPU)**

Characteristic	Symbol	Min	Type	Max	Unit	Test PIN
Enable Cycle Time	$t_c$	1200	---	---	ns	E
Enable Pulse Time	$T_{PW}$	140	---	---	ns	E
Enable Rise/Fall Time	$T_R, T_F$	---	---	25	ns	E
Address Set-up Time	$T_{AS}$	0	---	---	ns	RW,RS,E
Address Hold Time	$T_{AH}$	10	---	---	ns	RW,RS,E
Data Set-up Time	$T_{DDR}$	---	---	100	ns	DB0~DB7
Data Hold Time	$T_H$	10	---	---	ns	DB0~DB7



11. INSTRUCTION TABLE

Command	RS	R/W	DB7	DB6	DB5	DB4	DB3	DB2	DB1	DB0	Execution time (fosc=270KHz)	Remark
Clear Display	0	0	0	0	0	0	0	0	0	1	1.52ms	Write"20H" to DDRAM. And set DDRAM address to "00H" from AC
Return home	0	0	0	0	0	0	0	0	1	x	1.52ms	Set DDRAM address to "00H" from AC and return cursor to its original position if shifted. The contents of DDRAM are not changed.
Entry mode Set	0	0	0	0	0	0	0	1	I/D	S	37us	Sets cursor move direction and specifies display shift. These operations are performed during data write and read.
Display on/off control	0	0	0	0	0	0	1	D	C	B	37us	D=1: entire display on C=1: cursor on B=1: cursor position on
Cursor or Display Shift	0	0	0	0	0	1	S/C	R/L	x	x	37us	Set cursor moving and display shift control bit, and the direction, without changing DDRAM data.
function Set	0	0	0	0	1	DL	N	F	x	x	37us	DL: interface data is 8/4 bits N: number of line is 2/1 F: font size is 5x11/5x8
Set CGRAM address	0	0	0	1	AC5	AC4	AC3	AC2	AC1	AC0	37us	Set CGRAM address in address counter
Set DDRAM address	0	0	1	AC6	AC5	AC4	AC3	AC2	AC1	AC0	37us	Set DDRAM address in address counter
Read busy flag& address	0	1	BF	AC6	AC5	AC4	AC3	AC2	AC1	AC0	0us	Whether during internal operation or not can be known by reading BF. The contents of address counter can also be read.
Write data to RAM	1	0	D7	D6	D5	D4	D3	D2	D1	D0	37us	Write data into internal RAM (DDRAM/CGRAM)
Read data from RAM	1	1	D7	D6	D5	D4	D3	D2	D1	D0	37us	Read data from internal RAM (DDRAM / CGRAM)

Note:

Be sure the ST7066U is not in the busy state (BF=00 before sending an instruction from the MPU to the ST7066U. If an instruction is sent without checking the busy flag, the time between the first instruction and next instruction will take much longer than the instruction time itself. Refer to instruction table for the list of each instruction execution time.

12. CHARACTER GENERATOR ROM

NO.7066-0A

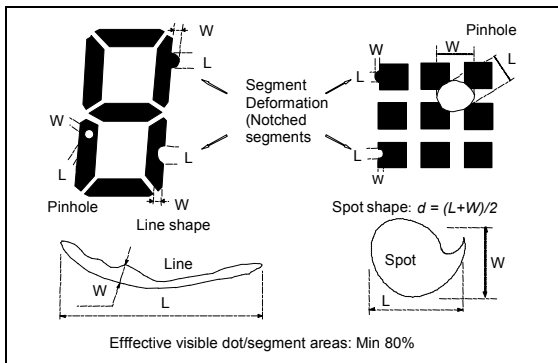
b7-b4 b3-b0	0000	0001	0010	0011	0100	0101	0110	0111	1000	1001	1010	1011	1100	1101	1110	1111
0000	CG RAM (1)			0	1	P	^	F				一	ワ	三	0	P
0001	(2)		!	1	A	Q	a	4			。	フ	チ	△	0	q
0010	(3)		"	2	B	R	b	r			「	イ	ウ	×	p	0
0011	(4)		#	3	C	S	c	s			」	ウ	テ	ε	e	∞
0100	(5)		\$	4	D	T	d	t			√	エ	ト	ト	W	0
0101	(6)		%	5	E	U	e	u			。	オ	★	1	0	0
0110	(7)		&	6	F	V	f	v			ヲ	カ	ニ	ヨ	p	Σ
0111	(8)		*	7	G	W	g	w			ヲ	サ	又	ウ	g	0
1000	(1)		(	8	H	X	h	x			イ	ウ	★	U	∫	Σ
1001	(2)		)	9	I	Y	i	y			ウ	ウ	ノ	U	∫	U
1010	(3)		*	#	J	Z	j	z			エ	コ	ノ	U	∫	∫
1011	(4)		+	;	K	C	k	c			★	サ	ト	0	∫	∫
1100	(5)		,	<	L	#	l	l			ト	ヨ	ウ	ウ	∫	∫
1101	(6)		-	=	M	J	m	>			ユ	ズ	△	U	∫	∫
1110	(7)		.	>	N	^	n	*			ユ	エ	ト	∫	∫	∫
1111	(8)		/	?	O	L	o	*			ユ	ウ	ワ	∫	0	∫

13. QUALITY DESCRIPTION

DEFECT SPECIFICATION:

Specific type-related items are covered in this sheet.

- a: Table for Cosmetic defects  
(Note: nc = not counted).  
Sizes and number of defects  
(Max. Qty)

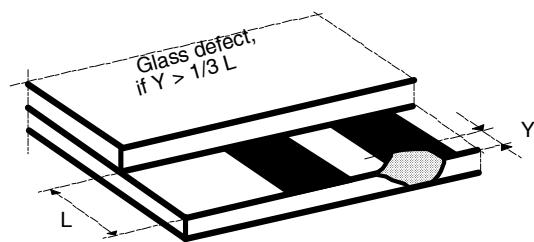


Examples/

Shapes

- b: Glass defects
- b1: Glass defects at contact ledge

Defect Type	Max. defect size [ $\mu\text{m}$ ] d or L W	Max. Quantity.
Black or White Spots	$d \leq 150$	nc
	$150 < d \leq 300$	3
Black or White Lines	-- $W \leq 10$	nc
	$L \leq 3000$ $W \leq 30$	2
	$L \leq 2000$ $W \leq 50$	2
Pinhole	$d \leq 150$	nc
	$150 < d \leq 300$	1/segment
(Total defects)		(5)
Segment Deformation	$W \leq 100$	nc
Bubble (e.g. under pola)	$d \leq 150$	nc
	$200 < d \leq 400$	2



- b2: Glass chipping in other areas shall not be in conflict with the product's function.

**14. MODULE ACCEPT QUALITY LEVEL (AQL)**

14.1 AQL Standard Value: Critical Defect =0.1, Major Defect=0.65; Minor Defect =2.5.

14.2 Inspection Plan: ANSI Z-1.4, Normal Inspection Level II, Single Sampling Plan.

**15. RELIABILITY TEST**

Operating life time: Longer than 50000 hours

(at room temperature without direct irradiation of sunlight)

Reliability characteristics shall meet following requirements.

TEMPERATURE TESTS	NORMAL GRADE
High Temperature Storage	+75°C x 96hrs
Low Temperature Storage	-25°C x 96hrs
High Temperature Operation	+70°C x 96hrs
Low Temperature Operation	-20°C x 96hrs
High Temperature, High Humidity	+60°C x 95%RH x 96hrs
Thermal Shock	-20°C x 30min.→25°C x 10s→ +70°C x 30min. 5 Cycles
Vibration Test	Frequency x Swing x Time 40Hz x 4mm x 4hrs
Drop Test	Drop height x Times 1.0m x 6times

## **16. LCD MODULES HANDLING PRECAUTIONS**

- Please remove the protection foil of polarizer before using.
- The display panel is made of glass. Do not subject it to a mechanical shock by dropping it from a high place, etc.
- If the display panel is damaged and the liquid crystal substance inside it leaks out, do not get any in your mouth. If the substance come into contact with your skin or clothes promptly wash it off using soap and water.
- Do not apply excessive force to the display surface or the adjoining areas since this may cause the color tone to vary.
- The polarizer covering the display surface of the LCD module is soft and easily scratched. Handle this polarize carefully.
- To prevent destruction of the elements by static electricity, be careful to maintain an optimum work environment.
  - Be sure to ground the body when handling the LCD module.
  - Tools required for assembly, such as soldering irons, must be properly grounded.
  - To reduce the amount of static electricity generated, do not conduct assembly and other work under dry conditions.
  - The LCD module is coated with a film to protect the display surface. Exercise care when peeling off this protective film since static electricity may be generated.
- Storage precautions  
When storing the LCD modules, avoid exposure to direct sunlight or to the light of fluorescent lamps. Keep the modules in bags designed to prevent static electricity charging under low temperature / normal humidity conditions (avoid high temperature / high humidity and low temperatures below 0°C). Whenever possible, the LCD modules should be stored in the same conditions in which they were shipped from our company.

## **17. OTHERS**

- Liquid crystals solidify at low temperature (below the storage temperature range) leading to defective orientation of liquid crystal or the generation of air bubbles (black or white). Air bubbles may also be generated if the module is subjected to a strong shock at a low temperature.
- If the LCD modules have been operating for a long time showing the same display patterns may remain on the screen as ghost images and a slight contrast irregularity may also appear. Abnormal operating status can be resumed to be normal condition by suspending use for some time. It should be noted that this phenomena does not adversely affect performance reliability.
- To minimize the performance degradation of the LCD modules resulting from caused by static electricity, etc. exercise care to avoid holding the following sections when handling the modules:
  - Exposed area of the printed circuit board
  - Terminal electrode sections