



Digital electropneumatic Positioner SideControl BASIC

- Compact and robust design
- Easy to start up using Tune function
- Integrated diagnostic functions for valve monitoring
- Dynamic positioning system with no air consumption in controlled state
- IO-Link, AS-Interface or Bürkert system bus (büS)

Product variants described in the data sheet may differ from the product presentation and description.

Can be combined with

	Type 8805 ▶ Ball valve / Butterfly valve with pneumatic rotary actuator
	Type 2051 ▶ Pneumatic rotary actuator
	Type 8798 ▶ Remote sensor für pneumatically actuated process valves
	Type 2301 ▶ Pneumatically operated 2-way Globe Control Valve
	Type 2300 ▶ Pneumatically operated 2-way angle seat control valve ELEMENT
	Type 2103 ▶ 2/2-way diaphragm valve with pneumatic stainless steel actuator (Type ELEMENT) for decentralised automation

Type description

The robust and compact positioner is designed to a standardisation acc. to IEC 65034-6-1 or VDI/VDE 3845 (IEC 60534-6-2) for assembly with linear and rotary actuators. In addition, the remote version with the displacement position sensor can be combined with Bürkert process control valves. The setpoint setting for the electropneumatic digital positioner SideControl BASIC occurs using a standard signal 4...20 mA or by bus as an option. In addition there is a binary input and an optional analogue feedback available. The valve opening is signalled by a mechanical indicator element and the device status is shown on three coloured LEDs. All the operational elements are found in the housing. The start-up happens automatically, and directly at the device the following functions can be activated through DIP switches: Close tight function, Inversion of the operating direction of the setpoint signal, Characteristic curves selection, Switching between manual and automatic mode. Additional possibilities on configuration and parameter setting, for example, linearisation of the operation characteristics by using communications software which allows customised programming. The pilot valve system can be used equally for single and double-acting drives. It is characterised by a defined safety feature in case of failure of the electrical or pneumatic power supply and possesses an enormous air capacity range with pressure supply up to 7 bar.

Table of contents

1. General technical data	4
1.1. Positioner SideControl Type 8791	4
1.2. Without fieldbus communication	5
1.3. With fieldbus communication: AS-Interface	6
1.4. With digital communication: IO-Link.....	6
1.5. With digital communication: Bürkert system bus (bÜS).....	6
1.6. Linear remote position sensor (ELEMENT Type 8798).....	7
1.7. Rotative remote position sensor (NAMUR)	7
1.8. Position feedback with proximity switches (accessories for retrofitting)	8
2. Approvals and conformities	9
2.1. General notes.....	9
2.2. Conformity	9
2.3. Standards.....	9
2.4. Explosion protection	9
Positioner SideControl Type 8791.....	9
2.5. North America (USA/Canada)	9
Positioner SideControl Type 8791.....	9
Linear position sensor, remote (ELEMENT Type 8798).....	9
Rotative position sensor, remote (NAMUR Type 8798).....	9
2.6. Others	10
China Compulsory Certification (CCC)	10
3. Dimensions	11
3.1. NAMUR/Remote Version	11
3.2. Mounting specification of NAMUR/Remote version	12
NAMUR version	12
Remote version.....	13
3.3. ATEX/IECEx version	13
3.4. Remote position sensor version	14
3.5. Mounting on control valve according to NAMUR	14
4. Device/Process connections	15
4.1. Electrical connections.....	15
Multipole connection.....	15
AS-Interface connection	16
Position feedback with proximity switches.....	17
Cable gland.....	17
IO-Link connection.....	19
Connection of digital remote position sensor Type 8798, M8 socket, 4-pin (optional)	19
Bürkert system bus (bÜS) connection.....	19
Connection of digital remote position sensor Type 8798, M8 socket, 4-pin (optional)	20
5. Performance specifications	21
5.1. Signal flow diagram.....	21
Position control loop.....	21
Additional software options of positioner SideControl Type 8791 (extract).....	21
5.2. Interface diagram.....	22
Version without fieldbus communication	22
Version with fieldbus communication	22

DTS 1000123308 EN Version: W Status: RL (released | freigegeben | validé) printed: 13.11.2023

6. Product installation	23
6.1. Mounting options	23
NAMUR version	23
Remote version	24
Position feedback with proximity switches	25
6.2. Combination possibilities with pneumatic process valves	26
7. Ordering information	27
7.1. Bürkert eShop	27
7.2. Bürkert product filter	27
7.3. Ordering chart	27
Positioner SideControl Type 8791 NAMUR version	27
Positioner SideControl Type 8791 Remote-Version	28
Remote position sensor for remote version of SideControl Type 8791	28
7.4. Ordering chart accessories	29
Standard accessories	29
Accessories SideControl NAMUR	29
Accessories SideControl Remote	29

DTS 1000123308 EN Version: W Status: RL (released | freigegeben | valide) printed: 13.11.2023

1. General technical data

1.1. Positioner SideControl Type 8791

Product properties	
Dimensions	Further information can be found in chapter "3. Dimensions" on page 11.
Material	
Housing	Aluminium, plastic-coated
Seal	EPDM, NBR, FKM
Operation	
Operating keys	2 keys
DIP switch	Integrated
Service interface	Connected to PC via USB connection
Configuration tool	Bürkert Communicator PACTware (only for device versions with AS-Interface)
Commissioning	
Initialisation positioner	Automatic by X.TUNE function (automatic adjustment of positioner)
Status display	
Optical position indicator (mechanical)	Integrated (for NAMUR version)
Communication	
Fieldbus	AS-Interface
Digital	IO-Link, Bürkert system bus (bÜS) (based on CANopen)
Performance data	
Position sensor	
Integrated position sensor (NAMUR)	Conductive plastic rotary potentiometer
External remote position sensor	Linear or rotative
Measuring range for rotary actuator	Rotation angle 30°...180°
Stroke range for linear actuator	3...130 mm, depending on the lever of the attachment kit
Electrical data	
Operating voltage	24 V DC ±25 %
Residual ripple	Max. 10 %
Power consumption	≤3.5 W
Protection class	III according to DIN EN 61140
Electrical connection	
Multipole version	Screw terminals: M12, 4-pin resp. 8-pin according to device version (see connection description "4. Device/Process connections" on page 15)
Cable gland version	2x M20 x 1.5 (cable Ø6...12 mm) on screw terminals (0.14...1.5 mm ²)
Remote version	1x M12 x 1.5 (cable Ø 3...6.5 mm)
Pneumatic data	
Control medium	
Neutral gases, air, quality class according to ISO 8573-1	
Dust content	Class 7 (<40 µm particle size)
Particle density	Class 5 (<10 mg/m ³)
Pressure dew point	Class 3 (<-20 °C)
Oil content	Class X (<25 mg/m ³)
Air intake filter	
Exchangeable	
Mesh size	~0.1 mm
Supply pressure	1.4...7 bar ^{1,2)}
Pilot air port	Threaded port G ¼
Positioning system	
Universal air capacity	
Single and double acting	50 l _N /min (at 1.4 bar ²⁾) for aeration and ventilation 150 l _N /min (at 6 bar ²⁾) for aeration and ventilation Q _{Nn} = 100 l _N /min
Low air capacity	
Single-acting	Q _{Nn} = 7 l _N /min (Q _{Nn} according to definition at pressure drop from 7 to 6 bar absolute)

Approvals and conformities

Explosion protection

Ignition protection class	II 3D Ex tc IIIC T135 °C Dc II 3G Ex ec IIC T4 Gc
ATEX	BVS 16 ATEX E 118 X II 3G Ex ec ic IIC T4 Gc II 3D Ex tc IIIC T135 °C Dc
IECEX	IECEX BVS 16.0091 X Ex ec ic IIC T4 Gc Ex tc IIIC T135 °C Dc

Further information can be found in chapter **“2.4. Explosion protection” on page 9.**

North America (USA/Canada)

CSA for Canada and the USA	UL 429 (Electrically operated valves) CSA C22.2 No. 139 (Electrically operated valves) Further information can be found in chapter “2.5. North America (USA/Canada)” on page 9.
----------------------------	--

Others

China Compulsory Certification (CCC)	The products with Ex approval are suitable for import and use for hazardous applications in China. Further information can be found in chapter “2.6. Others” on page 10.
--------------------------------------	---

Further information can be found in chapter **“2. Approvals and conformities” on page 9.**

Environment and installation

Operating conditions

Ambient temperature	
With ATEX/IECEX approval	0...+60 °C
Without Ex approval	-10...+60 °C
Degree of protection	IP65/IP67 according to EN 60529, 4X according to NEMA 250 standard
Operating altitude	Up to 2000 m above sea level

Installation and mechanical data

Mounting variant	NAMUR according to IEC 60534 - 6 - 1 resp. VDI/VDE 3845 (IEC 60534 - 6 - 2), remote
Installation position	As required, display above or sideways
Valve actuator (type, size)	Rotary and linear actuators according to NAMUR, ELEMENT Type 2301, 2300 (actuator size Ø 70/90/130 mm) and CLASSIC (actuator size Ø 175/225 mm) in combination with remote version
Adapter kit	Further information can be found in chapter “7.4. Ordering chart accessories” on page 29.

- 1.) The supply pressure has to be 0.5...1 bar above the minimum required pilot pressure for the valve actuator.
- 2.) Pressure data: Overpressure to atmospheric pressure

1.2. Without fieldbus communication

Electrical data

Operating voltage	24 V DC ±25 %
Residual ripple	Max. 10 %
Protection class	III according to DIN EN 61140

Input/Output

Digital input	1 digital input, 0...5 V = log “0”, 10...30 V = log “1”
Analogue output	1 output (optional) 0/4...20 mA

Input data setpoint

Setpoint signal	
Set-point value setting default	4...20 mA (0...20 mA adjustable via configuration software)
Input resistance	0/4...20 mA: 75 Ω

DTS 1000123308 EN Version: W Status: RL (released | freigegeben | validé) printed: 13.11.2023

1.3. With fieldbus communication: AS-Interface

Product properties	
Profile	S- 7.3.4 output: 16 bit setpoint/certificate no. 87301 according to specification V3.0 S- 7.A.5 output: 16 bit setpoint; input: 16 bit setpoint/certificate no. 95401 according to specification V3.0
Electrical data	
Operating voltage	29.5...31.6 V DC
Via bus cable	According to specification
Max. current consumption	150 mA (without external power supply)
Electrical connection	M12, 4-pin stainless steel plug assembled up to 80 cm cable
Watchdog function	Integrated

1.4. With digital communication: IO-Link

Electrical data	
Electrical connection	M12 x 1, 5-pin, A-coded
IO-Link Revision	1.1
SIO-Mode	No
VendorID	0x0078, 120
DeviceID	The IODD file can be downloaded from our website ▶. See Software > Device Description Files.
Transmission rate	230.4 kbit/s (COM 3)
Data storage	Yes
Max. cable length	20 m
Port Class A	
Operating voltage	24 V DC ±25 % (according to specification)
Current consumption	Max. 150 mA
Port Class B	
Operating voltage	
System supply (Pin 1 + 3)	24 V DC ±25 % (according to specification)
Actuator supply (Pin 2 + 5)	24 V DC ±25 % (according to specification)
Current consumption	
System supply (Pin 1 + 3)	Max. 50 mA
Actuator supply (Pin 2 + 5)	Max. 120 mA

1.5. With digital communication: Bürkert system bus (bÜS)

Electrical data	
Operating voltage	24 V DC ±25 % (according to specification)
Electrical connection	M12 x 1, 5-pin, A-coded
Current consumption	Max. 150 mA

1.6. Linear remote position sensor (ELEMENT Type 8798)

Note:

When the positioner is mounted remotely from the actuator, the length of the pneumatic control lines influences the dynamics and achievable accuracy of the positioner control loop. The length of the control air lines should therefore be selected as short as possible.

Product properties	
Actual position signal	Digital (RS485)
Detection range of the sensor	3...45 mm (stroke range of valve spindle)
Electrical data	
Operating voltage	24 V DC \pm 25 %, UL: NEC Class 2
Protection class	III according to DIN EN 61140
Power consumption	<0.3 W
Electrical connection	
Cable gland (cable length)	1x M16 \times 1.5 (cable \varnothing 5...10 mm) on screw terminals (0.14...1.5 mm ²)
Connection cable	10 m
Approvals and conformities	
Protection class	IP65 and IP67 according to EN 60529, 4X according to NEMA 250 standard
Explosion protection	
Ignition protection class	II 3G Ex ec IIC T4 Gc II 3D Ex tc IIIC T135 °C Dc
North America (USA/Canada)	
UL Recognized for the USA and Canada	cULus certificate: 238179 Further information can be found in chapter "2.5. North America (USA/Canada)" on page 9.
Others	
China Compulsory Certification (CCC)	The products with Ex approval are suitable for import and use for hazardous applications in China. Further information can be found in chapter "2.6. Others" on page 10.
Further information can be found in chapter "2. Approvals and conformities" on page 9.	
Environment and installation	
Ambient temperature	-25...+80 °C

1.7. Rotative remote position sensor (NAMUR)

Note:

When mounting the remote positioner away from the actuator, the length of the pneumatic control lines influences the dynamics and accuracy of the position control loop. The length of the control air lines should therefore be as short as possible.

Product properties	
Stroke range when mounted to linear actuator	3...130 mm, depending on the lever in the attachment kit
Actual position signal	Digital (RS485)
Measuring range	Rotation angle 30°...180°
Electrical data	
Operating voltage	10...30 V DC
Protection class	III according to DIN EN 61140
Power consumption	<0.8 W
Electrical connection	2 m round cable (shielded)
Approvals and conformities	
Protection class	IP65 according to EN 60529
North America (USA/Canada)	
UL Recognized for the USA and Canada	cULus certificate: E226909 Further information can be found in chapter "2.5. North America (USA/Canada)" on page 9.
Further information can be found in chapter "2. Approvals and conformities" on page 9.	
Environment and installation	
Ambient temperature	-25...+80 °C

1.8. Position feedback with proximity switches (accessories for retrofitting)

Note:

The feedback unit possesses 2 proximity switches that can be adjusted independently of each other via switch flags.

Product properties	
Output function	3-wire, normally open contact, PNP
Electrical data	
Electrical connection	M12, 4-pin
Operating voltage	10...30 V DC
Protection class	III according to DIN EN 61140
DC-rated current	≤ 100 mA
Residual ripple	≤ 10 % U _{ss}
Approvals and conformities	
Degree of protection	IP65 and IP67
Further information can be found in chapter "2. Approvals and conformities" on page 9.	

2. Approvals and conformities

2.1. General notes

- The approvals and conformities listed below must be stated when making enquiries. This is the only way to ensure that the product complies with all required specifications.
- Not all available versions can be supplied with the below mentioned approvals or conformities.

2.2. Conformity



In accordance with the Declaration of Conformity, the product is compliant with the EU Directives.

2.3. Standards

The applied standards which are used to demonstrate compliance with the EU Directives are listed in the EU-Type Examination Certificate and/or the EU Declaration of Conformity.


2.4. Explosion protection

Positioner SideControl Type 8791


Approval	Description
 	Optional: Explosion protection ATEX: BVS 16 ATEX E 118 X II 3G Ex ec ic IIC T4 Gc II 3D Ex tc IIIC T135 °C Dc IECEx: IECEx BVS 16.0091 X Ex ec ic IIC T4 Gc Ex tc IIIC T135 °C Dc

2.5. North America (USA/Canada)

Positioner SideControl Type 8791

Approval	Description
 C US	Optional: CSA for Canada and the USA The products are CSA approved for Canada and the USA according to: <ul style="list-style-type: none"> • UL 429 (Electrically operated valves) • CSA C22.2 No. 139 (Electrically operated valves)

Linear position sensor, remote (ELEMENT Type 8798)

Approval	Description
	Optional: UL Listed for the USA and Canada The products are UL Listed for the USA and Canada according to: <ul style="list-style-type: none"> • UL 61010-1 (ELECTRICAL EQUIPMENT FOR MEASUREMENT, CONTROL, AND LABORATORY USE – Part 1: General Requirements) • CAN/CSA-C22.2 No. 61010-1


Rotative position sensor, remote (NAMUR Type 8798)

Approval	Description
	Optional: UL Listed for the USA and Canada The products are UL Listed for the USA and Canada according to: Certificate no: E226909

2.6. Others

China Compulsory Certification (CCC)

Positioner SideControl Type 8791 and linear position sensor, remote (ELEMENT Type 8798)

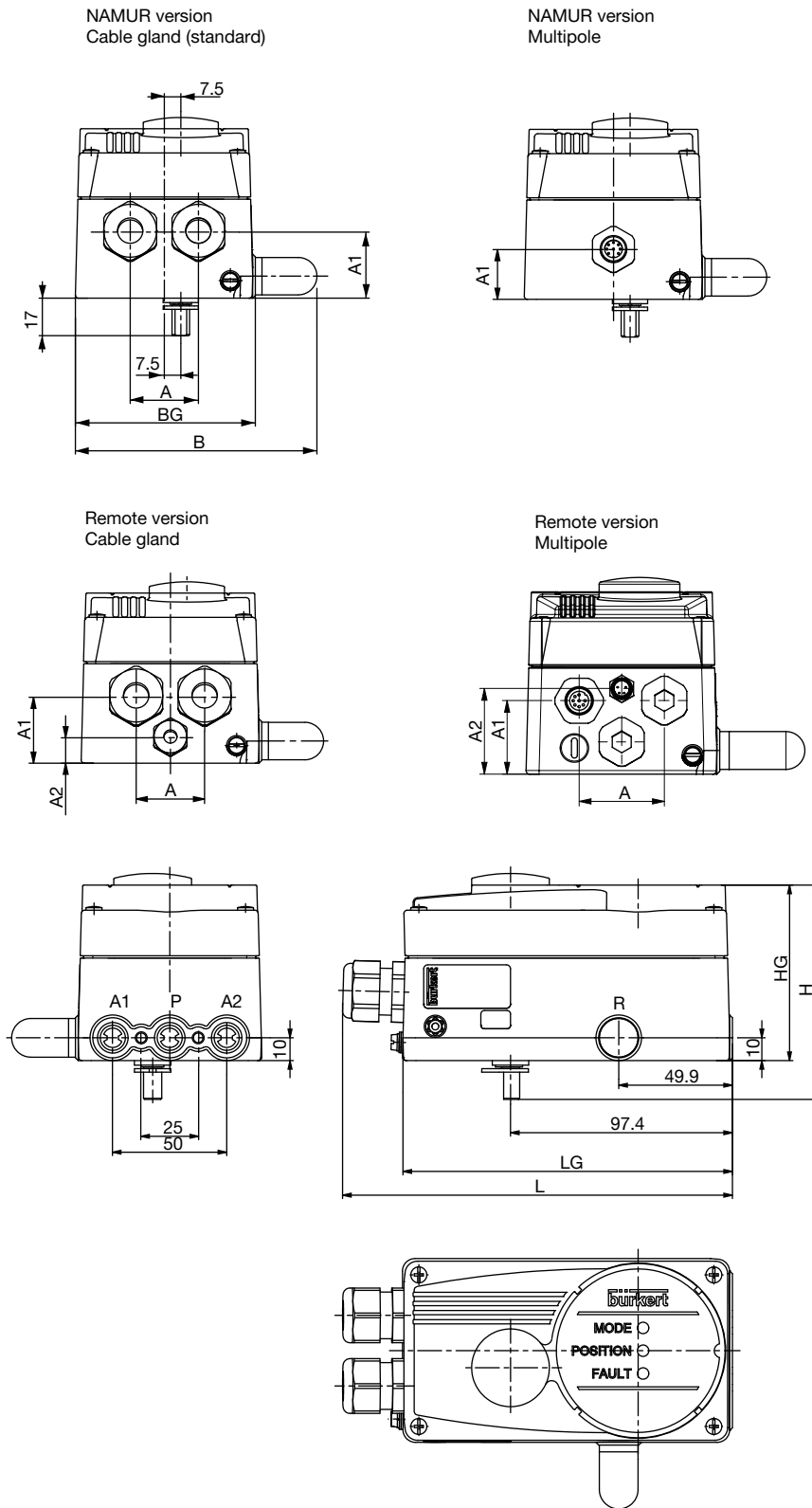
Conformity	Description
	Optional: China Compulsory Certification (CCC) The products with Ex approval are suitable for import and use for hazardous applications in China.

3. Dimensions

3.1. NAMUR/Remote Version

Note:

Dimensions in mm



DTS 1000123308 EN Version: W Status: RL (released | freigegeben | validé) printed: 13.11.2023

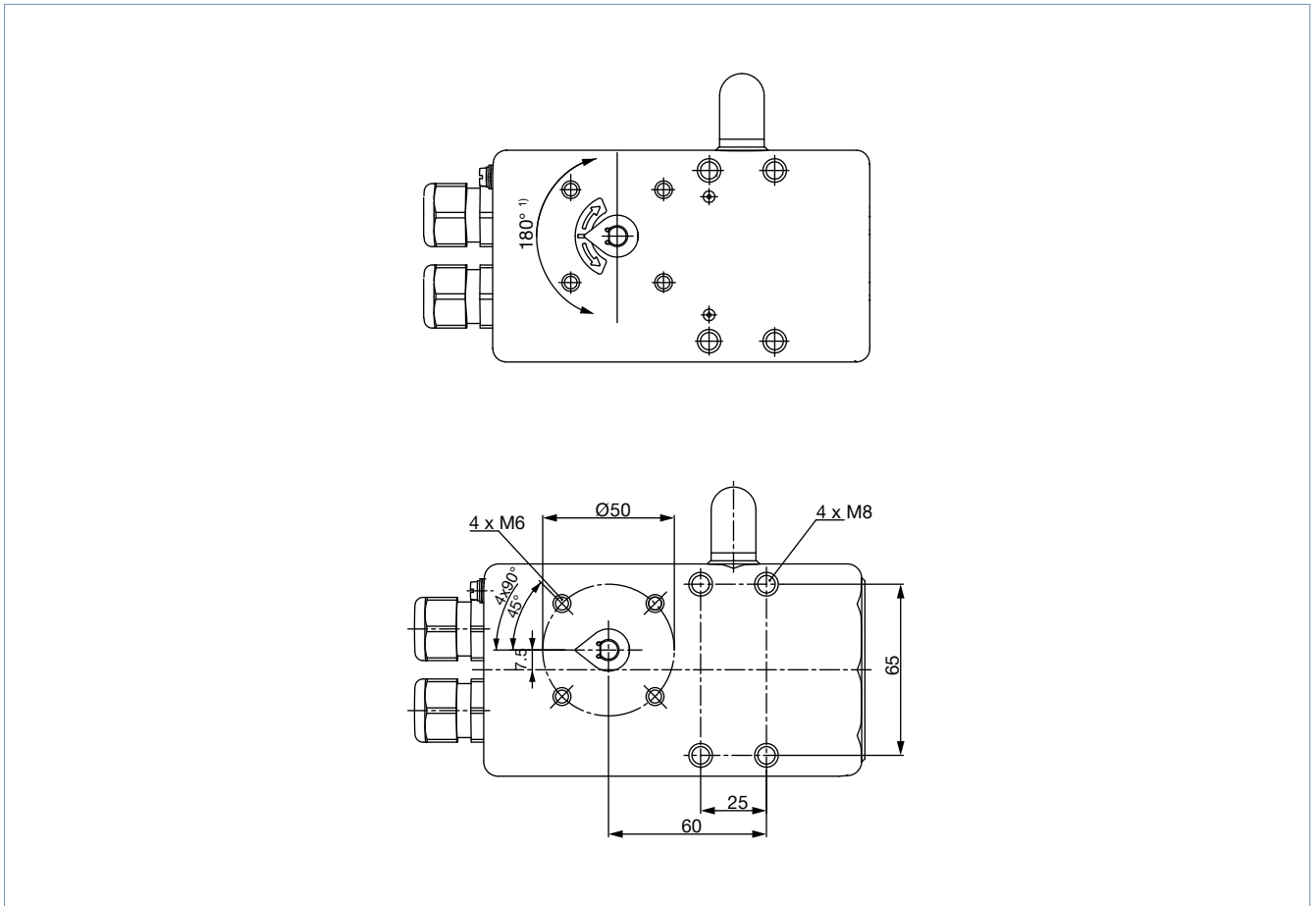
Description	LG	L	BG	B	HG	H	A	A1	A2
NAMUR cable gland	144.6	171.1	81.8	109.8	77	94.1	31	30	–
NAMUR Multipole	144.6	171.1	81.8	109.8	77	94.1	–	22.5	–
Remote cable gland	144.6	171.1	81.8	109.8	77	94.1	31	30	11.5
Remote Multipole	144.6	171.1	81.8	109.8	67	–	36	31	35.9

3.2. Mounting specification of NAMUR/Remote version

Note:

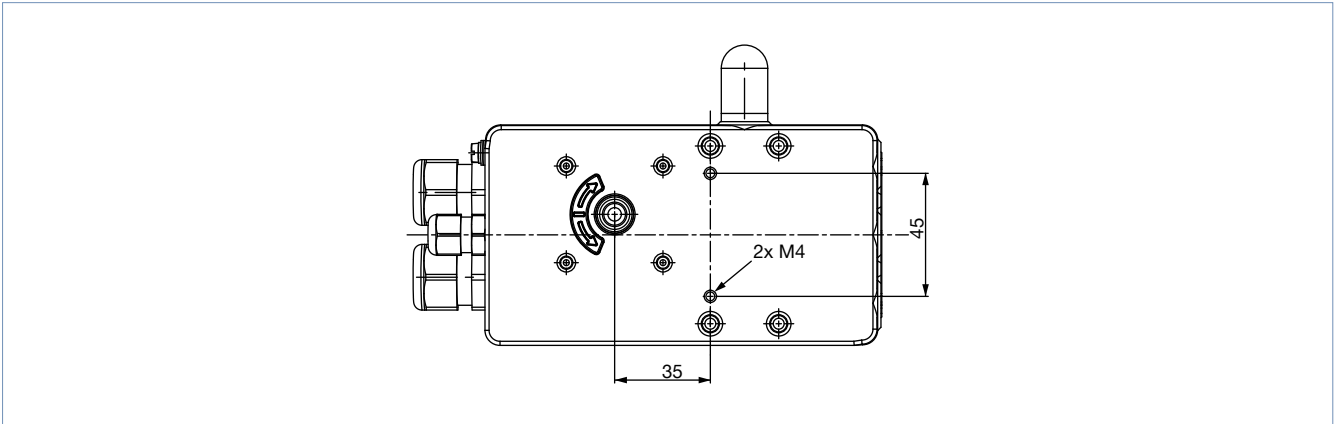
- The rotation angle of the sensor must be within a range of 180°. ^{1.)}
- The sensor shaft must be in this position at approx. 50% valve opening.
- Dimensions in mm

NAMUR version



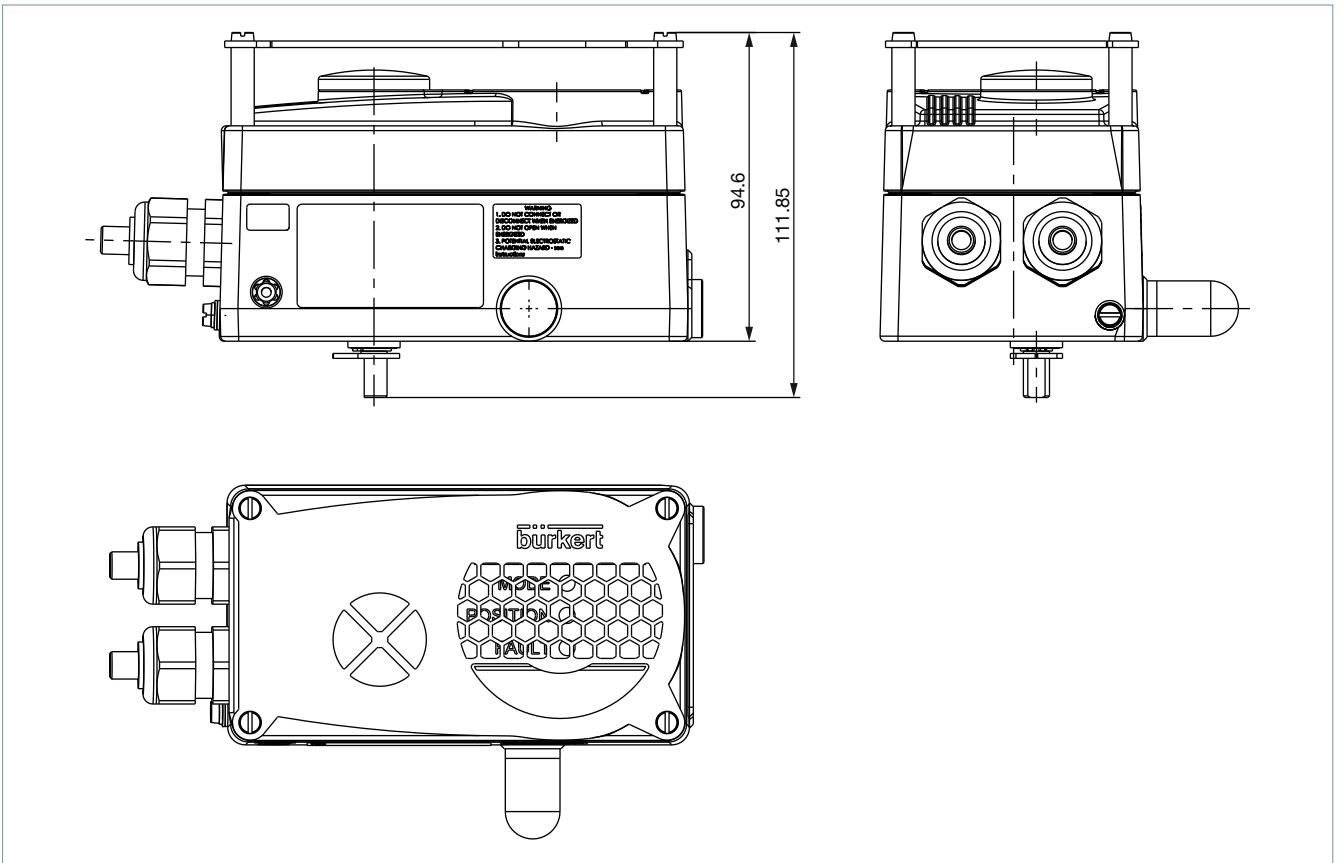
1.) Max. 180° are possible for the EtherNet/IP, PROFINET, Modbus TCP and bÜS variants, max. 150° for the other variants.

Remote version



3.3. ATEX/IECEX version

Note:
Dimensions in mm

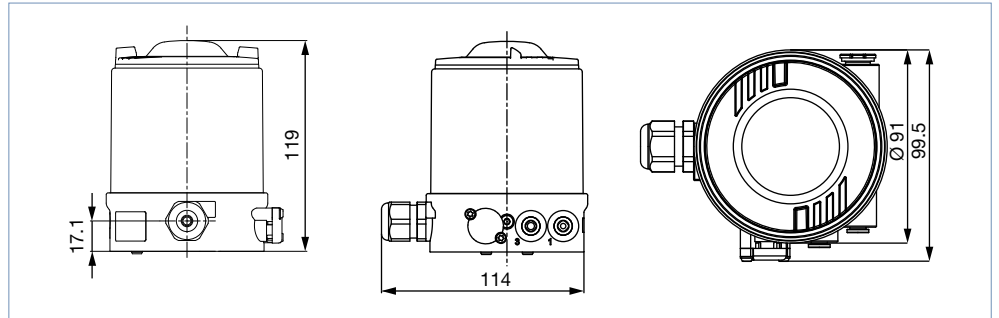


3.4. Remote position sensor version

Note:

Dimensions in mm

Linear position sensor **Type 8798** ▶, for valve position detection of Bürkert ELEMENT valves and hygienic process valves for the remote SideControl positioner .

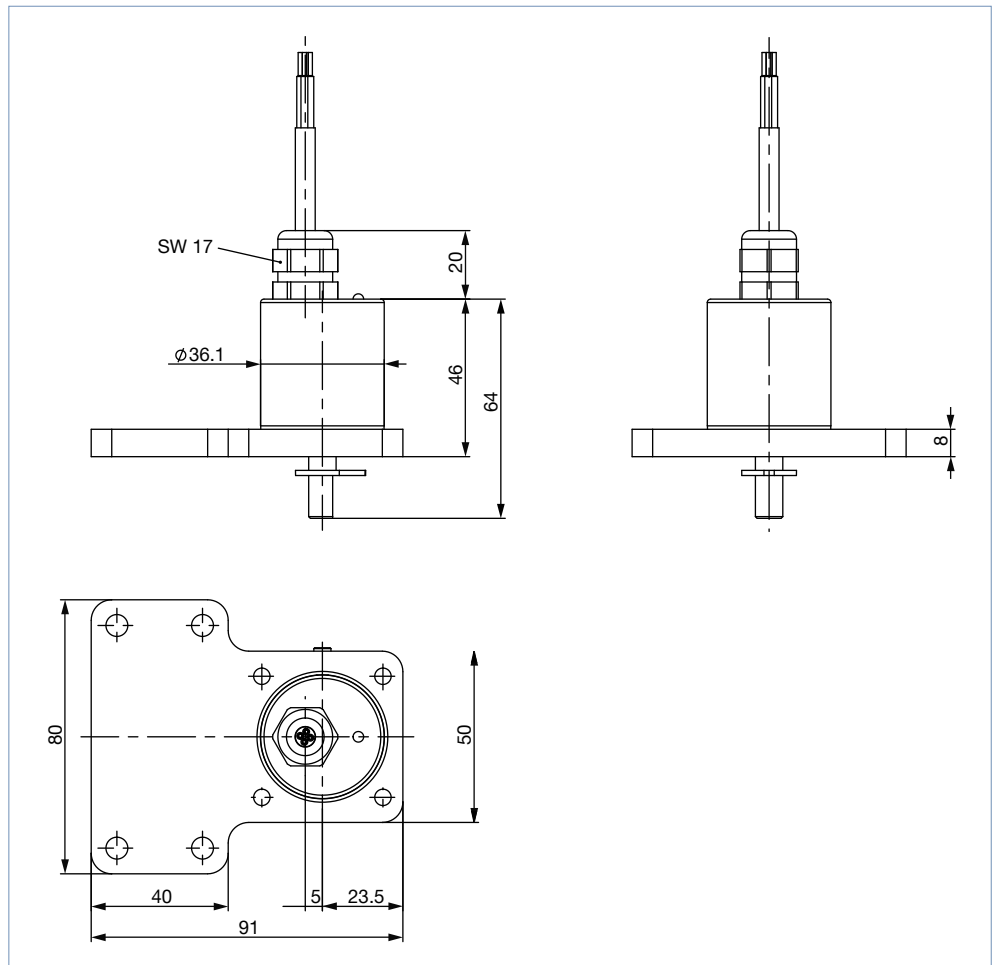


3.5. Mounting on control valve according to NAMUR

Note:

Dimensions in mm

Rotative position sensor to detect rotary motion of rotary actuators according to NAMUR/IEC 60534 - 6 - 1 and VDI/VDE 3845 (IEC 60534 - 6 - 2) for the remote SideControl positioner.

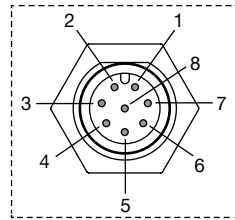


4. Device/Process connections

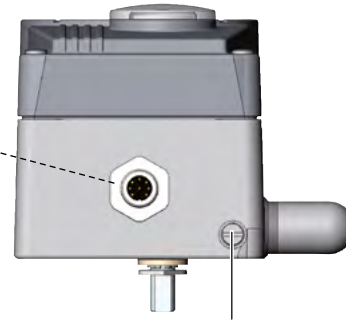
4.1. Electrical connections

Multipole connection

Operating voltage and diverse signals



M12 circular plug, 8-pin



Earthing function

M12 circular plug, 8-pin (input signals of the control centre)

Pin	Wire colour ¹⁾	Pin assignment	Outer circuitry/Signal level
1	White	Setpoint + (0/4...20 mA)	1 + (0/4...20 mA)
2	Brown	Setpoint GND	2 GND (see connection table for 3-wire or 4-wire below)
5	Grey	Digital input	5 + 0...5 V (log. "0")
			10...30 V (log. "1")
Relative to pin 3 (GND)			

Connection type 3-wire or 4-wire (setting via communication software)

Connection type 4-wire (factory setting)	Connection type 3-wire
<p>The setpoint value input is designed as a differential input, i.e. the GND lines of the set-point value input and the supply voltage are not identical.</p> <p>Note: If the GND signals of the set-point value input and the supply voltage are connected, the 3-conductor connection type must be set in the software.</p>	<p>The setpoint value input is related to the GND line of the supply voltage, i.e. setpoint input and supply voltage have a common GND line.</p>

M12 circular plug, 8-pin (output signals to the control centre, only for analogue output variant)

Option analogue feedback			
8	Red	Analogue feedback +	8 + (0/4...20 mA)
7	Blue	Analogue feedback GND	7 GND (identical to GND operating voltage)

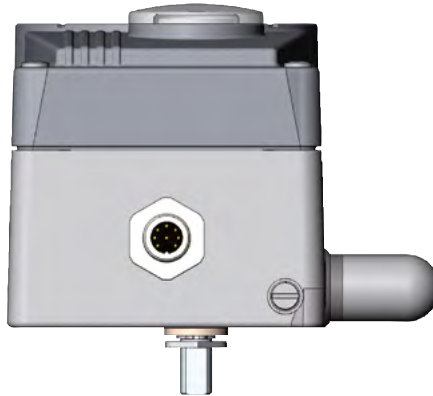
DTS 1000123308 EN Version: W Status: RL (released | freigegeben | validé) printed: 13.11.2023

Pin assignment for operating voltage

Pin	Wire colour ^{1.)}	Pin assignment	Outer circuitry/Signal level	
3	Green	GND		24 V DC ±25 % Max. residual ripple 10 %
4	Yellow	+24 V		

1.) The specified wire colours refer to the connection cable, which is available as an accessory with the Article no. 919061

AS-Interface connection



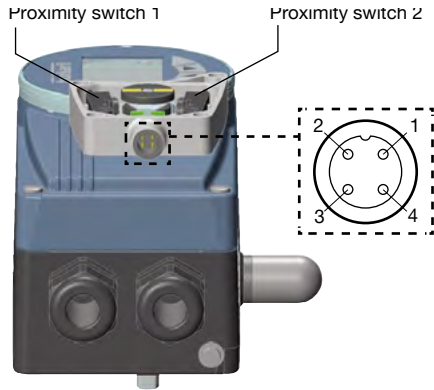
M12 circular plug, 4-pin, without external power supply			
	Pin	Description	Pin assignment
	1	Bus +	Bus cable AS-Interface +
	2	NC	Not assigned
	3	Bus -	Bus cable AS-Interface -
	4	NC	Not assigned

M12 circular plug, 4-pin, with external power supply (on request)			
	Pin	Description	Pin assignment
	1	Bus +	Bus cable AS-Interface +
	2	GND	External power supply
	3	Bus -	Bus cable AS-Interface -
	4	24 V +	External power supply

DTS 1000123308 EN Version: W Status: RL (released | freigegeben | valide) printed: 13.11.2023

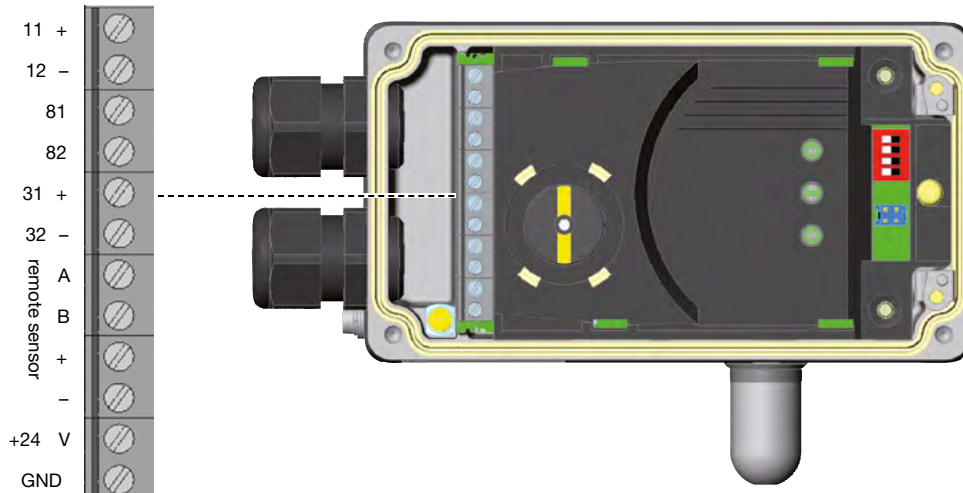
Position feedback with proximity switches

Note:
Accessories for upgrading



No.	Pin assignment	Outer circuitry/Signal level
1	Supply 10...30 V	+10...30 V 10...30 V
2	Switching output (NO) proximity switches 1	+10...30 V Open/10...30 V
3	GND	GND GND
4	Switching output (NO) proximity switches 2	+10...30 V Open/10...30 V

Cable gland



Terminal	Pin assignment	External circuitry/signal level
11 +	Setpoint +	11 + + (0/4...20 mA)
12 -	Setpoint GND	12 - GND (see connection table for 3-wire or 4-wire below)
81 +	Digital input +	81 + + 0...5 V (log. "0") 10...30 V (log. "1")
82 -	Digital input -	82 - GND (identical to GND operating voltage)

Connection type 3-wire or 4-wire (setting via communication software)

Connection type 4-wire (factory setting)	Connection type 3-wire
<p>The set-point value input is designed as a differential input, i.e. the GND lines of the set-point value input and the supply voltage are not identical.</p> <p>Note: If the GND signals of the set-point value input and the supply voltage are connected, the 3-wire connection type must be set in the software.</p>	<p>The set-point value input is related to the GND line of the supply voltage, i.e. setpoint input and supply voltage have a common GND line</p>

Option analogue feedback

Terminal	Pin assignment	Outer circuitry/Signal level
31 +	Analogue feedback +	31 + + (0/4...20 mA)
32 -	Analogue feedback GND	32 - GND (identical to GND operating voltage)

Terminal assignment for operating voltage

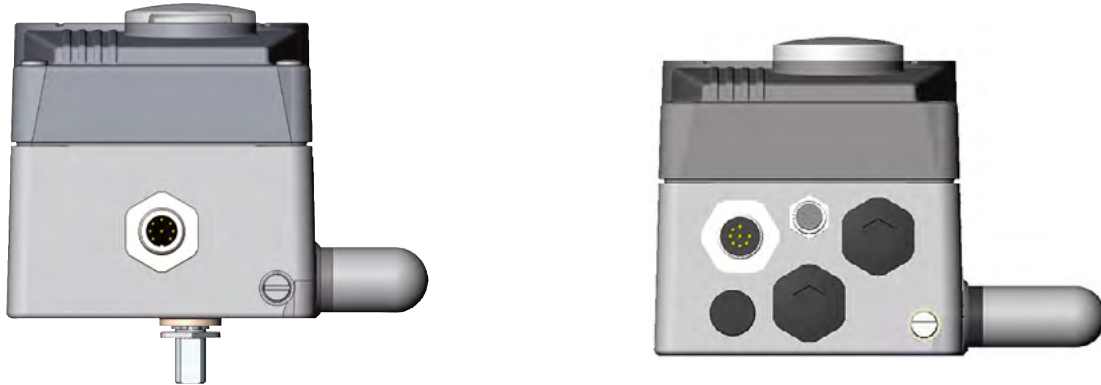
Terminal	Pin assignment	Outer circuitry/Signal level
+24 V	Operating voltage +	+24 V 24 V DC ±25 %
GND	Operating voltage GND	GND Max. residual ripple 10 %

Remote version option in conjunction with remote position sensor Type 8798

Terminal	Pin assignment	Outer circuitry/Signal level	
Position sensor Remote	S +	Sensor supply +	S + +
	S -	Sensor supply -	S - -
	A	Serial interface, A-line	A A-line
	B	Serial interface, B-line	B B-line

DTS 1000123308 EN Version: W Status: RL (released | freigegeben | valide) printed: 13.11.2023

IO-Link connection



M12 circular plug, 5-pin, Port Class A

Pin	Description	Pin assignment	
		Pin assignment	
1	L +	24 V DC	System supply
2	I/Q	NC	Not connected
3	L -	0 V (GND)	System supply
4	C/Q	IO-Link	Communication
5	NC	NC	Not connected

M12 circular plug, 5-pin, Port Class B

Pin	Description	Pin assignment	
		Pin assignment	
1	L +	24 V DC	System supply
2	P24	24 V DC	Actuator supply
3	L -	0 V (GND)	System supply
4	C/Q	IO-Link	Communication
5	N24	0 V (GND)	Actuator supply

Connection of digital remote position sensor Type 8798, M8 socket, 4-pin (optional)

Circular plug	Pin	Pin assignment	Outer circuitry/Signal level	
	1	Sensor supply +	S +	+
	2	Sensor supply -	S -	-
	3	Serial interface, A-line	A	A-line
	4	Serial interface, B-line	B	B-line

Bürkert system bus (būS) connection

M12 circular plug, 5-pin		
Pin	Description	Cable colour
1	CAN Shielding	CAN Shielding
2	+24 V DC $\pm 25\%$, max. residual ripple 10 %	Red
3	GND/CAN_GND	Black
4	CAN_H	White
5	CAN_L	Blue

DTS 1000123308 EN Version: W Status: RL (released | freigegeben | validé) printed: 13.11.2023

Connection of digital remote position sensor Type 8798, M8 socket, 4-pin (optional)

Circular plug	Pin	Pin assignment	Outer circuitry/Signal level			
	1	Sensor supply +	S +		+	
	2	Sensor supply -	S -		-	
	3	Serial interface, A-line	A		A-line	
	4	Serial interface, B-line	B		B-line	

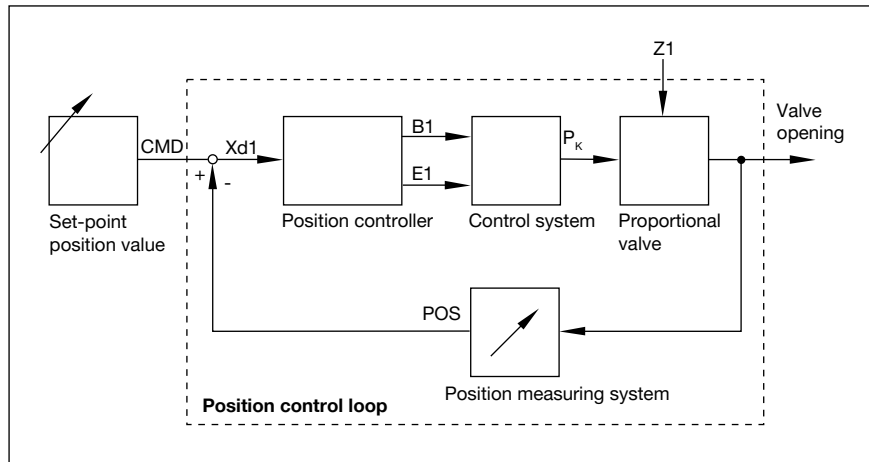
Positioner terminal	Wire colour Remote sensor with cable type 1	Wire colour Remote sensor with cable type 2
S +	Brown	Brown
S -	White	Black
A	Green	Red
B	Yellow	Orange

DTS 1000123308 EN Version: W Status: RL (released | freigegeben | validé) printed: 13.11.2023

5. Performance specifications

5.1. Signal flow diagram

Position control loop



Additional software options of positioner SideControl Type 8791 (extract)

SideControl BASIC functions

- Automatic commissioning of control system
- Digital input (safety position)
- Analogue position feedback (optional)

DIP-Switch activated device

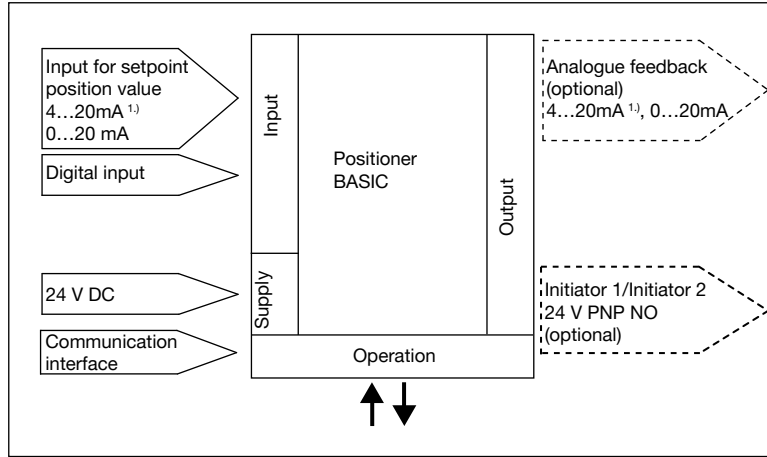
- Close tight function
- Inversion of operating direction of setpoint signal
- Linear characteristic curves selection or customised programming (software interface)
- Manual and automatic operation

Communications software with activatable and parameter driven functions

- Customised programming of transmission characteristics
- Selection of setpoint signal
- Range splitting setpoint signal
- Limitation of valve stroke
- Limitation of operation speed
- Definition of safety position
- Signal failure detection

5.2. Interface diagram

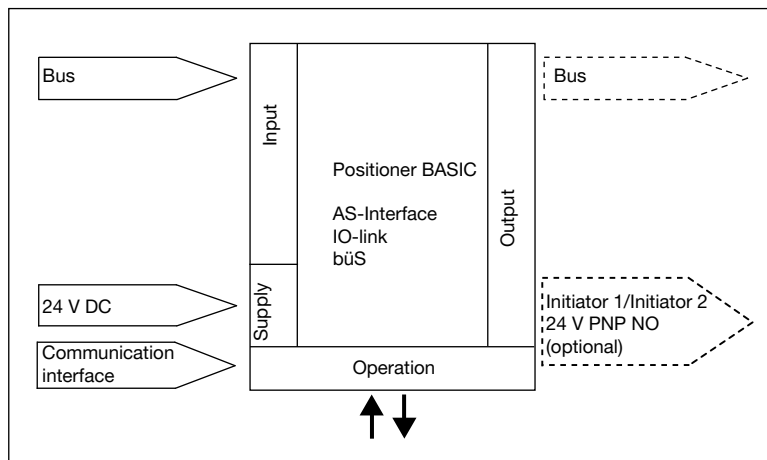
Version without fieldbus communication



1.) Default setting

Version with fieldbus communication

AS-Interface, IO-Link and Bürkert system bus (büS)



6. Product installation

6.1. Mounting options

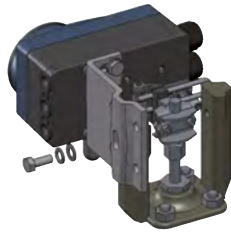
NAMUR version

Note:

Positioner with integrated position sensor, installation according to NAMUR/IEC 60534-6-1 and VDI/VDE 3845 (IEC 60534-6-2)

The NAMUR version of the SideControl positioner is equipped with an integrated position sensor (linear or rotary). It has a standardised interface for direct attachment to linear actuators according to NAMUR/IEC 60534-6-1 and VDI/VDE 3845 (IEC 60534-6-2).

Linear actuators	Rotary actuators
See operating manual Type 8791 ▶	See operating manual Type 8791 ▶



Description	Article no.	Description	Article no.
Mounting kit	787215	Adapter kit	787338
		Mounting bracket	770294

<p>Adapter kit for rotary actuators (Article no. 787338)</p>	<p>Mounting bracket for rotary actuator (Article no. 770294)</p>
---	---

Actuator shaft height [mm]	A [mm]	B [mm]	C [mm]
20	46.5	80	-
30	56.5	80	130
50	76.5	-	130

DTS 1000123308 EN Version: W Status: RL (released | freigegeben | validé) printed: 13.11.2023



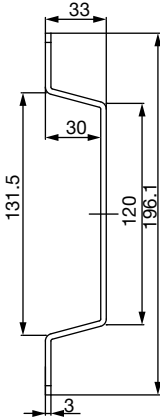
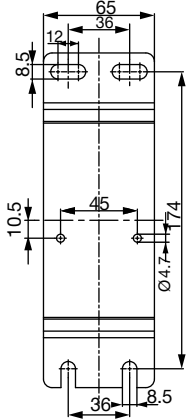
Remote version

Note:

- Dimensions in mm
- 2 mounting options

The SideControl positioner remote version is used to control process control valves in combination with a remote position sensor. The remote position sensor is mounted directly on the valve to detect the valve position. The remote positioner can be mounted on the wall or on a standard rail in a control cabinet.

Wall mounting with accessory bracket

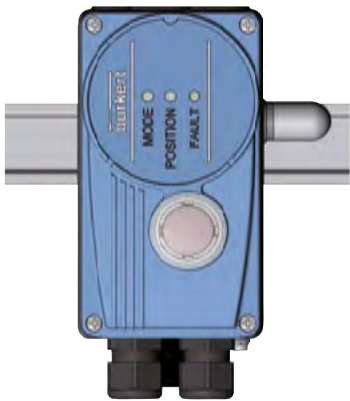
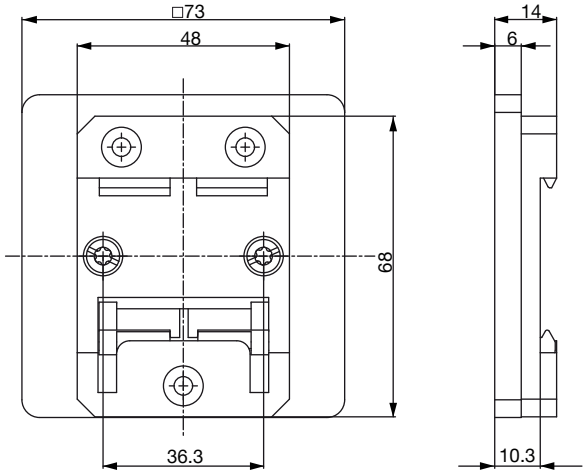





Description	Article no.
Bracket for wall mounting	675715

Mounting on Standard rail

Note:

- Dimensions in mm
- Adapter can be turned by 90° the standard rail.

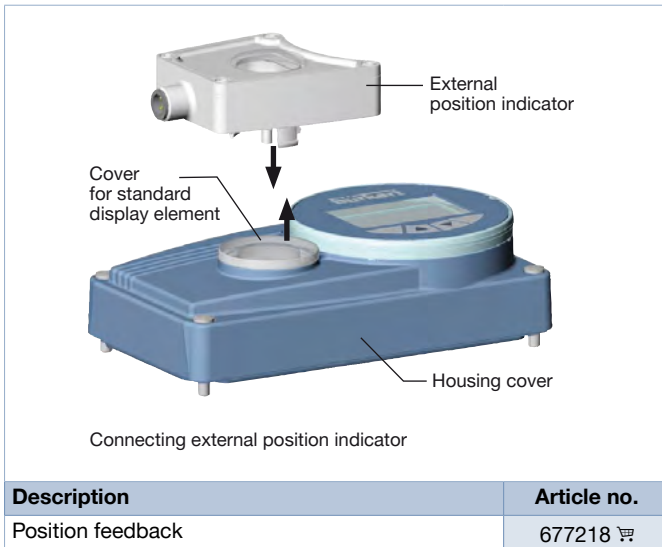
Description	Article no.
Holder for standard rail mounting	675702

DTS 1000123308 EN Version: W Status: RL (released | freigegeben | validé) printed: 13.11.2023

Position feedback with proximity switches

Note:






Upgrade feature for SideControl NAMUR



6.2. Combination possibilities with pneumatic process valves

Note:


Further information can be found in chapter “7. Ordering information” on page 27.

Positioner SideControl 8791 BASIC	8791 NAMUR		8791 Remote		8791 Remote	
						
Remote IP20 ^{1.)}	<p>Linear actuators IEC 60534 - 6 - 1</p> <p>Rotary actuators VDI/VDE 3845 (IEC 60534 - 6 - 2)</p>		<p>Linear actuators IEC 60534 - 6 - 1</p> <p>Rotary actuators VDI/VDE 3845 (IEC 60534 - 6 - 2)</p>		Control valve system	
	<p>Type 8805 ▶ Ball valve/Butterfly valve with pneumatic rotary actuator</p>		<p>Type 8798 ▶ Remote sensor for pneumatically actuated process valves</p>		<p>Type 2300 ▶ Pneumatically actuated 2-way angle seat control valve ELEMENT + Type 8798 ▶ Remote sensor for pneumatically actuated process valves</p>	

1.) Remote IP20 version for cabinet mounting

7. Ordering information

7.1. Bürkert eShop

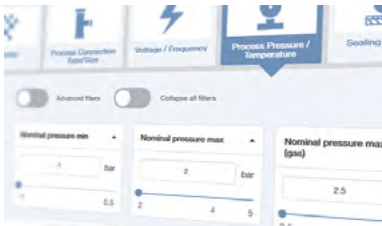


Bürkert eShop – Easy ordering and quick delivery

You want to find your desired Bürkert product or spare part quickly and order directly? Our online shop is available for you 24/7. Sign up and enjoy all the benefits.

[Order online now](#)

7.2. Bürkert product filter



Bürkert product filter – Get quickly to the right product

You want to select products comfortably based on your technical requirements? Use the Bürkert product filter and find suitable articles for your application quickly and easily.

[Try out our product filter](#)

7.3. Ordering chart

Positioner SideControl Type 8791 NAMUR version

Note:

Mounting according to NAMUR IEC 60534-6-1 resp. VDI/VDE 3845 (IEC 60534-6-2)

Control function	Pilot valve system/ Air capacity	Communication	Electrical connection	Feedback	Digital input	ATEX II 3GD/ IECEx, CCC ^{1.)}	Article no.
Single-acting and double-acting	Universal	Without	Cable gland	–	Yes	–	323214
				Analogue	Yes	–	323217
				–	Yes	Yes	391979
			Multipole	Analogue	Yes	Yes	391981
				–	Yes	–	323213
				Analogue	Yes	–	323216
		AS-Interface	Digital	–	–	239617	
			Digital	–	Yes	310305	
			IO-Link Port Class A	Multipole	Digital	–	–
		Multipole		Digital	–	Yes	20032777
		IO-Link Port Class B	Multipole	Digital	–	–	323207
			Multipole	Digital	–	Yes	20023480
Bürkert system bus (bùS)	Multipole	Digital	–	–	323210		

1.) CCC (China Compulsory Certificate) for device versions with Ex approval

DTS 1000123308 EN Version: W Status: RL (released | freigegeben | validé) printed: 13.11.2023

Positioner SideControl Type 8791 Remote-Version

Assembly variations	Actuator size ELEMENT	Control function	Pilot valve system/ Air capacity	Communi-cation	Electrical connec-tion	Feed-back	Digital input	ATEX II 3GD/ IECEx CCC ^{1.)}	Article no.
Remote	Ø 70/90 mm	Single-acting	Low	Without	Cable gland	-	Yes	-	323220
						Analogue	Yes	-	323225
		Single and double-acting	Universal			-	Yes	-	323219
						Analogue	Yes	-	323224
	Ø 70/90 mm	Single-acting	Low	IO-Link Port class A	Multipole	Digital	-	-	20032776
						Digital	-	Yes	On request
	Ø 130 mm	Single and double-acting	Universal			Digital	-	-	20032775
						Digital	-	Yes	20032477
	Ø 70/90 mm	Single-acting	Low	IO-Link Port class B	Multipole	Digital	-	-	323208
						Digital	-	Yes	On request
	Ø 130 mm	Single and double-acting	Universal			Digital	-	-	323209
						Digital	-	Yes	On request
	Ø 70/90 mm	Single-acting	Low	Bürkert system bus (büS)	Multipole	Digital	-	-	323212
						Digital	-	-	323211
Ø 130 mm	Single and double-acting	Universal	Digital			-	-	323212	
			Digital			-	-	323211	
Remote IP20	Ø 70/90 mm	Single-acting	Low	Without	Cable gland	-	Yes	-	On request
						Analogue	Yes	-	On request
	Ø 130 mm	Single and double-acting	Universal			-	Yes	-	On request
						Analogue	Yes	-	On request

1.) CCC (China Compulsory Certificate) for device versions with Ex approval

Remote position sensor for remote version of SideControl Type 8791

Product	Mounting version	Electrical connection	cULus	ATEX II 3 GD/IECEx CCC ^{1.)}	Article no.
Mounting on control valves					
	Control valve Type 23xx	Cable gland - 10 m round cable	Yes	-	300730
		Cable gland - 10 m round cable	-	Yes	20003944
		Multipole - 10 m round cable	Yes	-	307956
	Control valve Type 27xx	Cable gland - 10 m round cable	Yes	-	211535
		Cable gland - 10 m round cable	-	Yes	226859
		Multipole - 10 m round cable	Yes	-	329888
NAMUR mounting					
	NAMUR (rotative)	Cable gland 2 m round cable (extendable to 10 m maximum)	Yes	-	211536

1.) CCC (China Compulsory Certificate) for device versions with Ex approval

DTS 1000123308 EN Version: W Status: RL (released | freigegeben | valide) printed: 13.11.2023

Further versions on request	
	Approval Remote sensor ATEX Cat. 3

7.4. Ordering chart accessories

Standard accessories

Note:

The associated communication software can be downloaded under **Type 8791** ▶.

Description	Article no.
M12 circular socket with cable, 8-pin, cable length: 5 m, for input and output signals	919267
M8 plug, 4-pin for binary outputs, with solder joints	917131
USB bÜS interface set 2 (Type 8923) for connection to the Bürkert Communicator software: including bÜS stick, connection cable to M12 plug, M12 connection cable on micro USB for the bÜS service interface and Y distributor, cable length: 0.7 m	772551
bÜS cable extension, M12, cable length: 1 m	772404
bÜS cable extension, M12, cable length: 3 m	772405
bÜS cable extension, M12, cable length: 5 m	772406
bÜS cable extension, M12, cable length: 10 m	772407
Silencer G ¼	780780
USB interface for serial communication	227093
Software Bürkert Communicator	Type 8920 ▶
AS-Interface flat cable clamp, M12 outlet, stainless steel outlet	799646

Accessories SideControl NAMUR

Note:

Further information can be found in chapter **“6. Product installation”** on page 23.

Description	Article no.
VDI/VDE 3845 stainless steel universal assembly bridge (IEC60534 -6 -2)	770294
Attachment kit for stainless steel rotary actuators according to VDI/VDE 3845 (IEC 60534 -6 -2)	787338
Attachment kit for linear actuators according to IEC 60534 -6 -1	787215
Position feedback with proximity switches (optional upgrade feature) ^{1.)}	677218

1.) External end position feedback for upgrading SideControl NAMUR

Accessories SideControl Remote

Description	Article no.
Mounting bracket for stainless steel wall mount (spare part), see “6. Product installation” on page 23	675715
Standard rail assembly kit aluminium/stainless steel, see “6. Product installation” on page 23	675702
Attachment kit for Type 21xx/23xx actuator series, actuator size Ø 70/90/130 mm	679917
Adapter kit remote sensor, control valves Type 27xx, actuator size Ø 175/225 mm	679945
Sensor puck (replacement part)	682240

DTS 1000123308 EN Version: W Status: RL (released | freigegeben | validé) printed: 13.11.2023