

## Type 2012

Globe control valve, pneumatically operated  
Actuator sizes 40 mm - 125 mm, Nominal diameter DN10 - 65  
Kolbengesteuertes Geradsitzventil  
Antriebsgrößen 40 mm - 125 mm, Nennweiten DN10 - 65  
Vanne à siège droit commandée par piston  
Tailles d'actionneur 40 mm - 125 mm, Diamètre nominal DN10 - 65



## Operating Instructions

Bedienungsanleitung  
Manuel d'utilisation

We reserve the right to make technical changes without notice.  
Technische Änderungen vorbehalten.  
Sous réserve de modifications techniques.

© 2000 - 2022, Bürkert Werke GmbH & Co. KG

Operating Instructions 2211/25\_EU-ML\_00804072 / Original DE

<b>1</b>	<b>OPERATING INSTRUCTIONS</b> .....	<b>4</b>	<b>8</b>	<b>INSTALLATION</b> .....	<b>16</b>
1.1	Symbols .....	4	8.1	Safety instructions .....	16
1.2	Definition of the term "device" .....	4	8.2	Before installation .....	17
<b>2</b>	<b>INTENDED USE</b> .....	<b>5</b>	8.3	Installing valve body .....	17
<b>3</b>	<b>BASIC SAFETY INSTRUCTIONS</b> .....	<b>5</b>	8.4	Pneumatic connection .....	19
<b>4</b>	<b>GENERAL NOTES</b> .....	<b>6</b>	8.5	Disassembly .....	20
4.1	Contact addresses .....	6	<b>9</b>	<b>MAINTENANCE, CLEANING</b> .....	<b>20</b>
4.2	Warranty .....	6	9.1	Safety instructions .....	20
4.3	Information on the Internet .....	6	9.2	Maintenance work .....	21
<b>5</b>	<b>SYSTEM DESCRIPTION</b> .....	<b>7</b>	9.3	Changing the valve set .....	21
5.1	General description .....	7	<b>10</b>	<b>FAULTS</b> .....	<b>23</b>
<b>6</b>	<b>STRUCTURE AND FUNCTION</b> .....	<b>7</b>	<b>11</b>	<b>SPARE PARTS</b> .....	<b>23</b>
6.1	Structure .....	7	11.1	Replacement part set .....	23
6.2	Function .....	8	11.2	Overview of spare parts .....	24
<b>7</b>	<b>TECHNICAL DATA</b> .....	<b>9</b>	<b>12</b>	<b>TRANSPORTATION, STORAGE, DISPOSAL</b> .....	<b>24</b>
7.1	Standards and directives .....	9			
7.2	Type label .....	10			
7.3	Conversion of actuator sizes .....	10			
7.4	Operating conditions .....	10			
7.5	Control functions .....	16			
7.6	Mechanical data .....	16			

# 1 OPERATING INSTRUCTIONS

The operating instructions describe the entire life cycle of the device. Keep these instructions in a location which is easily accessible to every user and make them available to every new owner of the device.

## Important safety information!

Failure to observe these instructions may result in hazardous situations.

- ▶ The operating instructions must be read and understood.

## 1.1 Symbols



### DANGER!

#### Warns of an immediate danger!

- ▶ Failure to observe these instructions will result in death or serious injuries.



### WARNING!

#### Warns of a potentially hazardous situation!

- ▶ Failure to observe these instructions may result in serious injuries or death.



### CAUTION!

#### Warns of a potential danger!

- ▶ Failure to observe these instructions may result in moderate or minor injuries.

### NOTE!

#### Warns of damage!

- ▶ Failure to observe these instructions may result in damage to the device or the system.



Indicates important additional information, tips and recommendations.



Refers to information in these operating instructions or in other documentation.

- ▶ Designates instructions to avoid a danger.
- Highlights a procedure which you must carry out.

## 1.2 Definition of the term "device"

The term "device" used in these instructions always refers to the Type 2012 piston-operated globe valve.

In these instructions, the unit bar stands for relative pressure. The absolute pressure is stated separately in bar (abs).

## 2 INTENDED USE

Improper use of Type 2012 may be hazardous to persons, systems in the vicinity and the environment.

- ▶ The device is designed to control the flow of liquid and gaseous media.
- ▶ In potentially explosive environments, the device must only be used in accordance with the specifications on the separate Ex-type label. The additional information and safety instructions relating to Ex areas enclosed with the device must be adhered to when deploying the device.
- ▶ Devices without a separate Ex-type label must not be used in potentially explosive areas. Note the permissible data, operating and usage conditions specified in the contract documentation and operating instructions. These are described in Chapter „[Technical data](#)“.
- ▶ Use the device only in conjunction with third-party devices and components recommended or approved by Bürkert.
- ▶ Prerequisites for safe and trouble-free operation are correct transport, correct storage and installation as well as careful operation and maintenance.
- ▶ Use the device only as intended.

## 3 BASIC SAFETY INSTRUCTIONS

These safety instructions do not take account of any:

- Contingencies or events which may occur during installation, operation and maintenance of the devices.
- Local safety regulations that are within the operator's scope of responsibility, including those relating to the installation personnel.



### High pressure danger!

- ▶ Before loosening lines or valves, switch off the pressure and bleed the lines.

### Danger due to electric voltage.

- ▶ Before accessing the device or the system, switch off the power supply and secure it to prevent reactivation!
- ▶ Observe the applicable accident prevention regulations and safety regulations for electrical devices.

### Risk of injury when opening the actuator.

The actuator contains a spring under tension. The spring that ejects when the actuator opens may cause injuries.

- ▶ Do not open the actuator.

### Risk of injury due to moving parts in the device.

- ▶ Do not reach into openings.

#### **Risk of burns.**

The device surface can become hot during continuous operation.

- ▶ Do not touch the device with your bare hands.

#### **General hazardous situations.**

To prevent injuries, ensure that:

- ▶ The system cannot be activated unintentionally.
- ▶ Installation and maintenance may be performed by authorised technicians only and with the appropriate tools.
- ▶ The process must be restarted in a defined or controlled manner after an interruption in the power supply or pneumatic supply.
- ▶ Device may be operated only when in perfect condition and in consideration of the operating instructions.
- ▶ The general rules of technology must be followed for application planning and operation of the device.

Please observe the following in order to protect against damage to the device:

- ▶ Feed only those media listed in chapter „7 Technical data“ into the medium ports.
- ▶ Do not place the valve under mechanical stress (e.g. by placing objects on it or standing on it).
- ▶ Do not make any external modifications to the valves.
- ▶ Do not paint housing parts or screws.

## **4 GENERAL NOTES**

### **4.1 Contact addresses**

#### **Germany**

Bürkert Fluid Control Systems  
Sales Centre  
Christian-Bürkert-Str. 13–17  
D-74653 Ingelfingen  
Tel. +49 (0) 7940 - 10 91 111  
Fax +49 (0) 7940 - 10 91 448  
E-mail: [info@burkert.com](mailto:info@burkert.com)

#### **International**

The contact addresses can be found on the back pages of the printed operating instructions.

They are also available online at: [www.burkert.com](http://www.burkert.com)

### **4.2 Warranty**

A precondition for the warranty is that the Type 2012 globe valve is used as intended in consideration of the specified operating conditions.

### **4.3 Information on the Internet**

Operating instructions and data sheets for Type 2012 can be found online at: [country.burkert.com](http://country.burkert.com)

## 5 SYSTEM DESCRIPTION

### 5.1 General description

The 2/2-way globe valve Type 2012 is suitable for liquid and gaseous media. Using neutral gases or air (control media), it controls the flow of water, alcohol, oil, fuel, hydraulic fluid, saline solution, lye, organic solvents and vapour (flow media).

One special characteristic of the globe valves are screwed-in seats, which can be replaced when needed.

#### 5.1.1 Restrictions



#### WARNING!

##### Risk of injury from pressure surge!

A pressure surge could cause lines and the device to burst. Because of the risk of pressure surge, **valves with the flow direction above the seat must not be used for fluid media.**

- ▶ Observe the type of flow and type of medium for operating the device.

## 6 STRUCTURE AND FUNCTION

### 6.1 Structure

The globe valve consists of a pneumatically actuated piston actuator and a 2-way globe valve body.

The actuator is made from PA, or PPS for special operating conditions. The self-adjusting packing gland guarantees a high degree of tightness. The stainless steel valve body facilitates high flow values.

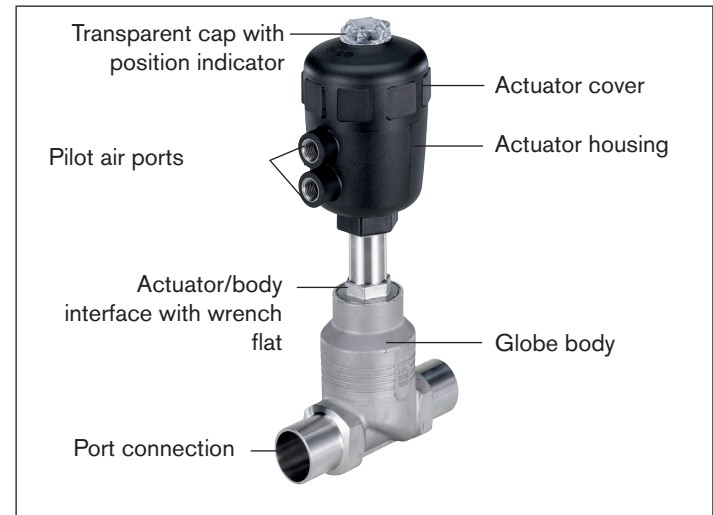


Fig. 1: Type 2012 globe valve, structure and description

## 6.2 Function

Depending on the variant, the valve seat is closed in the direction of or against the medium flow.

Spring force (CFA) or pneumatic pilot pressure (CFB and CFI) generate the closing force on the swivel plate. A spindle connected to the actuator piston transmits the force.

### 6.2.1 Control functions (CF)



#### WARNING!

**For control function I – risk of pilot pressure failure.**

With control function I, the control unit and reset are pneumatic. No defined position is reached during a pressure failure.

- ▶ To ensure a controlled restart of the device, first apply pilot pressure and then activate the medium.

<p><b>A</b> (CFA)</p>		<p>Closed by spring force in rest position</p>
<p><b>B</b> (CFB)</p>		<p>Opened by spring force in rest position</p>
<p><b>I</b> (CFI)</p>		<p>Actuating function via reciprocal pressurisation</p>

### 6.2.2 Flow direction below seat

Depending on the variant, the valve is closed against the medium flow either with spring force (control function A, CFA) or pilot pressure (control function B or I, CFB or CFI).

Because the medium pressure is below the swivel plate, it helps open the valve.



#### WARNING!

**Valve leak if there is too little minimum pilot pressure or high medium pressure.**

Minimum pilot pressure for CFB and CFI that is too low, or failing to meet the permitted medium pressure, can cause a leak in the valve seat.

- ▶ Adhere to minimum pilot pressure.
- ▶ Do not exceed the medium pressure.
- ▶ See chapter „7.4.2 Pressure ranges“.

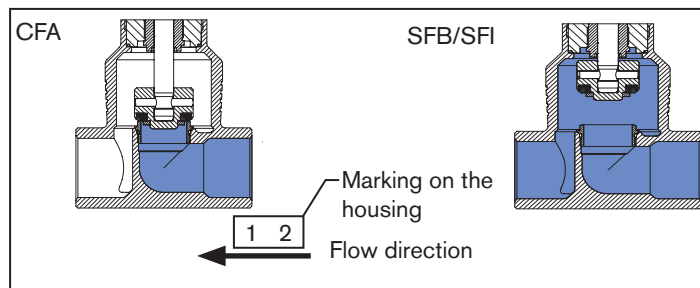


Fig. 2: Flow direction below seat (closing against medium)



### 6.2.3 Flow direction above the seat

The valve is closed with the medium flow via spring force (control function A, CFA). Because the medium pressure is above the swivel plate, it helps the valve close and also contributes to sealing the valve seat.

The valve opens via pilot pressure.



#### WARNING!

##### Risk of injury from pressure surge.

A pressure surge could cause lines and the device to burst. Because of the risk of pressure surge, **valves with the flow direction above the seat must not be used for fluid media.**

- ▶ Observe the type of flow and type of medium for operating the device.



In order to ensure complete opening, the minimum pilot pressure must be applied!

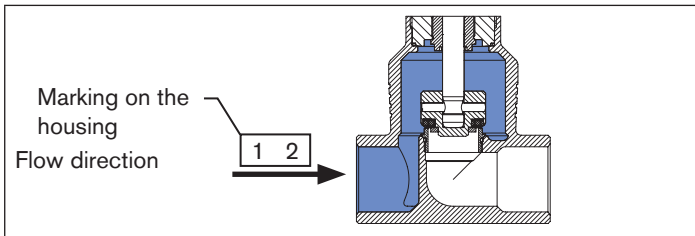


Fig. 3: Flow direction above the seat (closing with the medium)

## 7 TECHNICAL DATA

### 7.1 Standards and directives

The appliance complies with the relevant EU harmonisation regulations. In addition, the device also fulfils the requirements of the laws of the United Kingdom.

On the respective current version of the EU Declaration of Conformity / UK Declaration of Conformity you will find the harmonised standards which were applied in the conformity assessment procedure.

According to Pressure Equipment Directive observe the following operating conditions:

DN	Maximum pressure for compressible fluids of Group 1 (dangerous gases and vapours according to Art. 3, No. 1.3, letter a, first dash)
DN65	15 bar

## 7.2 Type label

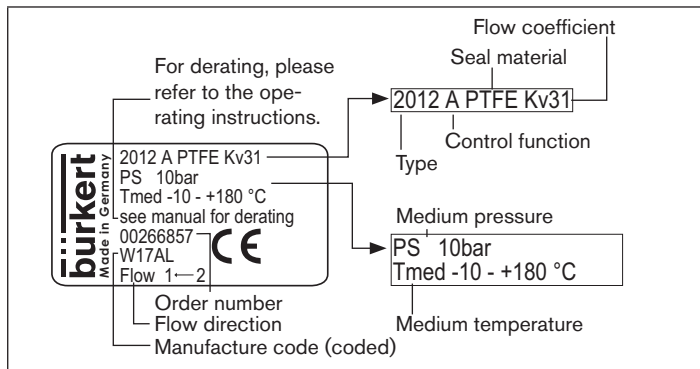


Fig. 4: Type label description (example)

## 7.3 Conversion of actuator sizes

Actuator size [mm]	Designation	Outer diameter A [mm]	Scale drawing
40	C	53	
50	D	64	
63	E	80	
80	F	101	
100	G	127	
125	H	157	

Tab. 1: Conversion of actuator sizes

## 7.4 Operating conditions

### 7.4.1 Temperature ranges

Actuator size [mm]	Actuator material	Temperature range	
		Medium (for PTFE and PEEK seal)	Environment <sup>1)</sup>
40...63	PA	-10 ... see „Fig. 5“	-10 ... see „Fig. 5“
80...125	PA	-10...+180 °C	-10...+60 °C
40...80	PPS	-10...+230 °C	+5...+140 °C
100...125	PPS	-10...+230 °C	+5...+90 °C short-term up to max. +140 °C

Tab. 2: Temperature ranges



<sup>1)</sup> When using a pilot valve the max. ambient temperature is +55 °C.

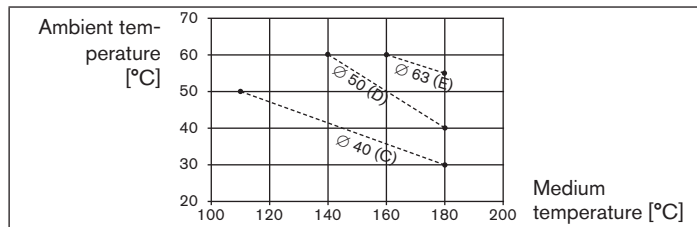


Fig. 5: Temperature range of maximum medium and ambient temperature for PA actuators

## 7.4.2 Pressure ranges

Actuator material	Actuator size [mm]	Max. Pilot pressure [bar]
PA	40...80	10
	100...125	7
PPS	40...80	10
	100...125	7

Tab. 3: Maximum pilot pressure

Medium pressure and pilot pressure for control function A, flow direction below seat (standard):

DN	Maximum medium pressure/minimum pilot pressure					
	Actuator size $\varnothing$ [mm]					
	40	50	63	80	100	125
10/15	15/4.0	16/4.1	25/4.5			
20	6.5/4.0	11/4.1	16/4.5	25/5.0		
25		5.2/4.1	11/4.5	25/5.0		
32			6/4.5	14/5.0	16/4.4	25/3.2
40			4/4.5	9/5.0	12.5/4.4	25/4.1
50			2.5/4.5	6/5.0	7.2/4.4	24/5.7
65						12/5.6

Tab. 4: Medium and pilot pressure CFA, standard

## Derating pressure and temperature ranges

Usage limits of the valve (derating medium pressure)

Temperature	Medium pressure
-10...+50 °C	25 bar
100 °C	24.5 bar
150 °C	22.4 bar
200 °C	20.3 bar
230 °C	19 bar

Tab. 5: Derating the medium pressure as per DIN EN 12516-1/ PN25

Temperature	Medium pressure
-29 – +38 °C	19 bar
50 °C	18.4 bar
100 °C	16.2 bar
150 °C	14.8 bar
200 °C	13.7 bar
230 °C	12.7 bar

Tab. 6: Derating the medium pressure as per ASME B16.5/ ASME B16.34 Cl.150

Temperature	Medium pressure
-10...+50 °C	14 bar
100 °C	14 bar
150 °C	13.4 bar
200 °C	12.4 bar
230 °C	11.7 bar

Tab. 7: Derating the medium pressure as per JIS B 2220 10K

**Usage limits of medium and ambient temperature**

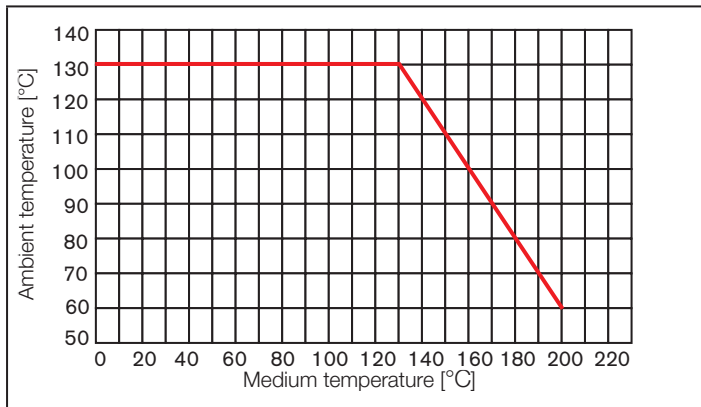


Fig. 6: Derating CLASSIC actuator size 40

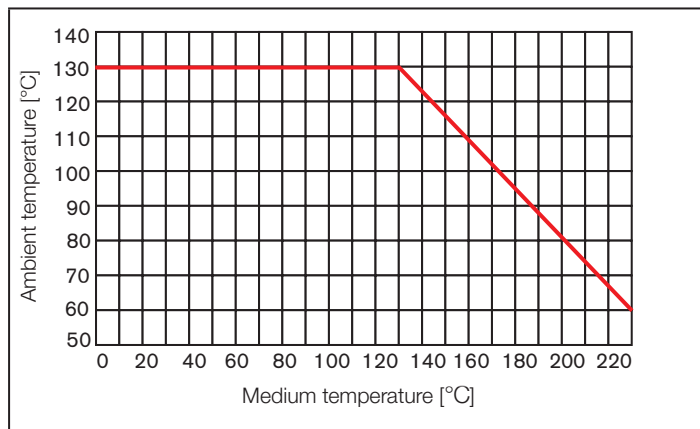


Fig. 7: Derating CLASSIC actuator size 50, 63, 80

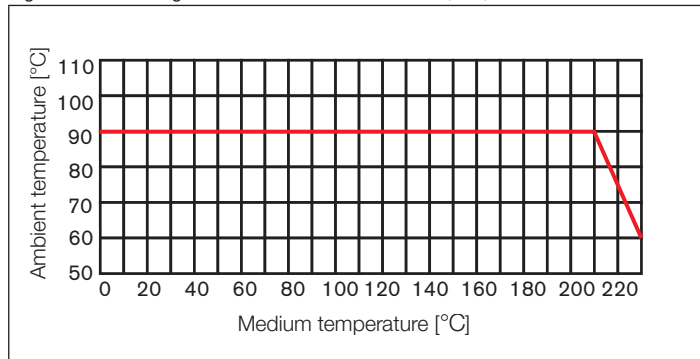


Fig. 8: Derating CLASSIC actuator size 100, 125

**Required minimum pilot pressure depending on the medium pressure**

In the following graphs the required minimum control pressure is shown for control functions A, B and I depending on the medium pressure.

**Control function A, flow direction above the seat**

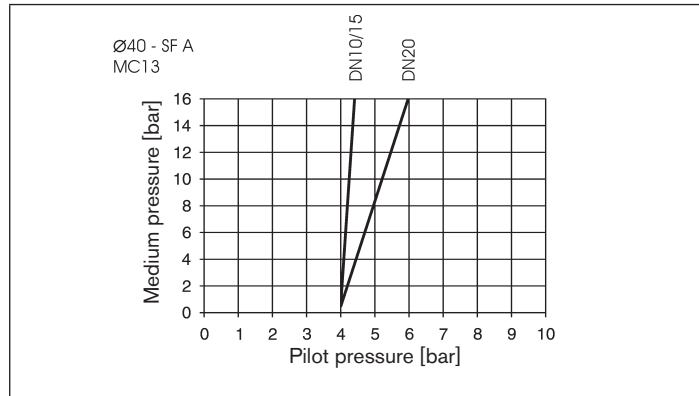


Fig. 9: Pressure diagram, actuator size 40, control function A, flow direction above the seat

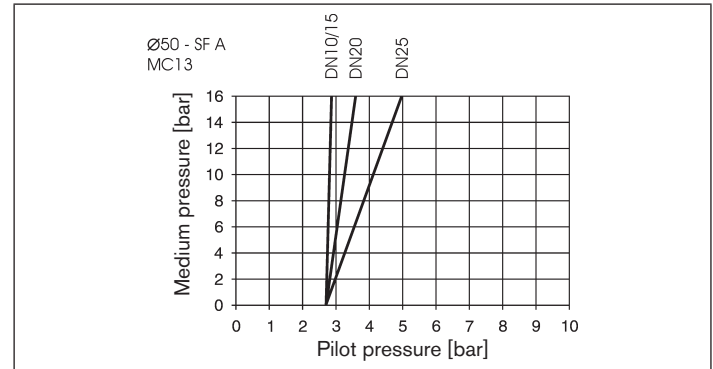


Fig. 10: Pressure diagram, actuator size 50, control function A, flow direction above the seat

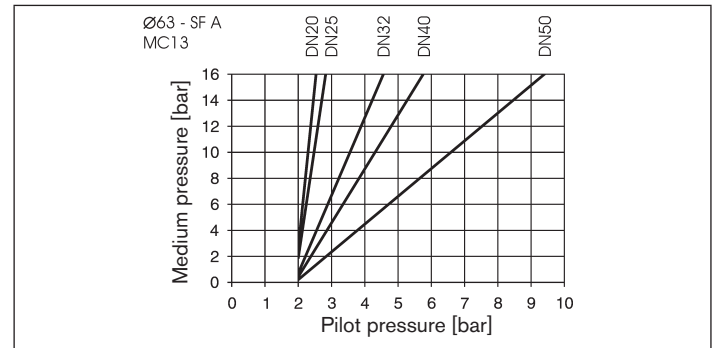


Fig. 11: Pressure diagram, actuator size 63, control function A, flow direction above the seat

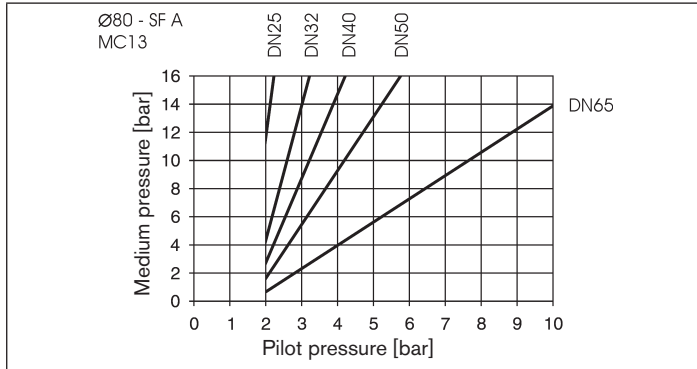


Fig. 12: Pressure diagram, actuator size 80, control function A, flow direction above the seat

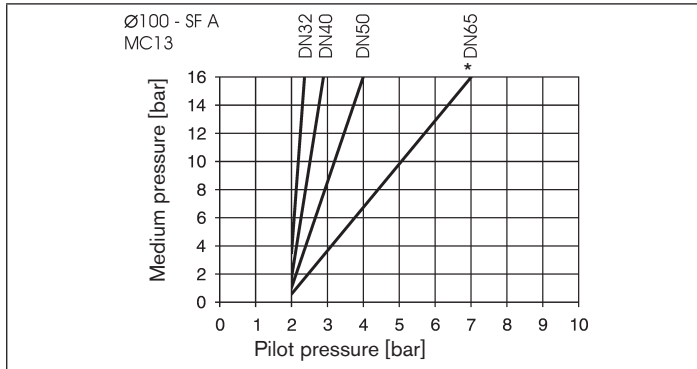


Fig. 13: Pressure diagram, actuator size 100, control function A, flow direction above the seat

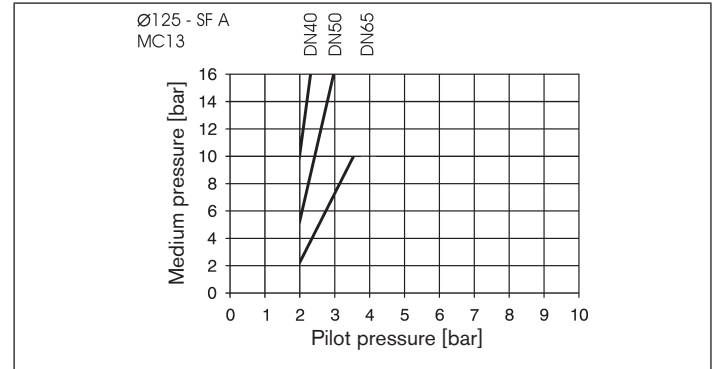


Fig. 14: Pressure diagram, actuator size 125, control function A, flow direction above the seat

\* Medium pressure max. 15 bar according to Pressure Equipment Directive 2014/68/EU for compressible fluids of Group 1 (dangerous gases and vapours according to Art. 4, paragraph (1) c) i) first dash).

**Control function B and I, flow direction below seat**

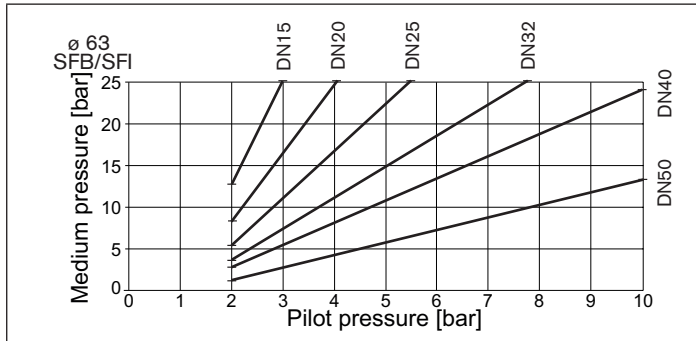


Fig. 15: Pressure diagram, actuator size 63, control function B and I, flow direction below seat

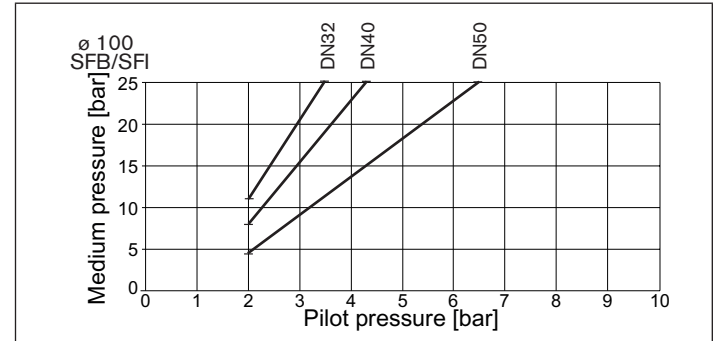


Fig. 17: Pressure diagram, actuator size 100, control function B and I, flow direction below seat

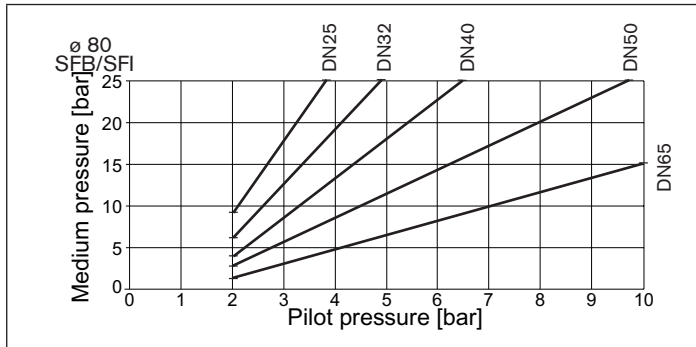


Fig. 16: Pressure diagram, actuator size 80, control function B and I, flow direction below seat

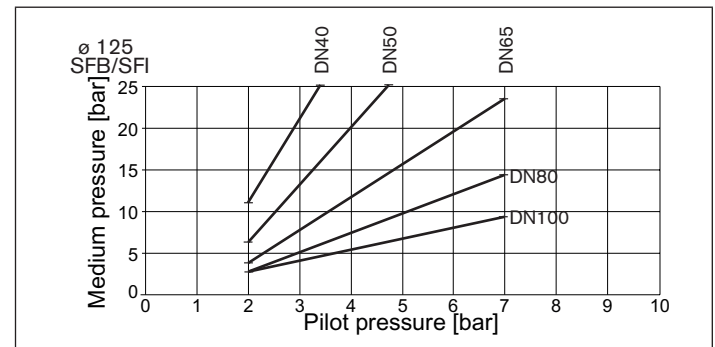


Fig. 18: Pressure diagram, actuator size 125, control function B and I, flow direction below seat

### 7.4.3 Media

Control media	Neutral gases, air
Flow media	Water, alcohols, oils, fuels, saline solutions, lyes, organic solvents, vapour

### 7.5 Control functions

Control function A	Closed by spring force in rest position
Control function B	Opened by spring force in rest position
Control function I	Actuating function via reciprocal pressurisation

### 7.6 Mechanical data

#### Materials

Valve body	Stainless steel 316L
Actuator	PA, PPS
Seal materials	PTFE (NBR, FKM, EPDM and PEEK on request)
Packing gland	PTFE (carbon-filled)

## 8 INSTALLATION

### 8.1 Safety instructions



#### DANGER!

##### Risk of injury from high pressure in the system.

- ▶ Before loosening lines and valves, turn off the pressure and vent the lines.



#### WARNING!

##### Risk of injury due to improper installation.

- ▶ Installation may be carried out by authorised technicians only and with the appropriate tools!

##### Risk of injury due to unintentional activation of the system and uncontrolled restart.

- ▶ Secure the system against unintentional activation.
- ▶ Following installation, ensure a controlled restart.

##### For control function I – risk of pilot pressure failure.

With control function I, the control unit and reset are pneumatic. No defined position is reached during a pressure failure.

- ▶ To ensure a controlled restart of the device, first apply pilot pressure and then activate the medium.

##### Risk of injury due to moving parts in the device.

- ▶ Do not reach into openings.



## 8.2 Before installation

Installation position: any, preferably actuator on top.

- Ensure that pipelines are aligned before connecting the valve.
- Note flow direction.

### 8.2.1 Preparatory work

- Clear impurities from pipelines (sealants, metal chips, etc.).

#### Devices with welded connection

Remove the actuator from the valve body:

- Clamp valve body into a holding device.

#### NOTE!

##### Damage to the seat seal or seat contour!

- ▶ When removing the actuator, the valve must be in the open position.

- For control function A:  
Pressurise pilot air port with compressed air (6 bar): Valve opens.
- Place a suitable open-end wrench on the wrench flat of the nipple.
- Unscrew actuator from the valve body.

## 8.3 Installing valve body



### WARNING!

#### Risk of injury due to improper operation.

Failure to observe the tightening torque value is dangerous due to the risk of damage to the device.

- ▶ Use an open-end wrench for installation, never a pipe wrench.
- ▶ Observe tightening torque (see „[Tab. 8: Tightening torques valve body/nipple](#)“).

#### Dirt trap for devices with approval according to DIN EN 161

According to DIN EN 161 "Automatic shut-off valves for gas burners and gas appliances", a dirt trap, which prevents the penetration of a 1 mm test pin, must be installed upstream of the valve.

- If the approval also applies to the stainless steel valve body, such a dirt trap must be attached in front of the globe valve.

### 8.3.1 Installing the body

#### Welded connection

- Weld or bond valve body in pipeline system.

#### Other bodies

- Connect valve body to pipeline.

### 8.3.2 Install actuator (welded connection)

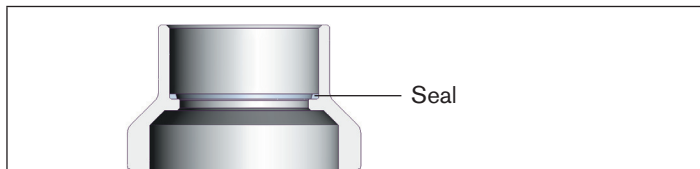


Fig. 19: Seal

→ Replace seal.



#### **WARNING!**

##### **Risk due to incorrect lubricants.**

Unsuitable lubricant may contaminate the medium. There is a risk of explosion in oxygen applications.

- ▶ Only used accordingly approved lubricants for specific applications.

→ Before re-installation, grease nipple thread of the actuator (e.g. using Klüberpaste UH1 96-402 from Klüber).

#### **NOTE!**

##### **Damage to the seat seal or seat contour!**

- ▶ When installing the actuator, the valve must be in the open position.

→ For control function A:

Apply compressed air to the lower pilot air port (6 bar) so that the swivel plate lifts up from the valve seat and is not damaged during the screw-in process.

→ Screw actuator into the valve body.

#### **Tightening torques valve body/nipple**

DN	Tightening torques [Nm]
15	45 ± 3
20	50 ± 3
25	60 ± 3
32	65 ± 3
40	65 ± 3
50	70 ± 3
65	70 ± 3

Tab. 8: Tightening torques valve body/nipple

### 8.3.3 Turning actuator

The position of the ports can be seamlessly aligned by turning the actuator 360°.

#### **NOTE!**

##### **Damage to the seat seal or seat contour.**

- ▶ When turning the actuator, the valve must be in the open position.

→ Clamp valve body in a holding device (only for valves which have not yet been installed).

- For control function A pressurise the pilot air port with compressed air (6 bar): Valve opens.
- Counter with a suitable open-end wrench on the wrench flat of the nipple.
- Place a suitable open-end wrench on the hexagon head of the actuator.



**WARNING!**

**Risk of injury from discharge of pressure and escaping medium.**

The body connection can loosen when rotated incorrectly.

- ▶ Only turn the actuator **in the specified direction** (see „Fig. 20“).

- Move the actuator into the required position by turning it clockwise (seen from above).

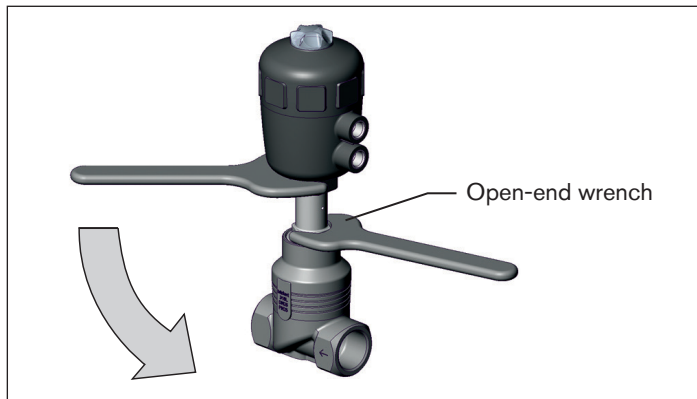


Fig. 20: Rotating with open-end wrench  
MAN 1000010230 ML Version: ADStatus: RL (released | freigegeben) printed: 16.11.2022

## 8.4 Pneumatic connection



**DANGER!**

**Risk of injury from high pressure in the system.**

- ▶ Before loosening lines and valves, turn off the pressure and vent the lines.



**WARNING!**

**Risk of injury due to unsuitable connection hoses.**

Hoses that cannot withstand the pressure and temperature range can cause hazardous situations.

- ▶ Only use hoses that are permitted for the specified pressure and temperature range.
- ▶ Note the data sheet information from the hose manufacturers.

**For control function I – risk of pilot pressure failure.**

With control function I, the control unit and reset are pneumatic. No defined position is reached during a pressure failure.

- ▶ To ensure a controlled restart of the device, first apply pilot pressure and then activate the medium.



If the position of the pilot air ports is unfavourable for installing the hoses, these can be seamlessly aligned by rotating the actuator by 360°.

**Control function A**

- Connect control medium to bottom pilot air port of the actuator.

**Control function B**

→ Connect control medium to top pilot air port of the actuator.

### Control function I

→ Connect control medium to top and bottom pilot air port of the actuator.



For usage in an aggressive environment, we recommend using a pneumatic hose to drain all free pneumatic ports in a neutral atmosphere.

### Pilot air hose

Pilot air hoses of sizes 6/4 mm or 1/4" can be used.

## 8.5 Disassembly



### DANGER!

#### Risk of injury from discharge of pressure and escaping medium.

Dismantling a device which is under pressure is hazardous due to a sudden discharge of pressure or escaping medium.

- ▶ Before disassembly, shut off the pressure and vent all lines.

→ Disconnect the pneumatic connection.

→ Disassemble the device.

## 9 MAINTENANCE, CLEANING

### 9.1 Safety instructions



#### DANGER!

#### Risk of injury from high pressure in the system.

- ▶ Before loosening lines and valves, turn off the pressure and vent the lines.

#### Risk of injury due to electric shock.

- ▶ Before reaching into the system, switch off the power supply and secure against reactivation!
- ▶ Observe the applicable accident prevention and safety regulations for electrical devices!



#### WARNING!

#### Risk of injury due to improper maintenance work.

- ▶ Maintenance may be carried out by authorised technicians only.
- ▶ Use an open-end wrench, never a pipe wrench, to screw the valve body or actuator in or out, and observe the tightening torque.

#### Risk of injury due to unintentional activation of the system and uncontrolled restart.

- ▶ Secure the system against unintentional activation.
- ▶ Following maintenance, ensure a controlled restart.

**WARNING!****For control function I – risk of pilot pressure failure.**

With control function I, the control unit and reset are pneumatic. No defined position is reached during a pressure failure.

- ▶ To ensure a controlled restart of the device, first apply pilot pressure and then activate the medium.

**Risk of injury due to moving parts in the device.**

- ▶ Do not reach into openings.

## 9.2 Maintenance work

**Actuator:**

When used in accordance with these operating instructions, the actuator of the globe valve is maintenance-free.

**Wearing parts of the globe valve:**

Parts which are subject to natural wear are:

- Valve seat,
- Seals.

→ If there is a leak, replace the respective wearing part with a corresponding spare part.

**Visual inspection:**

According to the usage conditions, perform regular visual inspections:

- Check medium ports for tightness.
- Check relief bore on the pipe for leaks.

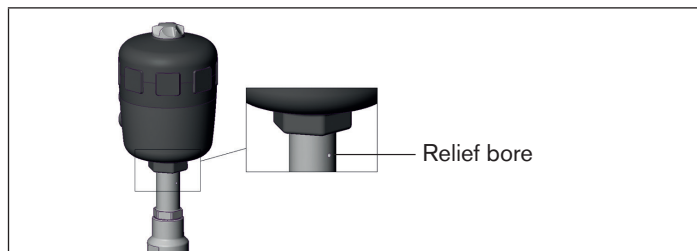


Fig. 21: Relief bore

### 9.2.1 Cleaning

Commercially available cleaning agents can be used to clean the outside.

**NOTE!****Avoid causing damage with cleaning agents.**

- ▶ Before cleaning, check that the cleaning agents are compatible with body materials and seals.

## 9.3 Changing the valve set

**Removing actuator from the valve body**

→ Clamp valve body into a holding device.

**NOTE!****Damage to the seat seal or seat contour.**

- ▶ When removing the actuator, the valve must be in the open position.

- For control function A: Pressurise pilot air port with compressed air (6 bar): Valve opens.
- Place a suitable open-end wrench on the wrench flat of the nipple.
- Unscrew actuator from the valve body.

**Replacing valve seat**

- Unscrew the old valve seat with the assembly tool and a wrench.
- Clean the thread and seal surface in the body with compressed air.
- Select tool insert and screw it into the assembly tool.

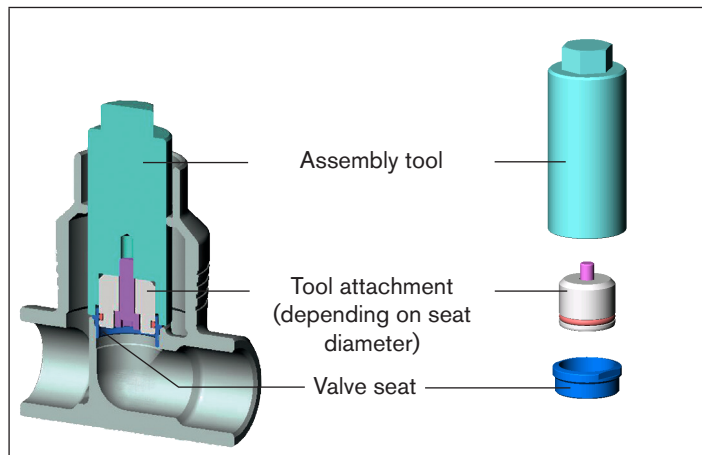


Fig. 22: Replacing the valve seat

- Attach a new valve seat to the seat assembly tool.
- Lubricate the thread (e.g. Klüberpaste UH1 96-402).
- Manually screw the attached valve seat into the body thread.
- Tighten to the specified tightening torque with a torque wrench (see „Tab. 9“).

**Tightening torque values for seat assembly**

Fitting		Tightening torques		Tolerance
Valve seat	Housing	Uncoated valve seats	Coated valve seats	
DN 4–15	DN 15	25	20	+3
DN 20	DN 20	35	28	+3
DN 25	DN 25	50	40	+5
DN 32	DN 32	80	65	+5
DN 40	DN 40	100	85	+8
DN 50	DN 50	120	120	+8
DN 65	DN 65	150	150	+10
DN 80	DN 80	180	180	+10
DN 100	DN 100	220	220	+10

Tab. 9: Tightening torque values for seat assembly

## 10 FAULTS

Fault	Cause	Elimination
Actuator does not switch	Pilot air port interchanged	→ Connect lower (CFA, CFI) or upper (CFB, CFI) pilot air port
	Pilot pressure too low	→ Observe pressure specifications on the type label
	Medium pressure too high	
	Flow direction interchanged	→ Observe direction of arrow on the type label
Valve is not tight	Dirt between seal and valve seat	→ Install dirt trap
	Valve seat seal worn	→ Replace valve seat seal
	Flow direction interchanged	→ Observe direction of arrow on the type label
	Medium pressure too high	→ Observe pressure specifications on the type label
	Pilot pressure too low	
Valve is leaking on the relief bore	Packing gland worn	→ Replace packing gland or actuator

Tab. 10: Faults

## 11 SPARE PARTS



### CAUTION!

#### Risk of injury and/or damage due to incorrect parts!

Incorrect accessories and unsuitable spare parts may cause injuries and damage the device and the area around it.

- ▶ Use only original accessories and original spare parts from Bürkert.

### 11.1 Replacement part set

The following replacement part sets are available for the globe valve Type 2012:

- Seal set,
- Valve set,
- Valve set (valve unit + seat).



The order numbers of the spare parts and the installation instructions are available in the operating instructions for spare parts on our homepage:

[www.country.burkert.com](http://www.country.burkert.com) → Type 2012.

## 11.2 Overview of spare parts

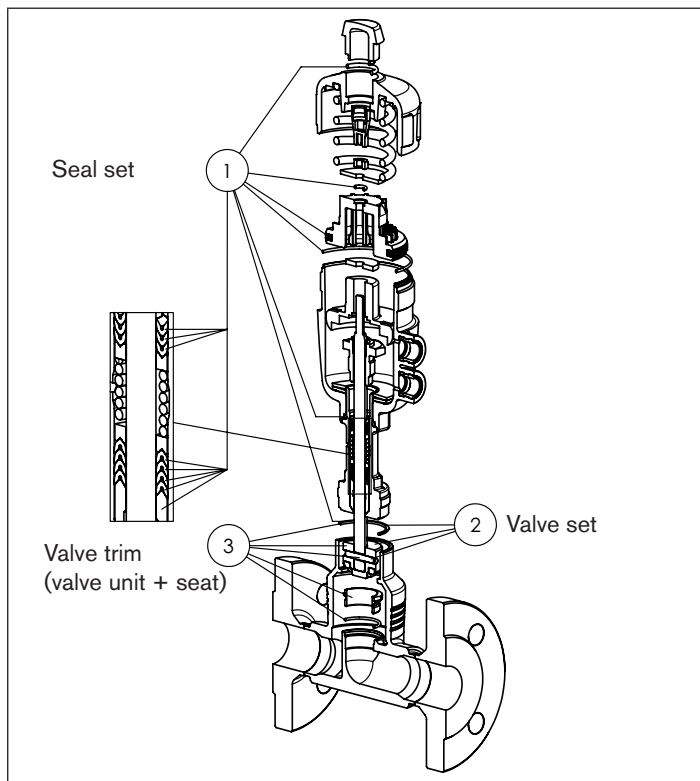


Fig. 23: Overview of spare parts

## 12 TRANSPORTATION, STORAGE, DISPOSAL

### NOTE!

#### Transport damage!

Inadequately protected devices may be damaged during transport.

- Protect the device against moisture and dirt in shock-resistant packaging during transport.
- Avoid exceeding or dropping below the permitted storage temperature.

#### Incorrect storage may damage the device.

- Store the device in a dry and dust-free location!
- Storage temperature  $-20 - +65\text{ }^{\circ}\text{C}$ .

## 13 DISPOSAL

### Environmentally compatible disposal



- ▶ Observe national waste disposal regulations and the environment.
- ▶ Collect electrical and electronic appliances separately and dispose of them specially.

Further information can be found on the Internet at

[country.burkert.com](http://country.burkert.com)





[www.burkert.com](http://www.burkert.com)