



Adapters for hygienic process valves

- Positioner / Process controller TopControl ELEMENT Type 8692, 8693, 8694 BASIC and 8696 BASIC
- Positioner / Process controller SideControl Remote Type 8792, 8793 and 8791 BASIC
- Control heads Type 8681 and ELEMENT Type 8690, 8691 and 8695
- Integrated program for decentralised automation of hygienic process valves and auxiliary processes

Product variants described in the data sheet may differ from the product presentation and description.

Can be combined with

	Type 8681 ▶ Control head for decentralised automation of hygienic process valves
	Type 8691 ▶ Control head for decentralised automation of ELEMENT process valves
	Type 8692 ▶ Digital electro-pneumatic positioner for integrated mounting on process control valves
	Type 8693 ▶ Digital electro-pneumatic process controller for integrated mounting on process control valves
	Type 8694 ▶ Digital electropneumatic positioner for the integrated mounting on process control valves
	Type 8792 ▶ Digital electropneumatic Positioner SideControl

Type description

Optimised for hygienic process technology in the beverage, food and pharmaceutical industry, control heads, positioners and process controllers can be combined with all types of pneumatically actuated process valves. In terms of automation concept and field equipment selection this enables complete uniform solutions, regardless of whether they are hygienic single-seat, double seat and flap valves or armatures for auxiliary mediums such as steam, water and cleaning chemicals. This standardisation reduces stock and simplifies plant operation by reducing the diversity of devices. Through robust adapters, specifically tailored to all commercially available armatures, control heads, positioners and process controllers are integrated in a simple and reliable way.

Table of contents

1. Product versions	3
1.1. Control heads.....	3
Control head Type 8681.....	3
Control head Type 8691 and Type 8695.....	4
Pneumatic control unit/feedback Type 8690 and Type 8697.....	4
1.2. Positioner and process controller.....	5
Positioner TopControl Type 8692.....	5
Process controller TopControl Type 8693.....	6
Positioner TopControl BASIC Type 8694 and Type 8696.....	6
Positioner SideControl Remote Type 8792 with 8798.....	7
Process controller SideControl Remote Type 8793 with 8798.....	8
Positioner SideControl BASIC Remote Type 8791 with 8798 and Type 8791 IP20 with 8798.....	8
2. Materials	9
2.1. Material specifications.....	9
3. Dimensions	9
4. Ordering information	10
4.1. Notes regarding product selection.....	10
4.2. Notes on the selection of adapter kits for control heads and position/process controllers.....	10
Flange interface of control unit/adapter kit for ELEMENT series, Type 869x.....	10
Flange interface of control/adapter kit for control head, Type 8681.....	10
Adapter kits with stroke compensation.....	10
4.3. Ordering chart Bürkert adapter kits.....	11
For Alfa Laval valves.....	11
For GEA Tuchenhagen valves.....	14
For Definox valves.....	18
For Aseptomag valves.....	20
For APV/SPX valves.....	22
For Bardiani valves.....	24
For Tyco Hovap valves.....	26
For Millipore NovAseptic valves.....	27
For Kieselmann valves.....	28
For Nocado valves.....	30
For INOXPA valves.....	31

DTS 1000184481 EN Version: AA Status: RL (released | freigegeben | validé) printed: 17.10.2023

1. Product versions


1.1. Control heads

Thanks to their hygienic design, smart control heads are the ideal decentralised automation process component in a hygienic environment. They take over the complete pneumatic actuation, feedback control and diagnostic functions but also field bus communication. Reliability is guaranteed through resistant materials and field-proven IP protection, which is additionally secured by means of a pressurized housing avoiding intake of condensate and moisture. Key features are the pneumatic valves with integrated restriction function, check valves and manual actuation as well as the automatic Teach function of the contactless and thus wear-free end position sensor.



The coloured status display uses high-power LEDs for easy process monitoring. As communication interfaces, AS-Interface, IO-Link and bÜS (Bürkert system bus) are available.

For further information on the control head programme, visit us online at: www.burkert.com.



Control head Type 8681

Control head	Description
 <p data-bbox="252 1048 379 1077">Type 8681 ▶</p>	<p data-bbox="491 725 1479 927">The Type 8681 control head is optimised for decentralised automation of hygienic process valves. Thanks to its universal adaptation, it can be combined with all normal commercial butterfly valves, ball valves, single and double seated valves. With a decentralised automation concept, the control head takes over all pneumatic actuation, feedback and diagnostic functions including fieldbus communication. The housing is easy to clean and features field-proven IP protection as well chemically resistant materials for use in hygienic processing in food, beverage and pharmaceutical industries. Depending on the process valve type, up to 3 pneumatic actuator chambers can be controlled independently from each other.</p> <p data-bbox="491 954 584 978">Features</p> <ul data-bbox="491 987 1418 1261" style="list-style-type: none"> • Universal actuator adaptation for hygienic process valves • Controls single and double-acting actuators • Automatic setting of end position detection by teach function • Highly dynamic positioning system without internal control air consumption in controlled state • Pilot valve with manual override, throttling function and integrated check valve • Coloured status display • Integrated diagnostic functions for valve monitoring • IO-Link, AS-Interface or bÜS/CANopen <p data-bbox="491 1288 683 1312">Customer benefits</p> <ul data-bbox="491 1321 1426 1505" style="list-style-type: none"> • Flexibility through universal actuator adaptations to all hygienic process valves available on the market • Easy commissioning through automatic Teach function • Guaranteed reliability and predictable maintenance through valve monitoring and diagnosis • Safe process monitoring and easy valve diagnostics through highly visible illuminated status indicator

Control head Type 8691 and Type 8695

Control head	Description
 <p data-bbox="256 622 384 651">Type 8691 ▶</p>	<p data-bbox="491 331 1481 456">The control head Type 8691/8695 is designed for decentralised automation of pneumatic process valves and specifically for the requirements of hygienic process environments. The registration of the valve end position is done through a contact-free analogue position sensor. The sensor automatically recognises and saves the valve end position through the Teach function when starting up. The integrated pilot valve controls single or double-acting actuators.</p> <p data-bbox="491 483 1407 533">The housing is easy to clean and features field-proven IP protection as well chemically resistant materials for use in hygienic processing in food, beverage and pharmaceutical industries.</p> <p data-bbox="491 560 584 584">Features</p> <ul data-bbox="491 591 1123 792" style="list-style-type: none"> • Hygienic stainless steel design according to EHEDG guidelines • Teach function for automatic recognition of valve end positions • Contact- and wear-free inductive position sensor • Status display through high-power coloured LED • Integrated pilot valve with manual override • IO-Link, AS-Interface or bÜS/CANopen <p data-bbox="491 819 683 844">Customer benefits</p> <ul data-bbox="491 851 1433 1016" style="list-style-type: none"> • Easy and safe commissioning through automatic Teach function • Safe process monitoring and easy valve diagnostics through highly visible high-power coloured LEDs • Guaranteed reliability and predictable maintenance through valve monitoring and diagnosis • Minimal space requirement in plant piping for more flexibility in plant design
 <p data-bbox="256 1016 384 1043">Type 8695 ▶</p>	

Pneumatic control unit/feedback Type 8690 and Type 8697

Pneumatic control unit/feedback	Description
 <p data-bbox="256 1462 384 1491">Type 8690 ▶</p>	<p data-bbox="491 1209 1461 1283">The pneumatic control Type 8690/8697 combines electrical position feedback and pneumatic control for single (8697) or double acting actuators and is also optionally available in an intrinsically safe version according to ATEX/IECEX. Mechanical or inductive limit switches detect the valve position.</p> <p data-bbox="491 1310 584 1335">Features</p> <ul data-bbox="491 1341 1145 1507" style="list-style-type: none"> • Optical position indicator • Mechanical or inductive limit switches for end position registering • Integrated pilot valve with manual override • Compact design • Optional intrinsically safe version according to ATEX/IECEX <p data-bbox="491 1534 683 1559">Customer benefits</p> <ul data-bbox="491 1565 1241 1664" style="list-style-type: none"> • Easy commissioning through automatic Teach function • Signal reliability due to automatic adjustment of the limit position switches • Minimal space requirement in plant piping for more flexibility in plant design
 <p data-bbox="256 1854 384 1881">Type 8697 ▶</p>	

DTS 1000184481 EN Version: AA Status: RL (released | freigegeben | validé) printed: 17.10.2023

1.2. Positioner and process controller


Uniquely integrated yet universally combinable, the digital positioners and process controllers of the TopControl ELEMENT series offer an optimal solution for product control with hygienic process valves as well as for the control of auxiliary mediums.

The smart positioners and process controllers in hygienic design are extremely compact, resistant to cleaning and form a robust unit with the control valve actuators. The internal position sensor is contactless and thus wear-free. The built-in particle filter is easily maintained and supports operational safety against dirt particles in the air. Without intrinsic compressed air consumption, the energy consumption is minimised by the pilot valve system.

With identical adapter kits and device operation features, the product range of positioners and process controllers also provides SideControl devices for remote control as an addition to the TopControl ELEMENT series. Bürkert also offers devices according to IEC/NAMUR standard for classical linear and rotary actuators. Communication occurs via PROFIBUS DP-V1, EtherNet/IP, PROFINET, Modbus TCP or büS (Bürkert system bus).


For further information on the positioner and process controller programme, visit us online at: www.burkert.com.

Positioner TopControl Type 8692



Positioner TopControl	Description
 <p data-bbox="256 1122 379 1146">Type 8692 ▶</p>	<p data-bbox="491 779 1479 931">The intelligent positioner Type 8692 is designed for integrated mounting on pneumatic actuators and specifically for the requirements of hygienic process environments. The initialisation of the process controller and positioner are automatically performed when using the TUNE function. The illuminated graphic display enables the easy handling as well as the selection of additional software functions and parameterisation. Device configuration and parameterisation are easily carried out by the Bürkert Communicator software via a PC interface.</p> <p data-bbox="491 958 584 983">Features</p> <ul data-bbox="491 990 1318 1227" style="list-style-type: none"> • Hygienic stainless steel design according to EHEDG guidelines • Contact- and wear-free inductive position sensor • Automatic initialisation of the positioner via TUNE function • Highly dynamic positioning system for single and double-acting actuators • Without internal control air consumption in controlled state • Integrated diagnostic functions for valve monitoring • PROFIBUS DP-V1, EtherNet/IP, PROFINET, Modbus TCP, Bürkert system bus (büS) <p data-bbox="491 1256 683 1281">Customer benefits</p> <ul data-bbox="491 1288 1433 1444" style="list-style-type: none"> • Quick and easy start-up • Intuitive and easy operation via illuminated graphic display and keypad • Guaranteed reliability and predictable maintenance through valve monitoring and diagnosis • Energy saving due to a pneumatic control system without internal air consumption in controlled state

DTS 1000184481 EN Version: AA Status: RL (released | freigegeben | validé) printed: 17.10.2023

Process controller TopControl Type 8693


Process controller TopControl	Description
 <p data-bbox="256 656 384 685">Type 8693 ▶</p>	<p data-bbox="491 331 1481 483">The intelligent process controller Type 8693 is designed for integrated mounting on pneumatic actuators and specifically for the requirements of hygienic process environments. The initialisation of the process controller and positioner are automatically performed when using the TUNE function. The illuminated graphic display enables the easy handling as well as the selection of additional software functions and parameterisation. Device configuration and parameterisation are easily carried out by the Bürkert Communicator software via a PC interface.</p> <p data-bbox="491 533 584 562">Features</p> <ul data-bbox="491 566 1318 804" style="list-style-type: none"> • Hygienic stainless steel design according to EHEDG guidelines • Contact- and wear-free inductive position sensor • Automatic initialisation of the positioner and process controller via TUNE function • Highly dynamic positioning system for single and double-acting actuators • Without internal control air consumption in controlled state • Integrated diagnostic functions for valve monitoring • PROFIBUS DP-V1, EtherNet/IP, PROFINET, Modbus TCP, Bürkert system bus (büS) <p data-bbox="491 831 683 860">Customer benefits</p> <ul data-bbox="491 864 1433 1016" style="list-style-type: none"> • Quick and easy start-up • Intuitive and easy operation via illuminated graphic display and keypad • Guaranteed reliability and predictable maintenance through valve monitoring and diagnosis • Energy saving due to a pneumatic control system without internal air consumption in controlled state

Positioner TopControl BASIC Type 8694 and Type 8696

Positioner TopControl BASIC	Description
 <p data-bbox="256 1422 384 1451">Type 8694 ▶</p>	<p data-bbox="491 1162 1481 1261">The compact positioners Type 8694 and Type 8696 are designed for integrated mounting on pneumatic actuators and specifically for the requirements of hygienic process environments. The operation and parameterisation are done via push buttons and DIP switches. Device configuration and parameterisation are easily carried out by by the Bürkert Communicator software tool via a PC interface.</p> <p data-bbox="491 1288 584 1317">Features</p> <ul data-bbox="491 1321 1225 1485" style="list-style-type: none"> • Hygienic stainless steel design according to EHEDG guidelines • Contact- and wear-free inductive position sensor • Highly dynamic positioning system for single and double-acting actuators • Without internal control air consumption in controlled state • AS-Interface, IO-Link, Bürkert system bus (büS)
 <p data-bbox="256 1798 384 1827">Type 8696 ▶</p>	<p data-bbox="491 1516 683 1545">Customer benefits</p> <ul data-bbox="491 1550 1433 1713" style="list-style-type: none"> • Quick and easy start-up • Minimum space requirement in plant pipework for more flexibility in plant design • Guaranteed reliability and predictable maintenance through valve monitoring and diagnosis • Energy saving due to a pneumatic control system without internal air consumption in controlled state


DTS 1000184481 EN Version: AA Status: RL (released | freigegeben | validé) printed: 17.10.2023

Positioner SideControl Remote Type 8792 with 8798



Positioner SideControl Remote	Description
 <p data-bbox="185 566 512 618">Type 8792 ▶ with remote sensor Type 8798 ▶</p>	<p data-bbox="552 331 1437 432">The intelligent digital positioner Type 8792 is designed for integrated mounting on linear and rotary actuators with standardisation according to IEC 534 -6 or VDI/VDE 3845 for complex control tasks. In addition, the version with remote sensor Type 8798 can be combined with Bürkert process control valves.</p> <p data-bbox="552 459 1453 560">The operation is done on an illuminated graphic display. The initialisation of the process controller and positioner are automatically performed when using the TUNE function. Thereby, the type of control system is automatically detected and determines the appropriate controller structure with the corresponding optimal parameter set.</p> <p data-bbox="552 586 644 611">Features</p> <ul data-bbox="552 618 1477 920" style="list-style-type: none"> • Compact and robust design • Adaptation according to IEC 534 -6 and VDI/VDE 3845 for linear and rotary actuators or as remote version on hygienic process valves • Automatic initialisation of positioner via TUNE function • Universal positioning system for single and double-acting actuators • Highly dynamic positioning system without internal control air consumption in controlled state • Integrated diagnostic functions for valve monitoring • Illuminated graphic display with keypad • PROFIBUS DP-V1, EtherNet/IP, PROFINET, Modbus TCP, Bürkert system bus (büS) <p data-bbox="552 947 743 972">Customer benefits</p> <ul data-bbox="552 978 1453 1137" style="list-style-type: none"> • Quick and easy start-up • Intuitive and easy operation via illuminated graphic display and keypad • Guaranteed reliability and predictable maintenance through valve monitoring and diagnosis • Energy saving due to a pneumatic control system without internal air consumption in controlled state

DTS 1000184481 EN Version: AA Status: RL (released | freigegeben | validé) printed: 17.10.2023

Process controller SideControl Remote Type 8793 with 8798

Process controller SideControl Remote	Description
 <p data-bbox="185 591 512 640">Type 8793 ▶ with remote sensor Type 8798 ▶</p>	<p data-bbox="552 353 1481 456">The intelligent digital process controller Type 8793 are designed to be mounted on linear and rotary actuators with standardisation according to IEC 534 - 6 or VDI/VDE 3845 for complex control tasks. In addition, the version with remote sensor Type 8798 can be combined with Bürkert process control valves.</p> <p data-bbox="552 483 1481 586">The operation is done on an illuminated graphic display. The initialization of the process controller and positioner are automatically performed when using the TUNE function. Thereby, the type of control system is automatically detected and determines the appropriate controller structure with the corresponding optimal parameter set.</p> <p data-bbox="552 613 644 636">Features</p> <ul data-bbox="552 645 1481 945" style="list-style-type: none"> • Compact and robust design • Adaptation according to IEC 534 - 6 and VDI/VDE 3845 for linear and rotary actuators or as remote version on hygienic process valves • Automatic initialisation of positioner via TUNE function • Universal positioning system for single and double-acting actuators • Highly dynamic positioning system without internal control air consumption in controlled state • Integrated diagnostic functions for valve monitoring • Illuminated graphic display with keypad • PROFIBUS DP-V1, EtherNet/IP, PROFINET, Modbus TCP, Bürkert system bus (bÜS) <p data-bbox="552 972 743 994">Customer benefits</p> <ul data-bbox="552 1003 1481 1151" style="list-style-type: none"> • Quick and easy start-up • Intuitive and easy operation via illuminated graphic display and keypad • Guaranteed reliability and predictable maintenance through valve monitoring and diagnosis • Energy saving due to a pneumatic control system without internal air consumption in controlled state

Positioner SideControl BASIC Remote Type 8791 with 8798 and Type 8791 IP20 with 8798

Positioner SideControl BASIC Remote	Description
 <p data-bbox="185 1556 512 1606">Positioner Type 8791 ▶ with remote sensor Type 8798 ▶</p>	<p data-bbox="552 1326 1481 1451">The digital positioner Type 8791 is designed for mounting on linear and rotary actuators with standardisation according to IEC 534 - 6 or VDI/VDE 3845 or as remote version with remote position sensor for simple control tasks. In addition, the version with remote sensor Type 8798 can be combined with Bürkert process control valves. All operating elements are located inside the housing.</p> <p data-bbox="552 1478 644 1500">Features</p> <ul data-bbox="552 1509 1481 1697" style="list-style-type: none"> • Compact and robust design • Adaptation according to IEC 534 - 6 and VDI/VDE 3845 for linear and rotary actuators or as remote version on hygienic process valves • Universal positioning system for single and double-acting actuators • Highly dynamic positioning system without internal control air consumption in controlled state • AS-Interface, IO-Link, Bürkert system bus (bÜS) (not with positioner IP20)
 <p data-bbox="185 1906 512 1955">Positioner IP20 Type 8791 ▶ with remote sensor Type 8798 ▶</p>	<p data-bbox="552 1733 743 1756">Customer benefits</p> <ul data-bbox="552 1765 1481 1890" style="list-style-type: none"> • Quick and easy start-up • Simple device for simple control tasks • Energy-saving due to a pneumatic control system without internal air consumption in controlled state

DTS 1000184481 EN Version: AA Status: RL (released | freigegeben | validé) printed: 17.10.2023

2. Materials

2.1. Material specifications

The adapter kits are made of stainless steel.

3. Dimensions

Note:

Further information about dimensions are given in the chapters listed below.

Bürkert adapter kits suitable for:

Alfa Laval valves	"For Alfa Laval valves" on page 11
GEA Tuchenhagen valves	"For GEA Tuchenhagen valves" on page 14
Definox valves	"For Definox valves" on page 18
Aseptomag linear actuators	"For Aseptomag valves" on page 20
APV/SPX valves	"For APV/SPX valves" on page 22
Bardiani valves	"For Bardiani valves" on page 24
Tyco Hovap valves	"For Tyco Hovap valves" on page 26
Millipore NovAseptic valves	"For Millipore NovAseptic valves" on page 27
Kieselmann valves	"For Kieselmann valves" on page 28
Nocado valves	"For Nocado valves" on page 30
INOXPA valves	"For INOXPA valves" on page 31

4. Ordering information

4.1. Notes regarding product selection

Notes:

- Subject to alteration of technical data and design of third party actuators. A sampling of the respective associated adapter kit is therefore necessary in every case. The information on the combinability of the adapter kit is therefore given with reservation.
- The ordering charts for adapter kits in chapter “4. Ordering information” on page 10 refer to third-party valve actuators and not to the valves themselves.
- Therefore, the actuator is the decisive factor in the selection of suitable adapter.

4.2. Notes on the selection of adapter kits for control heads and position/process controllers

Flange interface of control unit/adapter kit for ELEMENT series, Type 869x

For control units of Type 869x, there are two different variants of flange interfaces which can be distinguished from each other by internal or external air supply to the actuator.

Flange interface with internal air flow

- Enables direct internal control air supply to the actuator without external tubing.
- Adaptations for flange interface with internal air supply are primarily designed for single-acting actuators.
- Adaptations that can be used for both single-acting and double-acting actuators are marked accordingly in the ordering charts.

Flange interface with external air flow

- The control air is routed via the external tubing between the control unit and the actuator.
- Some article no. for control units with external air supply are only available on request in the data sheets of control units (Type 869x).

Flange interface of control/adapter kit for control head, Type 8681

With Type 8681 control head, air supply to the actuator is always connected externally. Direct internal air routing is not possible.

Flange interface combination – adaptation

The ordering charts for adapter kits show which flange interface of the control unit can be combined with which adaptation.

Adapter kits with stroke compensation

For certain actuators, adapter kits with stroke compensation are offered. These are marked accordingly in the ordering charts.

Adapter kits with mechanical stroke compensation facilitate the detection of valve end positions for actuators exceeding the stroke detection range of the control unit.

Contact and support

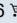


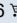





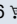


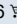


If you have any questions about the above, please contact your local Bürkert sales office.

4.3. Ordering chart Bürkert adapter kits

For Alfa Laval valves

Note:

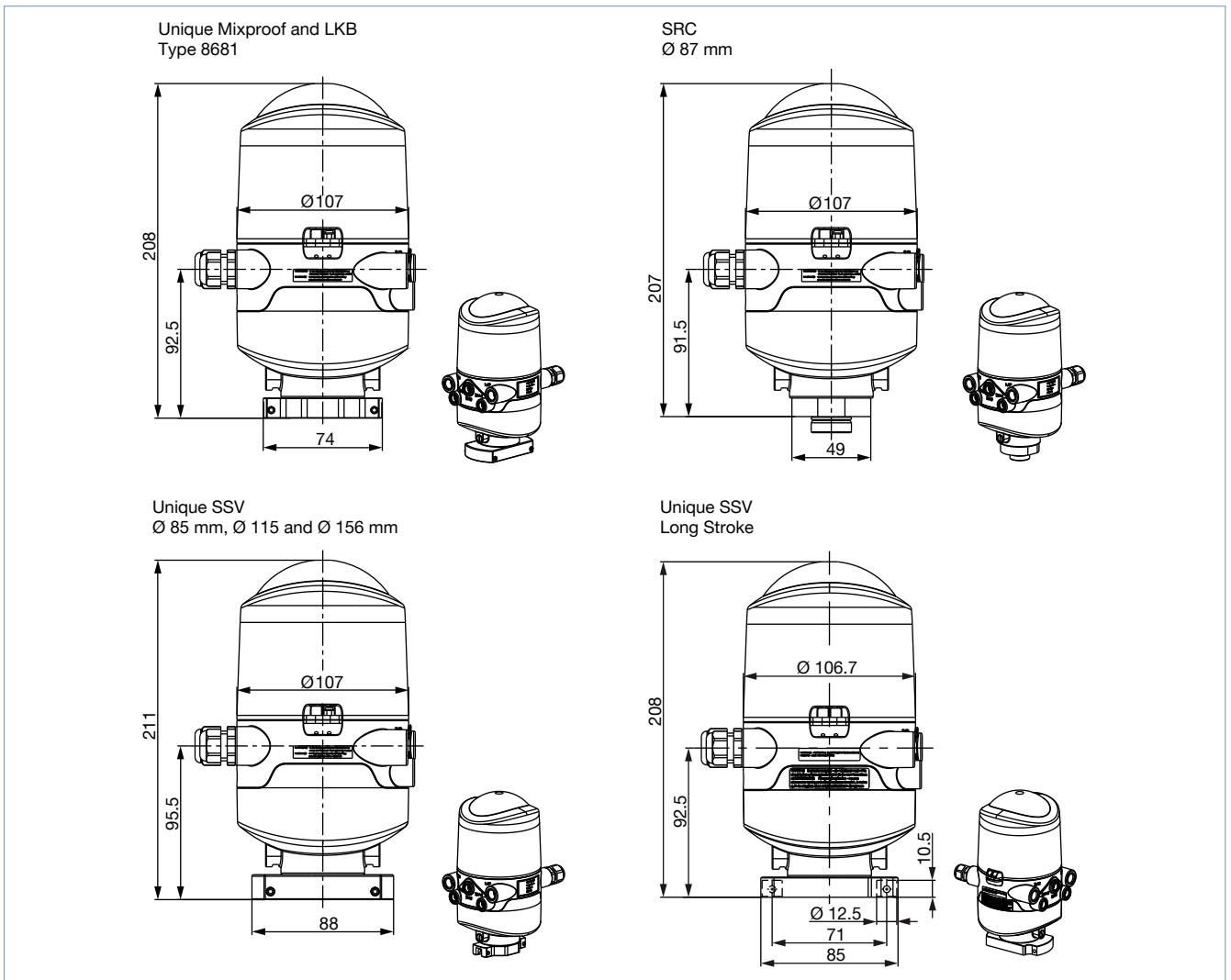
- Further information can be found in chapter “4.1. Notes regarding product selection” on page 10.
- Further versions on request

Actuator type	Designation actuator/valve Alfa Laval	Article no. adapter kit for Bürkert control heads						
		Type 8681	Type 8691		Type 8695 / 8696		Type 8692 / 8693 / 8694 Type 8791 / 8792 / 8793 with 8798 Remote	
Control air supply		External	Internal	External	Internal	External	Internal	External
Linear actuator (for seat valves)	Unique Mixproof	251806 	–	230991 	–	–	–	230991 
	Unique SSV Ø 85 mm Ø 115 mm Ø 156 mm	251806 	–	230988 	–	–	–	230988 
	SRC Ø 87 mm	251806 	–	–	–	–	–	–
	Unique 7000	251806 	–	–	–	–	–	–
	Unique SSV Long Stroke	20004142 	–	–	–	–	–	–
Rotary actuator (for butterfly/ball valves)	LKLA-T Ø 85 mm for LKB	251806 	–	230991 	–	–	–	230991 
	LKLA-T Ø 133 mm for LKB	251806 	–	230993 	–	–	–	230993 

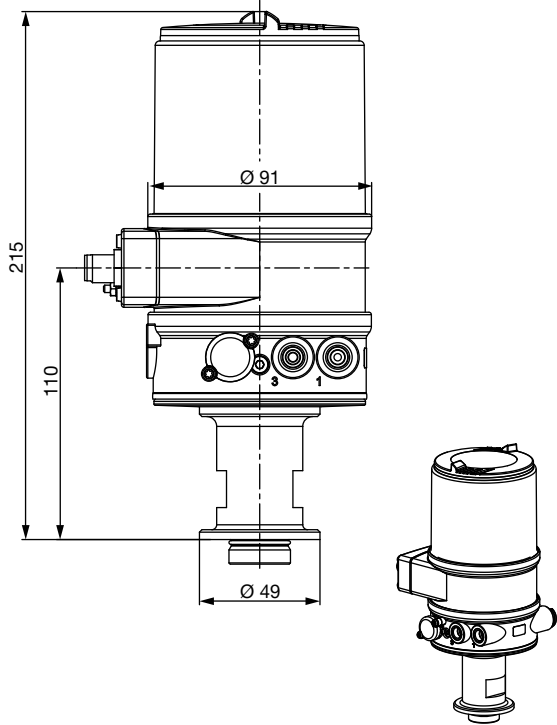
1.) Adaptation with stroke compensation

Note:

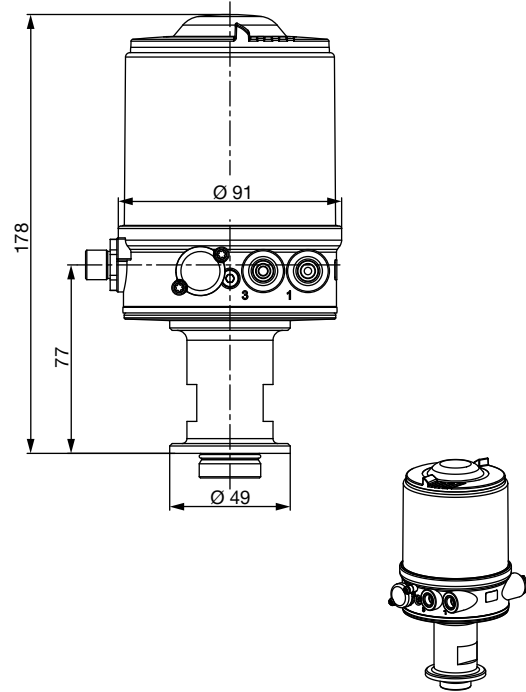
Dimensions in mm



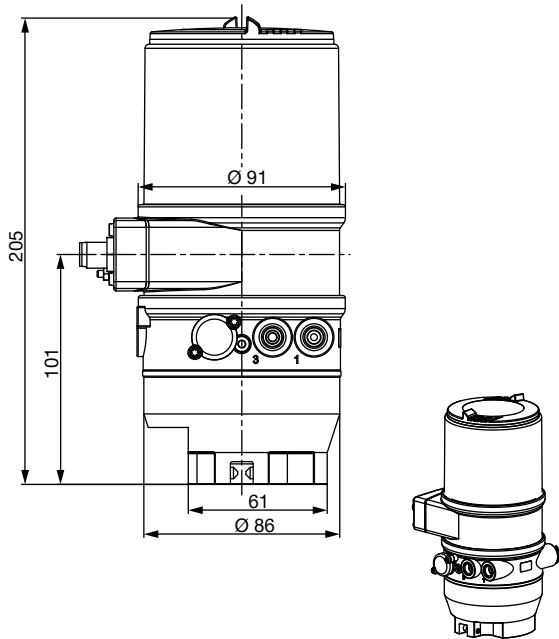
Unique SSV
Type 8692 and Type 8693



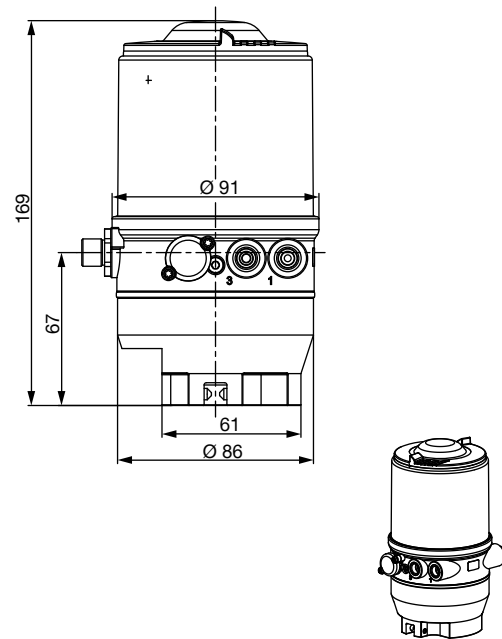
Type 8691, Type 8694 and Type 8798 Remote



Unique and LKLA-T
Type 8692 and Type 8693



Type 8691, Type 8694 and Type 8798 Remote



DTS 1000184481 EN Version: AA Status: RL (released | freigegeben | valide) printed: 17.10.2023

For GEA Tuchenhagen valves

Note:

- Further information can be found in chapter “4.1. Notes regarding product selection” on page 10.
- The adapter kits can only be used in combination with GEA Tuchenhagen valves with circuit function A, circuit function B after prior testing or on request.
- Further versions on request

Actuator type	Designation actuator/valve GEA Tuchenhagen	Article no. adapter kit for Bürkert control heads						
		Type 8681	Type 8691		Type 8695 / 8696		Type 8692 / 8693 / 8694 Type 8791 / 8792 / 8793 with 8798 Remote	
Control air supply		External	Internal	External	Internal	External	Internal	External
Linear actuator (for seat valves)	ECOVENT	230973	-	230964	-	-	-	230964
	VARIVENT AA - EH5 Z ZBB - ZEH Mixproof	230973	363157	-	-	-	363157	-
	VARIVENT DF6 - SN6 ZEK6Z - SN6Z	230973	-	-	-	-	-	-
Rotary actuator (for butterfly/ball valves)	T-Smart 7 T-Smart 9	279454	285389 1.)	-	-	-	285389 1.)	-
	T-Smart 8000	230967 2.)	239178 1.)	-	-	-	239178 1.)	-

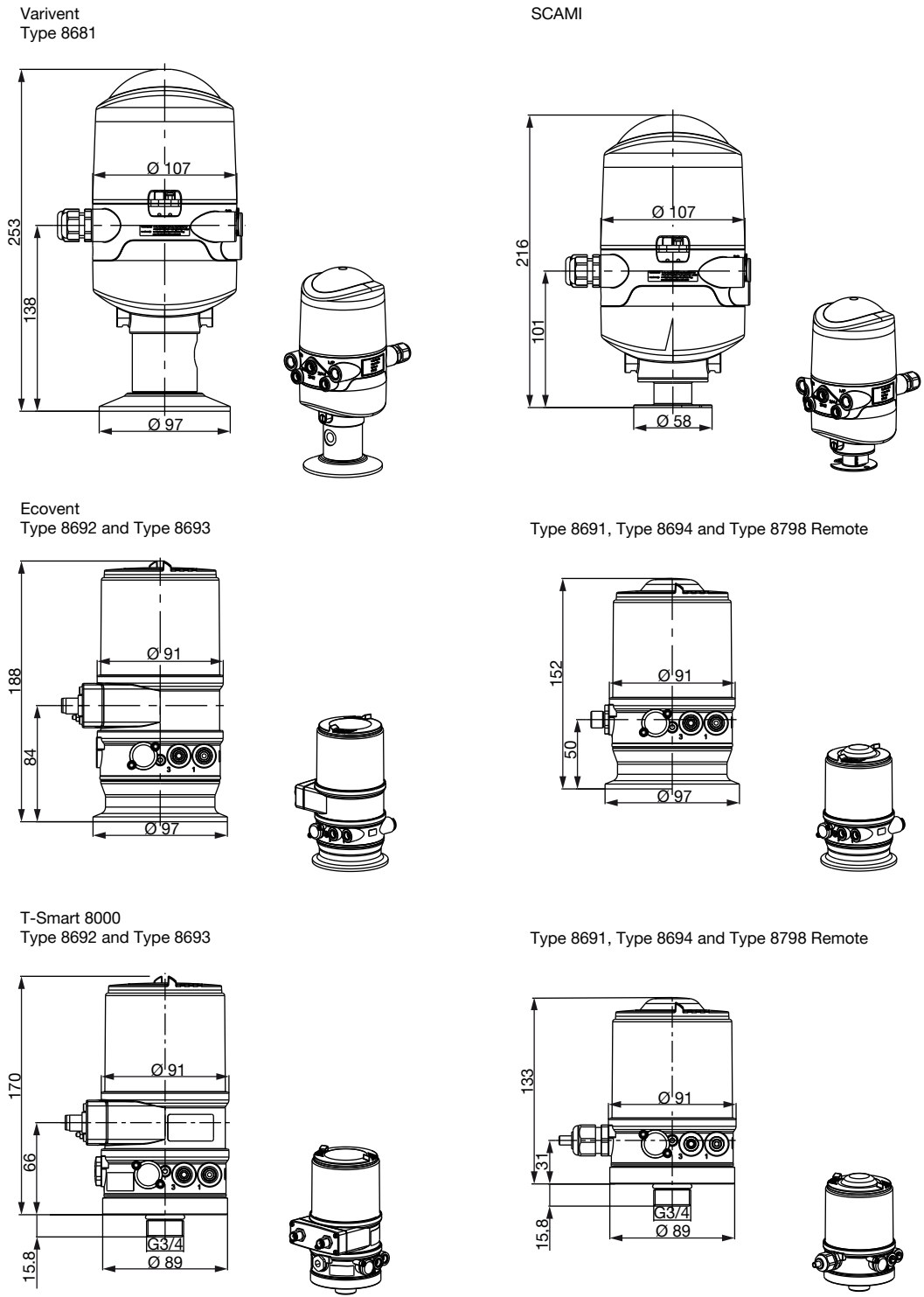
1.) Adaptation with stroke compensation

2.) Phase-out drive model replaced by T-Smart 7

DTS 1000184481 EN Version: AA Status: RL (released | freigegeben | valide) printed: 17.10.2023

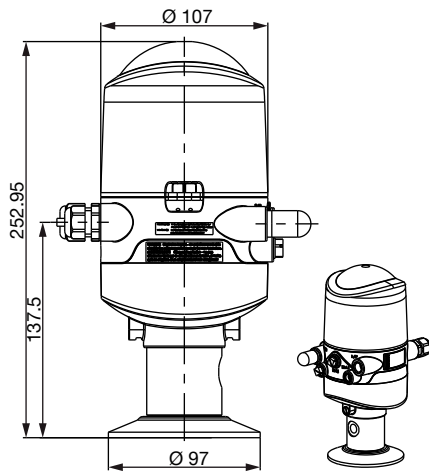
Note:

Dimensions in mm

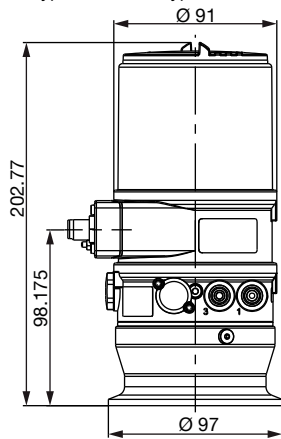


DTS 1000184481 EN Version: AA Status: RL (released | freigegeben | validé) printed: 17.10.2023

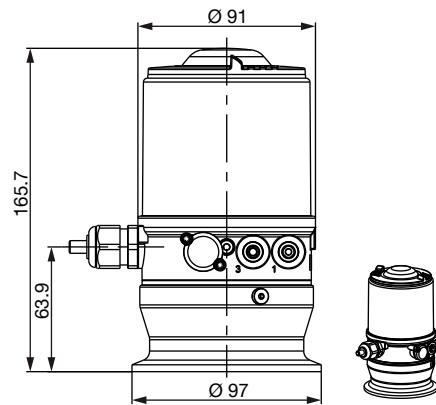
T-Smart 7/T-Smart 9
Type 8681



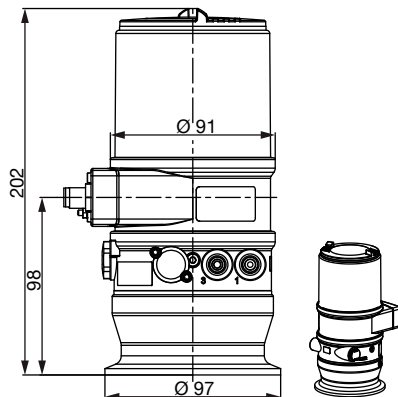
T-Smart 7/T-Smart 9
Type 8692 and Type 8693



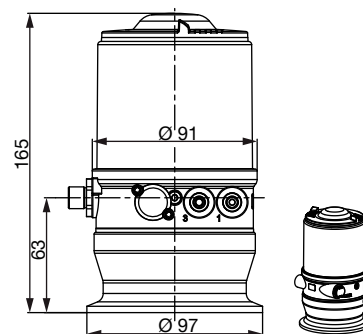
Type 8691, Type 8694 and Type 8798 Remote



Varivent
Type 8692 and Type 8693

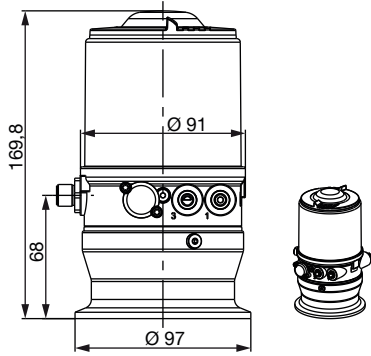


Type 8691, 8694 and Type 8798 Remote

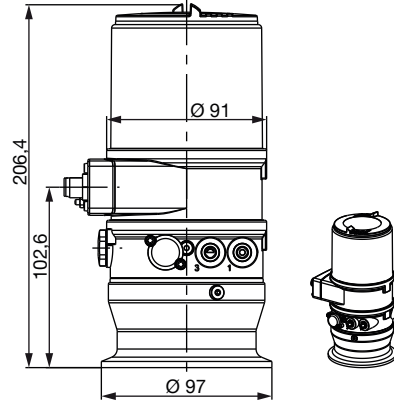


DTS 1000184481 EN Version: AA Status: RL (released | freigegeben | valide) printed: 17.10.2023

Varivent AA - EH5 / Z ZBB - ZEH Mixproof
Type 8691 and Type 8798 Remote



Type 8692 and Type 8693



For Definox valves

Note:

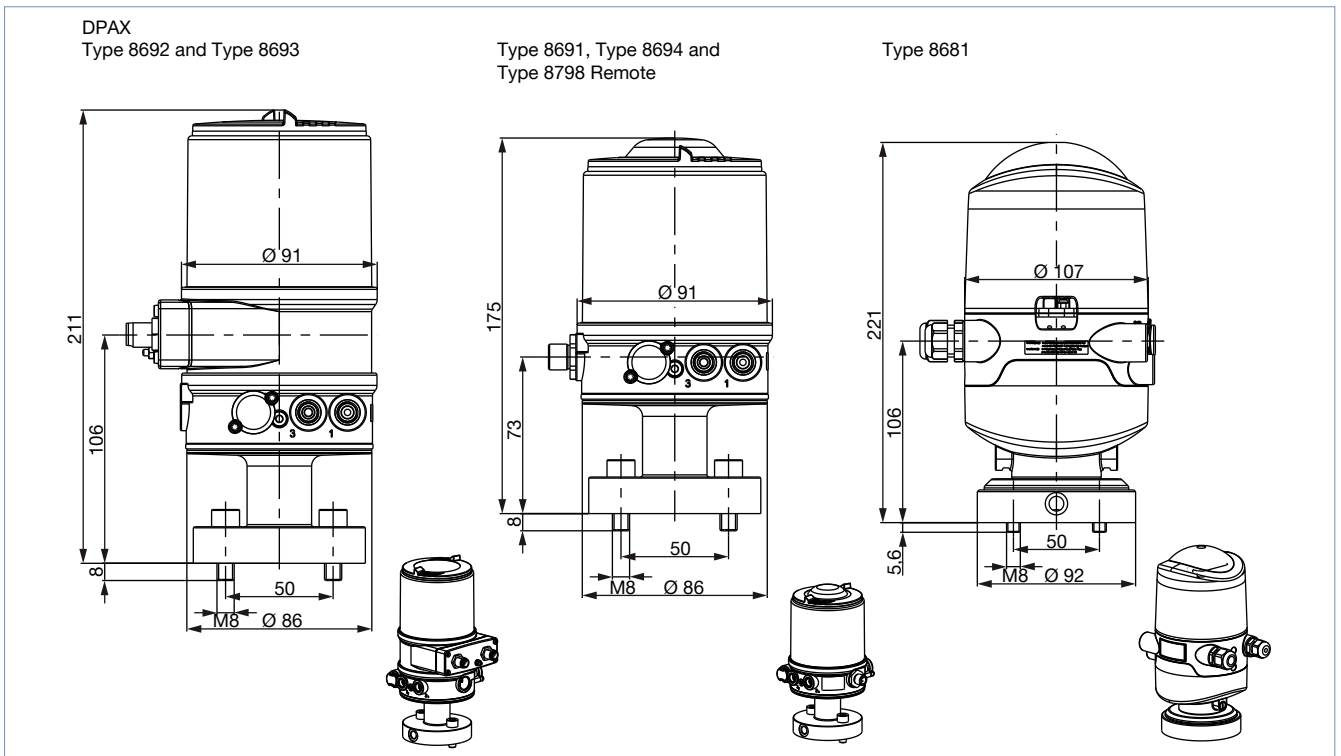
- Further information can be found in chapter “4.1. Notes regarding product selection” on page 10.
- Further versions on request

Actuator type	Designation actuator/valve Definox	Article no. adapter kit for Bürkert control heads						
		Type 8681	Type 8691		Type 8695 / 8696		Type 8692 / 8693 / 8694	Type 8791 / 8792 / 8793 with 8798 Remote
Control air supply		External	Internal	External	Internal	External	Internal	External
Linear actuator (for seat valves)	VDCI MC PFA DN 38-51	-	-	230968 ^{1.)}	-	-	-	230968 ^{1.)}
	VDCI MC PFA DN 38-51/63-80/104-150 VEOX DN 63-80/104-150	378996 ^{1.)}	-	-	-	-	-	-
	DCX3 DN 25-38/63-76/65-80/100/104 DCX4 DN 25-38/63-76/65-80/100/104	379015 ^{1.)}	-	230968 ^{1.)}	-	-	-	230968 ^{1.)}
Rotary actuator (for butterfly/ball valves)	DPAX DN 25/80/104/125/150	378996 ^{1.)}	-	682583 ^{1.)}	-	-	-	682583 ^{1.)}
	DBAX DN 25-80	-	-	682583 ^{1.)}	-	-	-	682583 ^{1.)}
	DBAX DN 25/50/80/104/150	378996 ^{1.)}	-	-	-	-	-	-

1.) Adaptation with stroke compensation

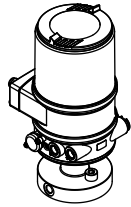
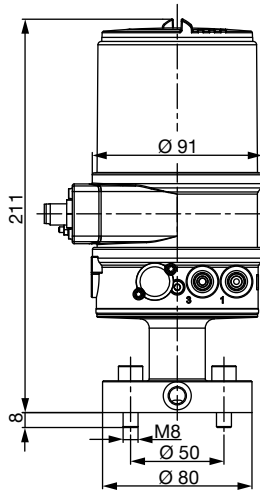
Note:

Dimensions in mm

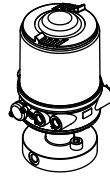
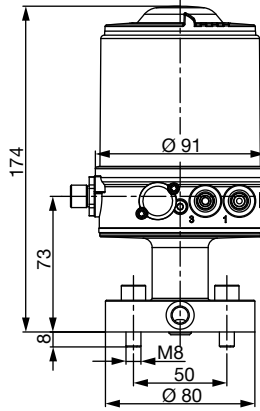


DTS 1000184481 EN Version: AA Status: RL (released | freigegeben | valide) printed: 17.10.2023

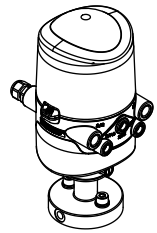
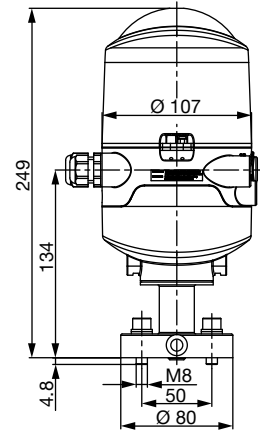
DCX3 and DCX4
Type 8692 and Type 8693



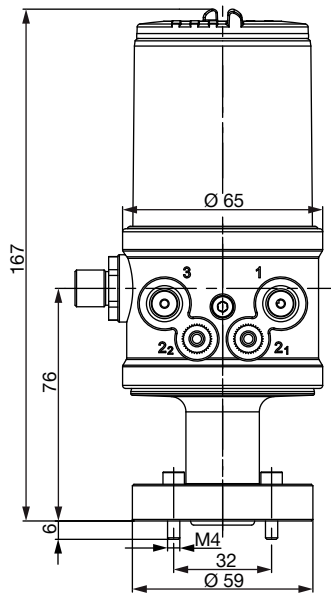
Type 8691, Type 8694 and Type 8798



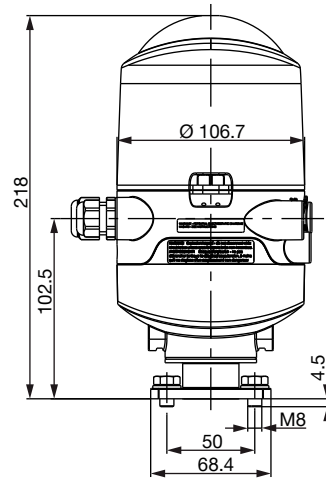
Type 8681



DMAX
Type 8695 and Type 8696



VDCI MC PFA
DCX3/DCX4" Type 8681



For Aseptomag valves

Note:

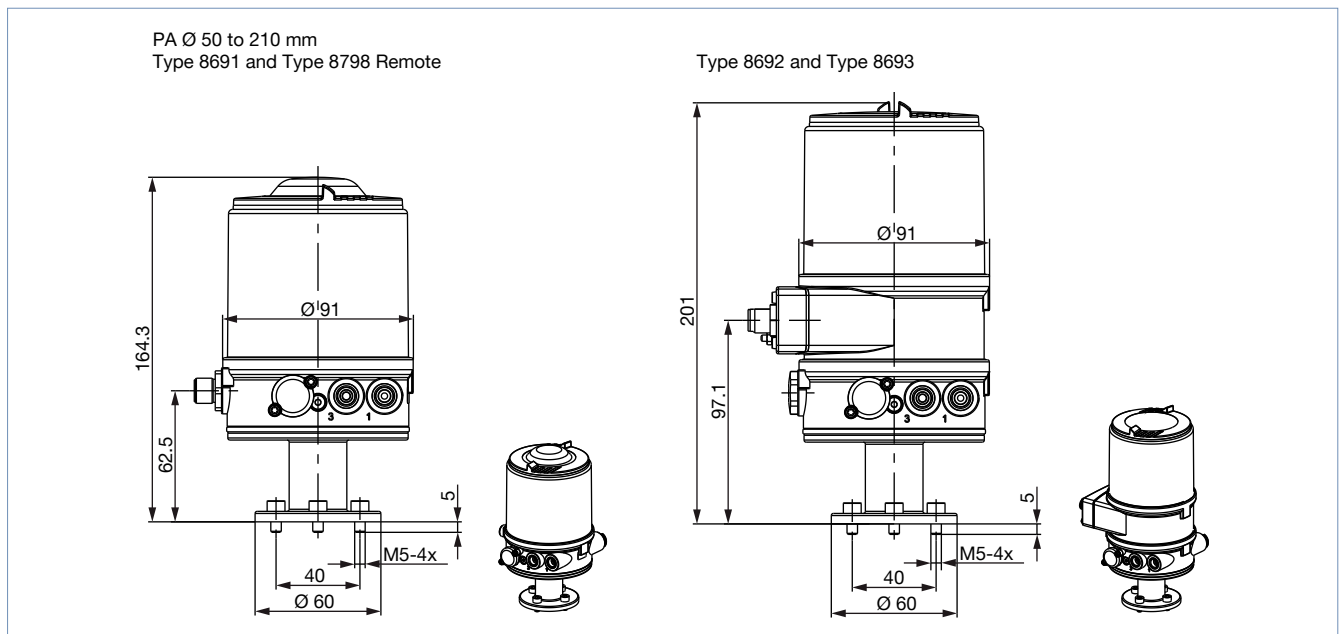
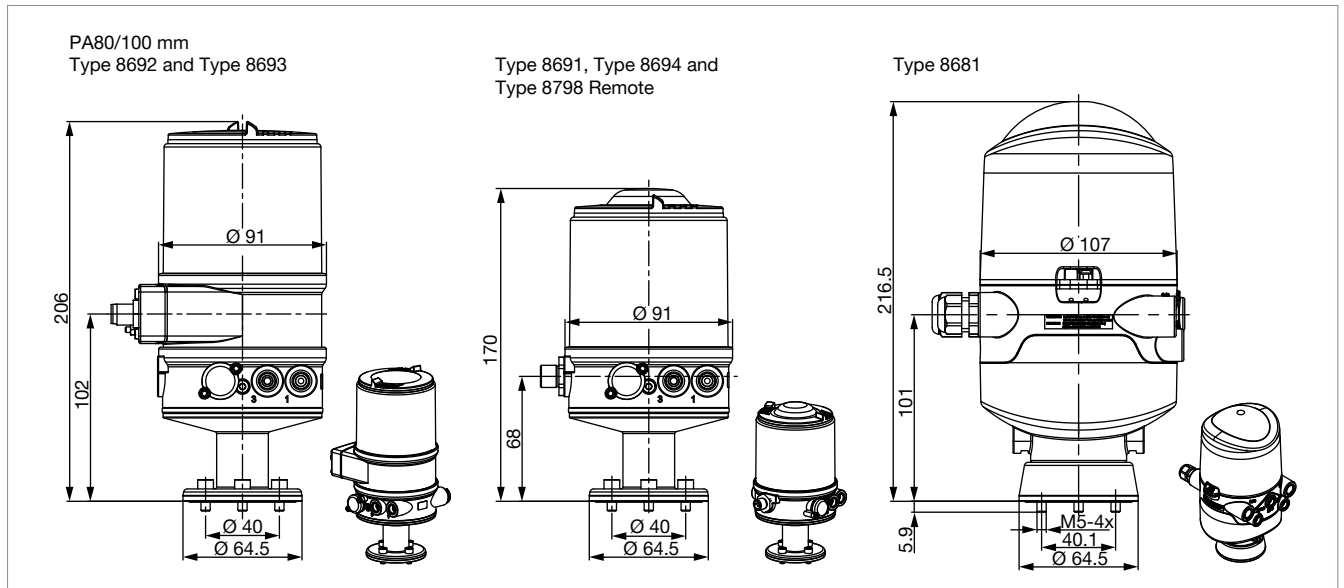
- Further information can be found in chapter “4.1. Notes regarding product selection” on page 10.
- Further versions on request

Actuator type	Designation actuator/valve Aseptomag	Article no. adapter kit for Bürkert control heads						
		Type 8681	Type 8691		Type 8695 / 8696		Type 8692 / 8693 / 8694 Type 8791 / 8792 / 8793 with 8798 Remote	
Control air supply		External	Internal	External	Internal	External	Internal	External
Linear actuator (for seat valves)	PA Ø 50/60 mm	-	-	20001990 ☞	673735 ☞	-	-	20001990 ☞
	PA Ø 80/100/135 mm ^{1.)}	230985 ☞	-	-	-	-	-	-
	PA Ø 50...210 mm	-	-	-	-	-	-	-

1.) For OKF, LV, double-seat valves, single-seat valves AV and UV

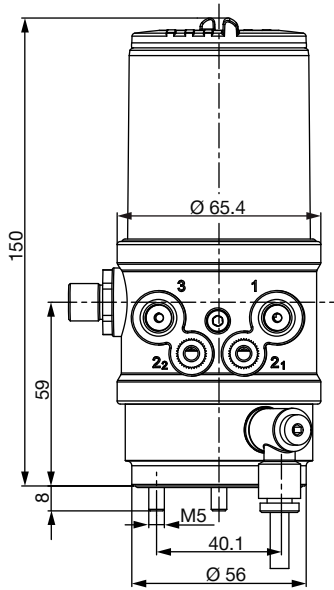
Note:

Dimensions in mm

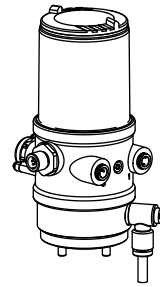
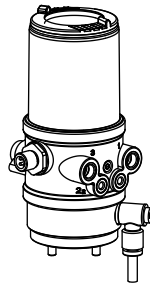
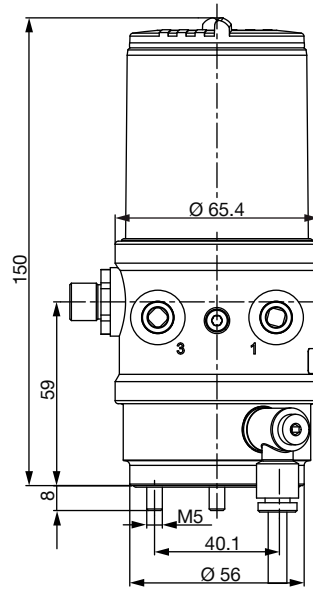


DTS 1000184481 EN Version: AA Status: RL (released | freigegeben | valide) printed: 17.10.2023

PA 50/60 mm
Type 8695



Type 8696



For APV/SPX valves

Note:

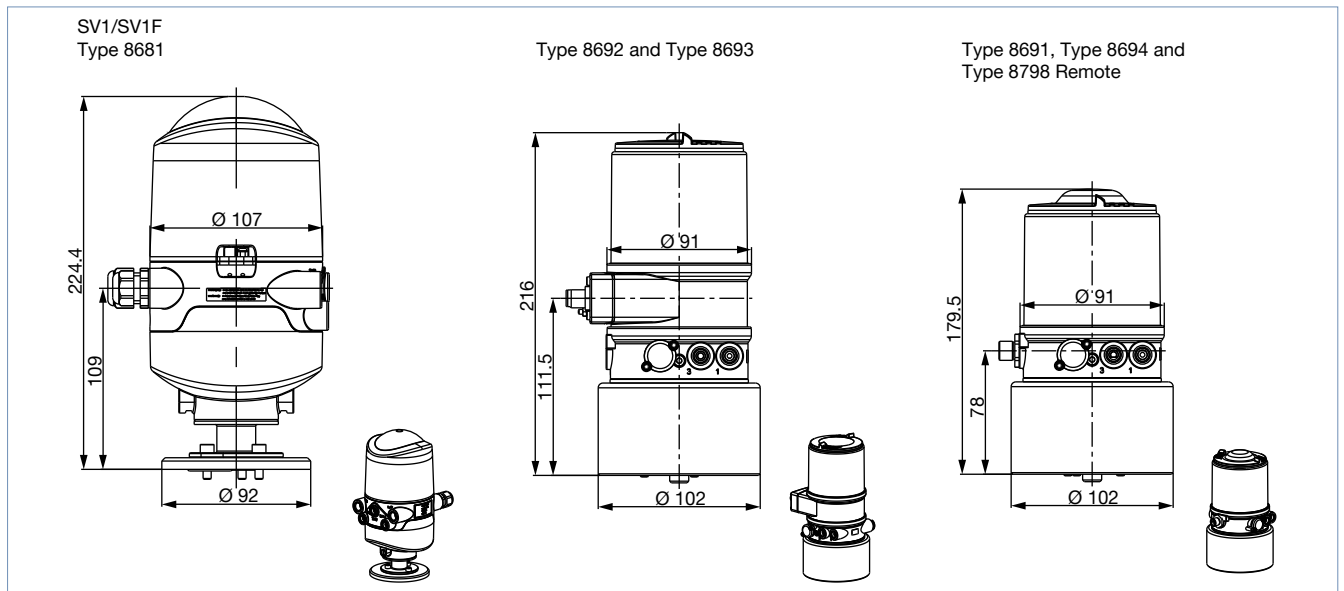
Further information can be found in chapter “4.1. Notes regarding product selection” on page 10.

Actuator type	Designation actuator/valve APV/SPX	Article no. adapter kit for Bürkert control heads						
		Type 8681	Type 8691		Type 8695 / 8696		Type 8692 / 8693 / 8694 Type 8791 / 8792 / 8793 with 8798 Remote	
Control air supply		External	Internal	External	Internal	External	Internal	External
Linear actuator (for seat valves)	SW4	230966	–	230972	–	–	–	230972
Rotary actuator (for butterfly/ball valves)	SV1/SV1F Ø 85 mm	230992	230981 1.)	–	–	–	230981 1.)	–

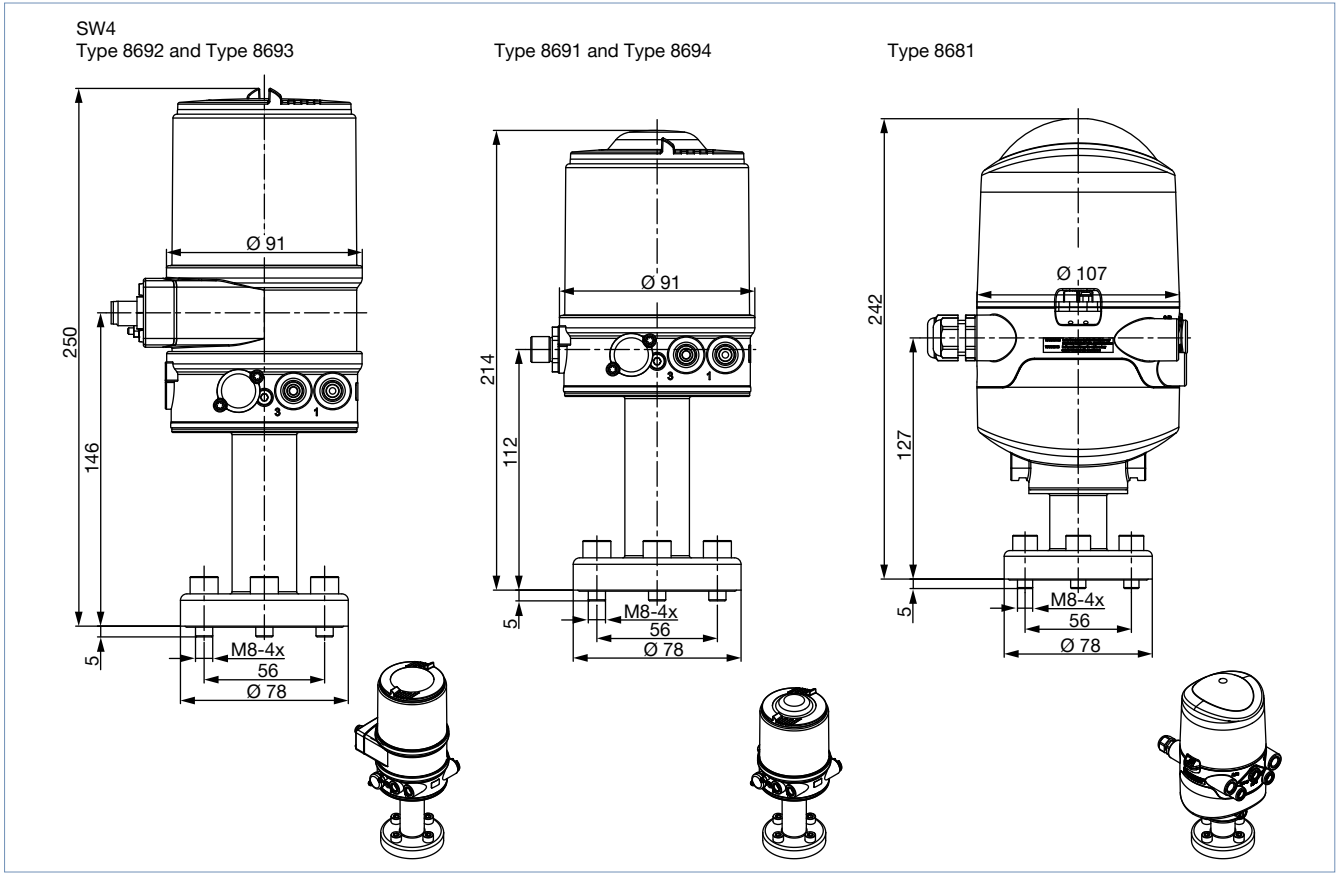
1.) Adaptation with stroke compensation

Note:

Dimensions in mm



DTS 1000184481 EN Version: AA Status: RL (released | freigegeben | validé) printed: 17.10.2023



DTS 1000184481 EN Version: AA Status: RL (released | freigegeben | validé) printed: 17.10.2023

For Bardiani valves

Note:

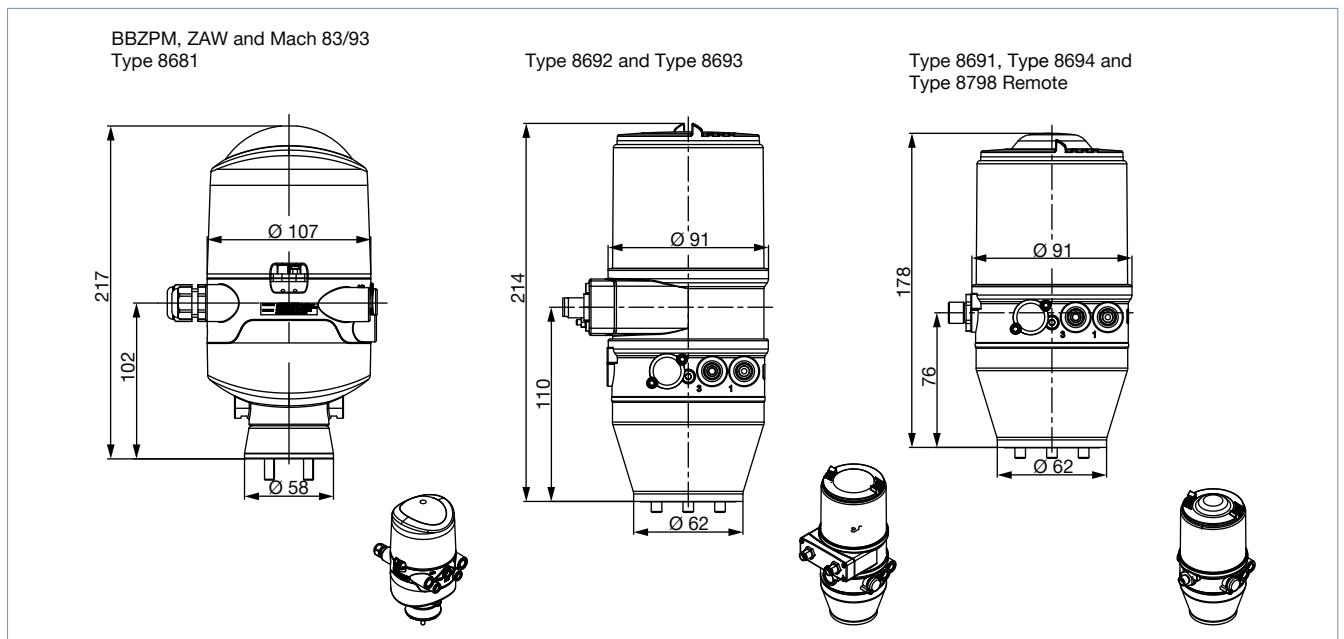
- Further information can be found in chapter “4.1. Notes regarding product selection” on page 10.
- Further versions on request

Actuator type	Designation actuator/valve Bardiani	Article no. adapter kit for Bürkert control heads						
		Type 8681	Type 8691		Type 8695 / 8696		Type 8692 / 8693 / 8694	
Control air supply		External	Internal	External	Internal	External	Internal	External
Linear actuator (for seat valves)	BBZPM	683478 ☒	-	682640 ☒	-	-	-	682640 ☒
	MACH83 MACH98	-	-	682639 ☒	-	-	-	682639 ☒
	ZAW ¹⁾ DN 40...DN 65	-	-	230980 ☒	-	-	-	230980 ☒
	ZAW ¹⁾ DN 80...DN 100	-	-	682640 ☒	-	-	-	682640 ☒
	ZD90 ¹⁾	246082 ☒	-	245909 ☒	-	-	-	245909 ☒
	BZAW DN 40...DN 100	683478 ☒	-	682640 ☒	-	-	-	682640 ☒
	B925 DN 10...DN 50 B935 DN 10...DN 50	683478 ☒	-	230980 ☒	-	-	-	230980 ☒

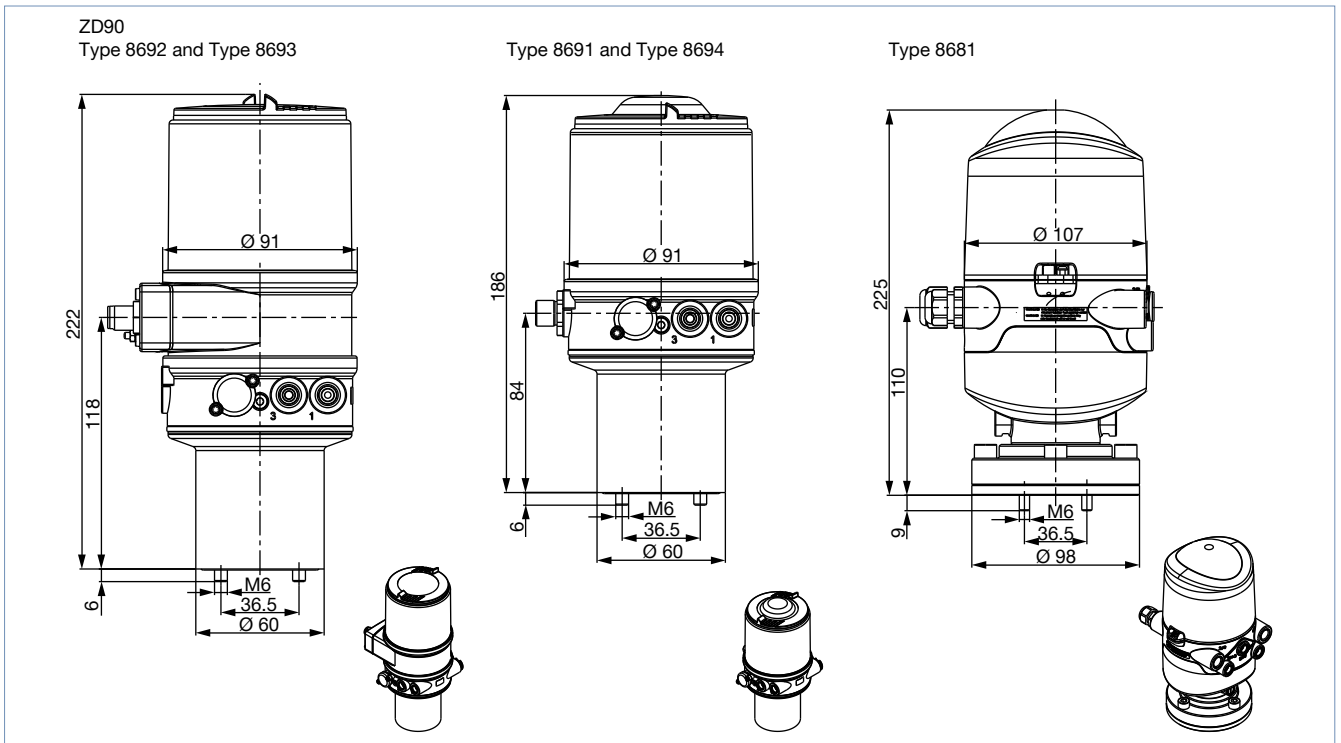
1.) Phase-out model

Note:

Dimensions in mm



DTS 1000184481 EN Version: AA Status: RL (released | freigegeben | valide) printed: 17.10.2023



For Tyco Hovap valves

Note:

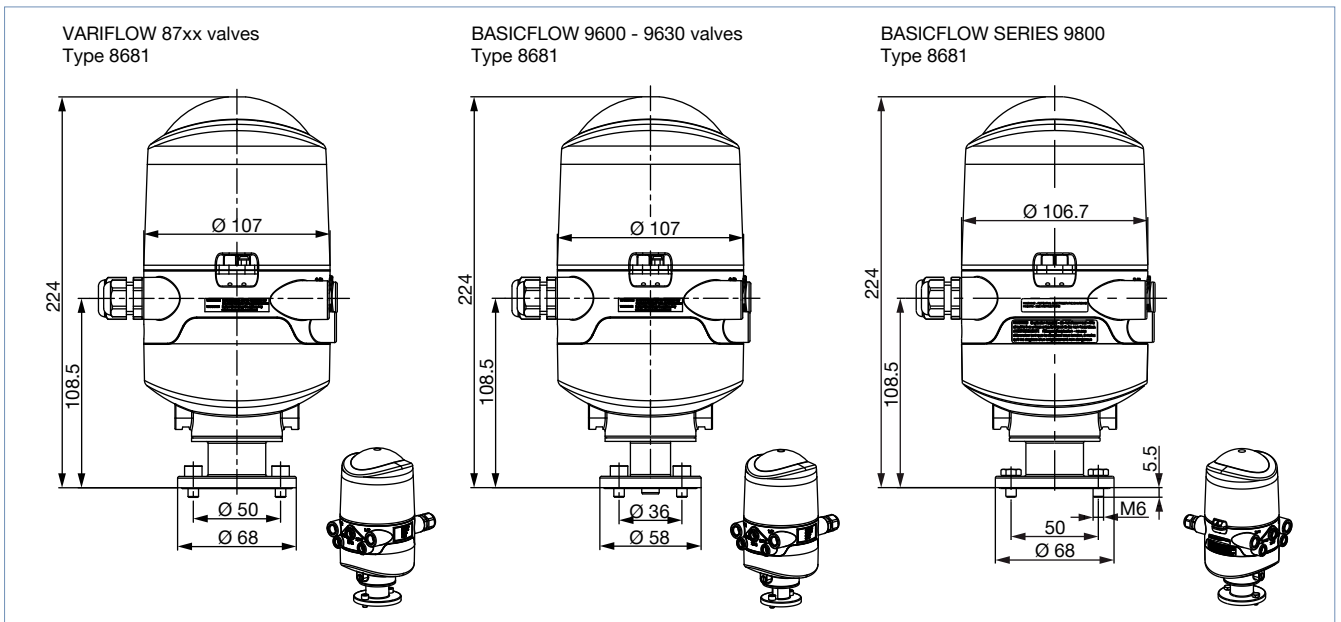
- Further information can be found in chapter “4.1. Notes regarding product selection” on page 10.
- Further versions on request

Actuator type	Designation actuator/valve Tyco Hovap	Article no. adapter kit for Bürkert control heads						
		Type 8681	Type 8691		Type 8695 / 8696		Type 8692 / 8693 / 8694 Type 8791 / 8792 / 8793 with 8798 Remote	
Control air supply		External	Internal	External	Internal	External	Internal	External
Linear actuator (for seat valves)	VARIFLOW SERIE 87XX	230983	-	-	-	-	-	-
	BASICFLOW SERIES 9800	370743	-	-	-	-	-	-
	BASICFLOW SERIE 9600 - 9630 ^{1.)}	230982	-	-	-	-	-	-

1.) Phase-out model

Note:

Dimensions in mm



For Millipore NovAseptic valves

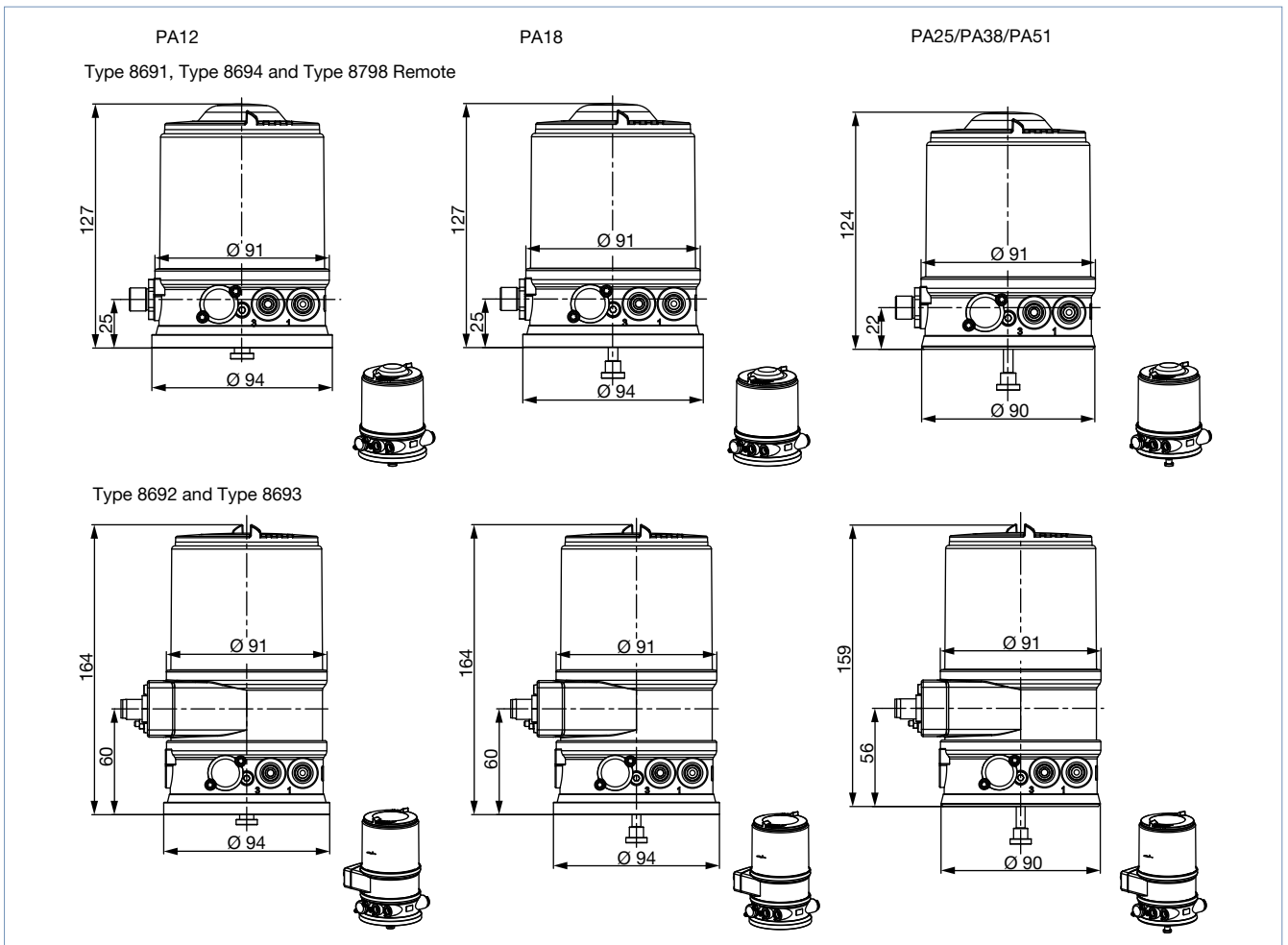
Note:

- Further information can be found in chapter “4.1. Notes regarding product selection” on page 10.
- Further versions on request

Actuator type	Designation actuator/valve Millipore NovAseptic	Article no. adapter kit for Bürkert control heads						
		Type 8681	Type 8691		Type 8695 / 8696		Type 8692 / 8693 / 8694	Type 8791 / 8792 / 8793 with 8798 Remote
Control air supply		External	Internal	External	Internal	External	Internal	External
Linear actuator (for seat valves)	NovAseptic PA12	-	-	235328 ☒	-	-	-	235328 ☒
	NovAseptic PA18	-	-	235355 ☒	-	-	-	235355 ☒
	NovAseptic PA25/PA38/PA51	-	-	235329 ☒	-	-	-	235329 ☒

Note:

Dimensions in mm



DTS 1000184481 EN Version: AA Status: RL (released | freigegeben | validé) printed: 17.10.2023

For Kieselmann valves

Note:

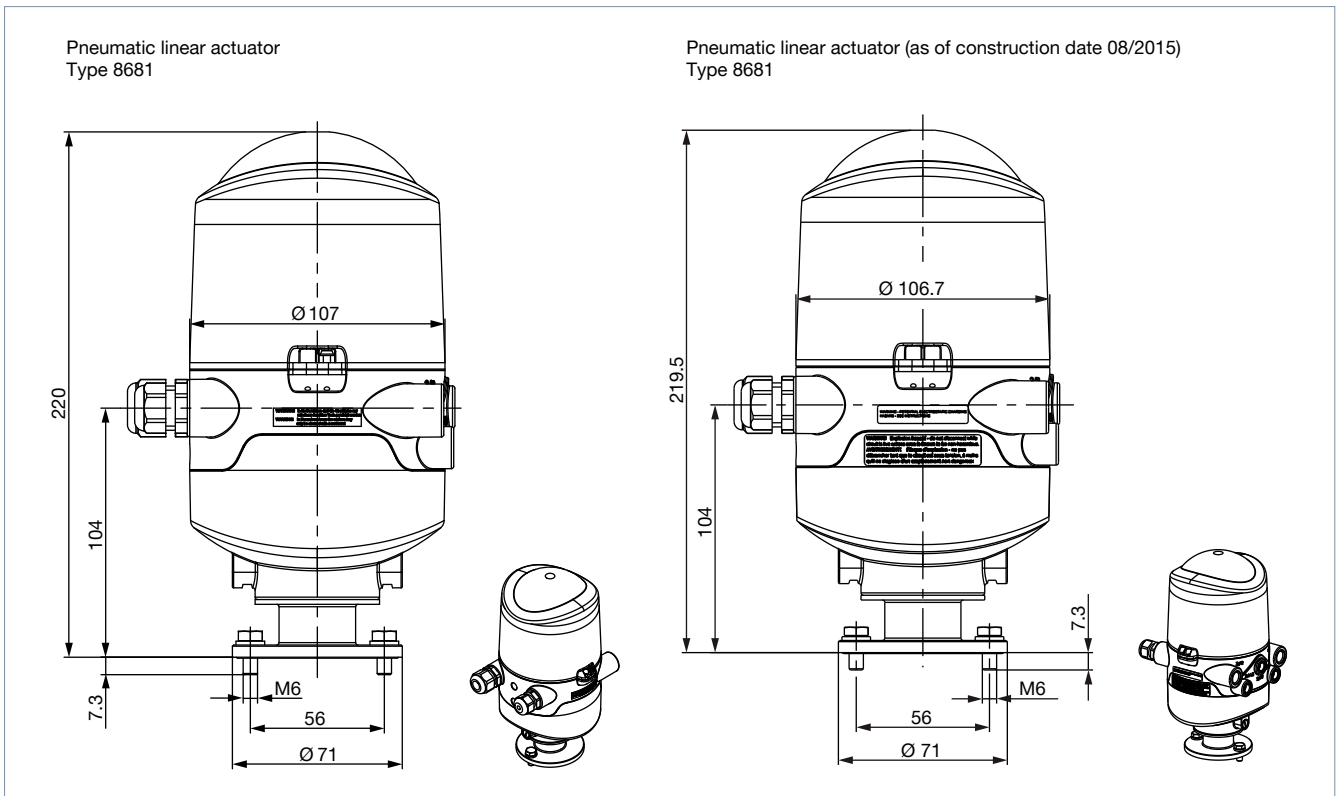
- Further information can be found in chapter “4.1. Notes regarding product selection” on page 10.
- Further versions on request

Actuator type	Designation actuator/valve Kieselmann	Article no. adapter kit for Bürkert control heads						
		Type 8681	Type 8691		Type 8695 / 8696		Type 8692 / 8693 / 8694 Type 8791 / 8792 / 8793 with 8798 Remote	
Control air supply		External	Internal	External	Internal	External	Internal	External
Linear actuator (for seat valves)	Pneumatic linear actuator	245852	-	681705	-	-	-	681705
	Pneumatic linear actuator (as of construction date 08/2015)	368062	-	-	-	-	-	-
Rotary actuator (for butterfly/ball valves)	Pneumatic rotary actuator PDA 75	-	-	-	-	-	673745 ^{1.)}	-
	Pneumatic rotary actuator PDA 100	-	-	-	-	-	673717 ^{1.)}	-

1.) Adaptation for control units with rotary sensor Type 8694

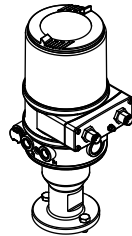
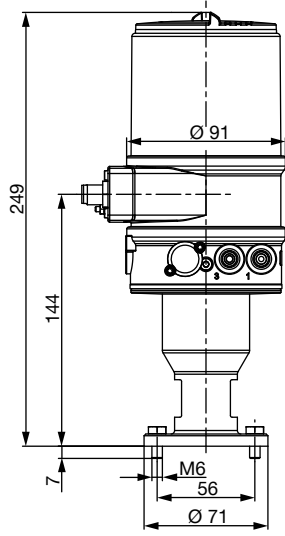
Note:

Dimensions in mm

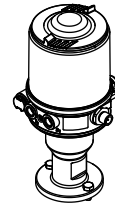
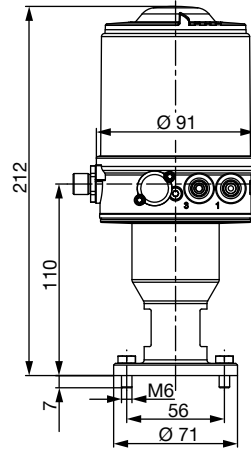


DTS 1000184481 EN Version: AA Status: RL (released | freigegeben | validé) printed: 17.10.2023

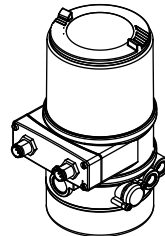
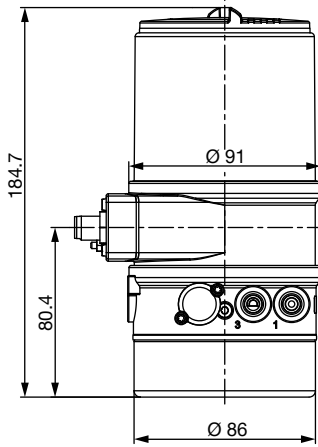
Pneumatic linear actuator
Type 8692 and Type 8693



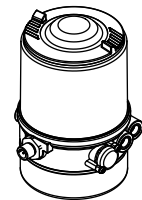
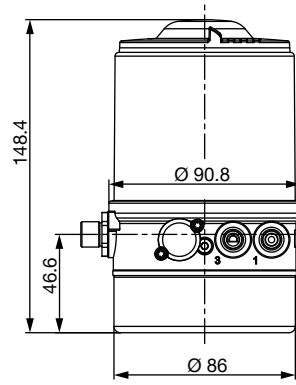
Type 8691 and Type 8694

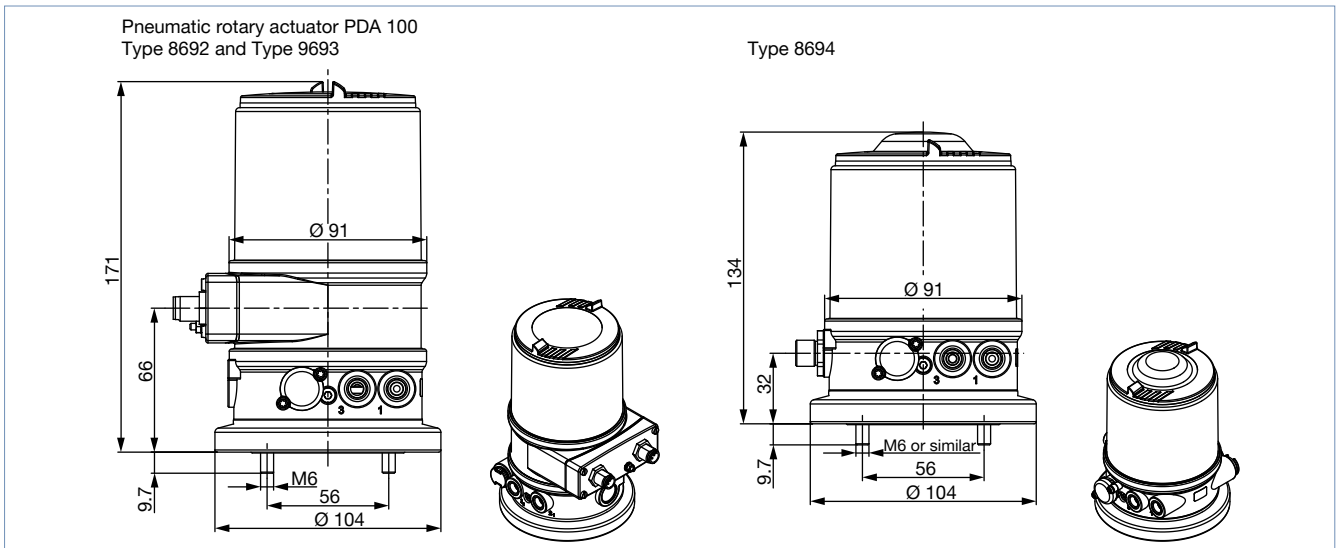


Pneumatic rotary actuator PDA 75
Type 8692 and Type 8693



Type 8694





For Nocado valves

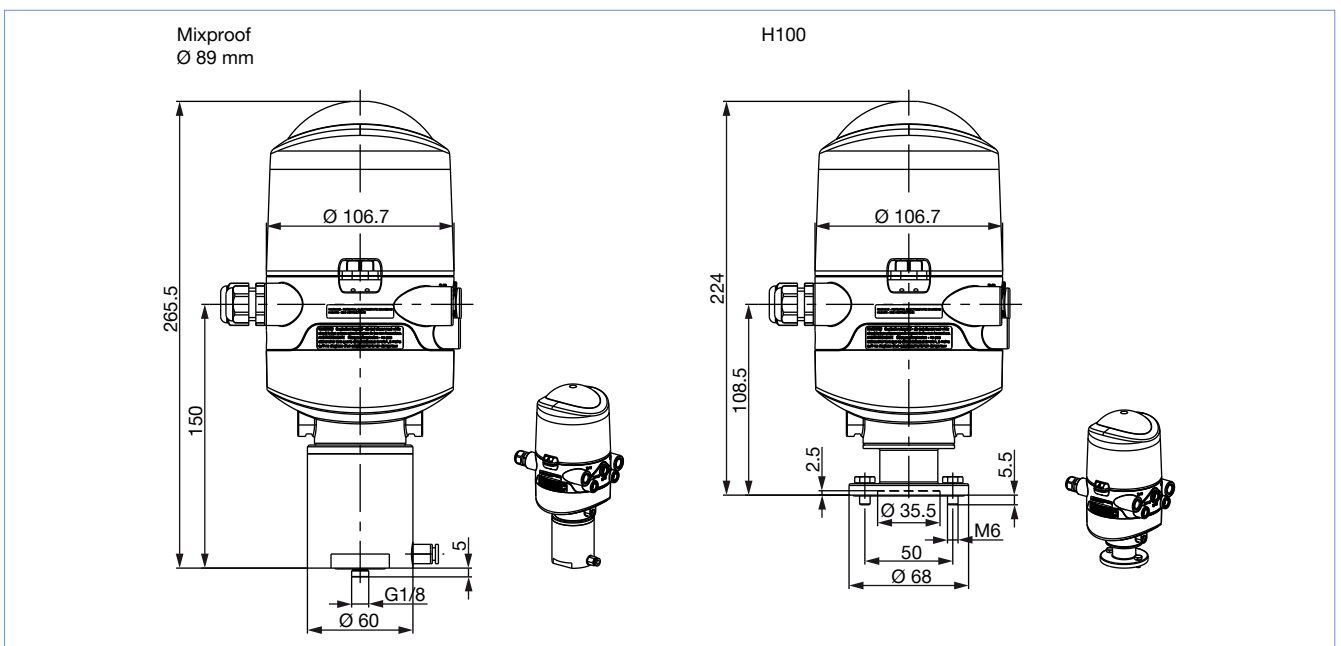
Note:

- Further information can be found in chapter [“4.1. Notes regarding product selection”](#) on page 10.
- Further versions on request

Actuator type	Designation actuator/valve Nocado	Article no. adapter kit for Bürkert control heads						
		Type 8681	Type 8691		Type 8695 / 8696		Type 8692 / 8693 / 8694 Type 8791 / 8792 / 8793 with 8798 Remote	
Control air supply		External	Internal	External	Internal	External	Internal	External
Rotary actuator (for butterfly/ball valves)	H100	370742	-	-	-	-	-	-
	Mixproof Ø 89 mm	326514	-	-	-	-	-	-

Note:

Dimensions in mm



For INOXPA valves

Note:

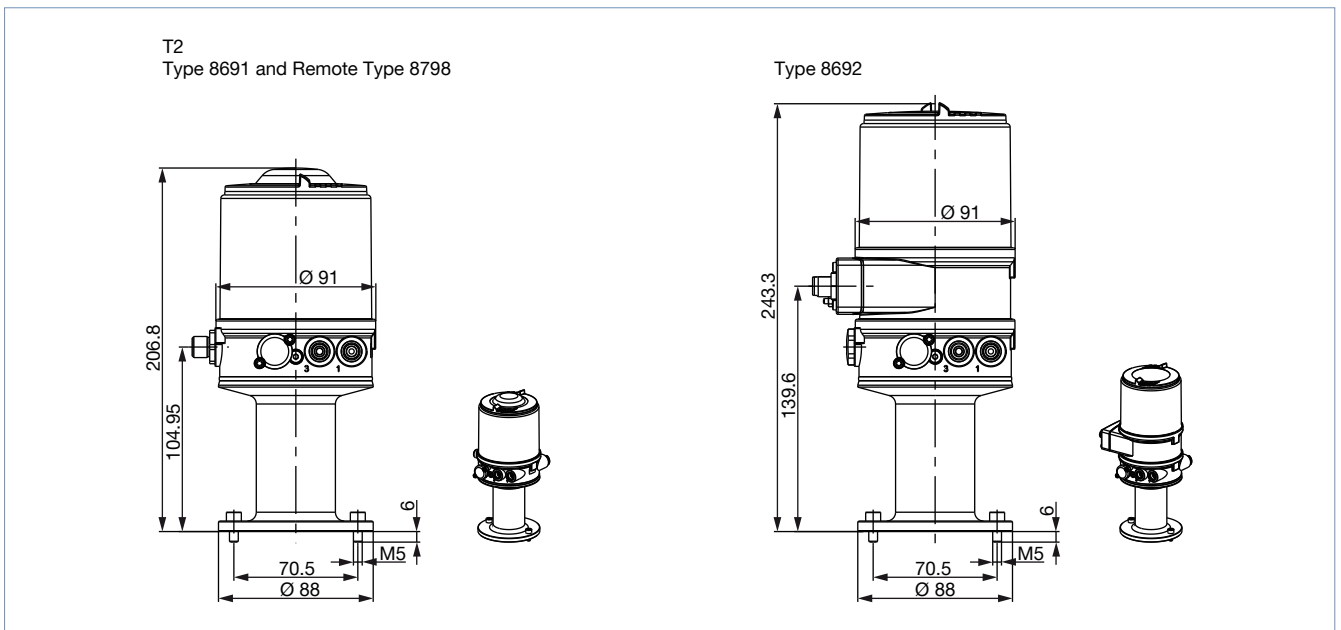
- Further information can be found in chapter “4.1. Notes regarding product selection” on page 10.
- Further versions are available on request.

Actuator type	Designation actuator/valve INOXPA	Article no. adapter kit for Bürkert control heads						
		Type 8681	Type 8691		Type 8695 / 8696		Type 8692 / 8693 / 8694	
		External	Internal	External	Internal	External	Internal	External
Control air supply								
Linear actuator (for seat valves)	T2	-	-	364448 ^{1.)}	-	-	-	-

1.) Adaptation with stroke compensation

Note:

Dimensions in mm



DTS 1000184481 EN Version: AA Status: RL (released | freigegeben | validé) printed: 17.10.2023