



## Electromotive 2-way globe proportional valve

- Actuator is not wetted
- Excellent setting range and fast reaction time
- Low electrical power consumption
- Connection orifice DN 8...15
- Variants: standard, positioner, process controller; and high-pressure variants for up to 22 bar

Product variants described in the data sheet may differ from the product presentation and description.

### Can be combined with

	<b>Type 8006</b> Mass Flow Meter (MFM) ▶
	<b>Type 8008</b> Flowmeter for gases ▶
	<b>Type 8746</b> Mass flow controller (MFC) / Mass flow meter (MFM) for gases ▶
	<b>Type 8611</b> eCONTROL - Universal controller ▶

### Type description

The direct-acting Type 3280 motor valve is suitable for dosing liquids and gases in closed or open control loops. The valve is driven by a linear stepper motor. The integrated electronics assembly simplifies the process integration; additional actuation modules are not necessary. The engine does not need any energy to maintain a certain valve opening. This feature can reduce the energy consumption of a plant dramatically and therefore make it more efficient. Type 3280 is available as an ON/OFF valve or proportional valve by default, as a variant with integrated positioner, and as a variant with integrated process controller.

DTS 1000240084 EN Version: AE Status: RL (released | freigegeben | validé) printed: 07.11.2023

## Table of contents

<b>1. General technical data</b>	<b>3</b>
1.1. General.....	3
1.2. Electrical control and interfaces.....	4
<b>2. Approvals and conformities</b>	<b>5</b>
2.1. General notes.....	5
2.2. Conformity .....	5
2.3. Standards.....	5
2.4. Foods and beverages/Hygiene .....	5
2.5. Others .....	5
Oxygen.....	5
<b>3. Materials</b>	<b>6</b>
3.1. Bürkert resistApp .....	6
3.2. Material specifications .....	6
<b>4. Dimensions</b>	<b>7</b>
4.1. Threaded version .....	7
4.2. Sub-base version.....	8
4.3. Cartridge version.....	9
4.4. Capacitive buffer module.....	10
<b>5. Device/Process connections</b>	<b>11</b>
5.1. Analogue.....	11
5.2. Digital (fieldbus).....	11
<b>6. Performance specifications</b>	<b>12</b>
6.1. Duty cycle derating diagram .....	12
6.2. Pressure range .....	13
Standard version.....	13
High-pressure version.....	13
6.3. Flow characteristic.....	14
Determination of the $K_v$ value .....	14
Exemplary characteristic curve of the motor valve.....	14
<b>7. Product operation</b>	<b>15</b>
<b>8. Product accessories</b>	<b>16</b>
8.1. Accessories capacitive buffer module.....	16
8.2. Bürkert Communicator Software .....	16
Connection Type 3280 with Bürkert Communicator software.....	17
<b>9. Ordering information</b>	<b>17</b>
9.1. Bürkert eShop.....	17
9.2. Recommendation regarding product selection.....	17
9.3. Bürkert product filter.....	17
9.4. Bürkert Product Enquiry Form .....	18
9.5. Ordering chart accessories.....	18
Standard accessories .....	18
Accessories cable.....	18
Bürkert accessories .....	18

DTS 1000240084 EN Version: AE Status: RL (released | freigegeben | validé) printed: 07.11.2023

## 1. General technical data

### 1.1. General

Product properties	
Dimensions	Further information can be found in chapter <a href="#">“4. Dimensions” on page 7.</a>
Material	
Further information can be found in chapter <a href="#">“3.2. Material specifications” on page 6.</a>	
Valve body	Brass or stainless steel
Seal <sup>1)</sup>	<ul style="list-style-type: none"> <li>• NBR for liquids</li> <li>• EPDM for liquids and special gases (e. g. ammonia, acetylene)</li> <li>• FKM for neutral gases</li> </ul>
Design	<ul style="list-style-type: none"> <li>• Globe On/Off valve</li> <li>• Globe control valve</li> </ul>
Connection nominal diameter	DN 8...DN 15, NPS ¼, ¾, ½
Safety setting in case of power failure	With capacitive buffer module as accessory, see chapter <a href="#">“4.4. Capacitive buffer module” on page 10.</a>
Flow direction	Against closing direction (below seat)
Controller variant	Standard On/Off, standard control valve, position controller or process controller
Weight	~0.7 kg
Status display	LED (Refer to the <a href="#">operating instructions Type 3280 ▶</a> for more information.)
Performance data	
Typical values of positioning behaviour <sup>2)</sup>	
Dead band of the position control	± 0.5 % (corresponds to setting range 1:100)
Closing time	2.5 s
Operating pressure	0...6 bar(g) (High pressure version up to 22 bar(g) (depending on seat size, see chapter <a href="#">“6.2. Pressure range” on page 13</a> ) available (optional)) Vacuum version up to -0.9 bar(g) (optional)
K <sub>vs</sub> value	0.03...1.9 m <sup>3</sup> /h (see chapter <a href="#">“6.2. Pressure range” on page 13</a> )
Electrical data	
Operating voltage	24 V DC ± 10 % (max. residual ripple 10 %)
Duty cycle	Up to 100 % (depending on medium and ambient temperature)
Power consumption	< 1 W in holding position Max. 8 W (DN 2...DN 6) resp. max. 12 W (DN 8 and DN 10, as well as high-pressure versions)
Medium data	
Operating medium	Neutral gases, liquids
Medium temperature	<ul style="list-style-type: none"> <li>• EPDM (seal material): -30 °C...+70 °C</li> <li>• FKM, NBR (seal material): 0 °C...+70 °C</li> </ul>
Viscosity	Max. 600 mm <sup>2</sup> /s (cSt)
Process/Port connection & communication	
Port connection <sup>3)</sup>	<ul style="list-style-type: none"> <li>• Threaded connection               <ul style="list-style-type: none"> <li>– G (EN ISO 228-1)</li> <li>– NPT (ASME B 1.20.1)</li> </ul> </li> <li>• Flange connection</li> <li>• Cartridge connection</li> </ul> Further information can be found in chapter <a href="#">“4. Dimensions” on page 7.</a>
Communication and control	
Standard signal (analogue)	Setpoint: binary, 0/4...20 mA, 0...5/10 V and digital input, see chapter <a href="#">“1.2. Electrical control and interfaces” on page 4.</a>
Fieldbus (digital)	<ul style="list-style-type: none"> <li>• Bürkert system bus (büS)</li> <li>• CANopen (optional)</li> </ul>
EDIP	Field device for integration into the EDIP platform via Bürkert system bus (büS) Further information can be found in chapter <a href="#">“8.2. Bürkert Communicator Software” on page 16.</a>
Approvals and conformities	
Degree of protection	IP54
Foods and beverages/Hygiene	Further information can be found in chapter <a href="#">“2.4. Foods and beverages/Hygiene” on page 5.</a>
Others	Further information can be found in chapter <a href="#">“2.5. Others” on page 5.</a>

Environment and installation	
Installation position	As required, preferably with actuator upright
Ambient temperature <sup>4.)</sup>	- 10 °C...+ 60 °C (Derating see chapter “6.1. Duty cycle derating diagram” on page 12)

- 1.) For seat sizes 1 and 1.5, PEEK seat seals are used. In this case the seat tightness of the valve is reduced.
- 2.) The characteristic values of the control behaviour depend on the operating conditions and refer to the final value.
- 3.) Others on request
- 4.) Maximum ambient temperature for high-pressure version and from seat size 8 and 10 mm 50 °C

**1.2. Electrical control and interfaces**

Technical data	Device variant					
	Standard (G/H)		Positioner (C)		Process controller (D)	
	ON/OFF (G)	Control valve (H) <sup>1.)</sup>	Analogue	Digital (fieldbus)	Analogue	Digital (fieldbus)
Electrical connection	M12 plug, A-coded, 8-pin	M12 plug, A-coded, 8-pin	M12 plug, A-coded, 8-pin	M12 plug, A-coded, 5-pin	M12 plug, A-coded, 8-pin and M12 socket, A-coded, 5-pin	M12 plug, A-coded, 5-pin and M12 socket, A-coded, 5-pin
Input signal (setpoint)	Digital input: 0...5 V (log. 0, valve closed) or 10...30 V (log. 1, valve open)	4...20 mA, 0...10 V or PWM (800 Hz) min: 10 V   type: 24 V   max: 30 V)	4...20 mA, 0...20 mA, 0...10 V or 0...5 V	–	4...20 mA, 0...20 mA, 0...10 V or 0...5 V	–
Input signal (actual value from ext. Sensor)	–	–	–	–	4...20 mA, 0...20 mA, 0...10 V or 0...5 V	4...20 mA, 0...20 mA, 0...10 V, 0...5 V or frequency (5...2000 Hz)
Input impedance for analogue input	22 kΩ	60 Ω (current), 22 kΩ (voltage)	60 Ω (current), 22 kΩ (voltage)	–	60 Ω (current), 22 kΩ (voltage)	60 Ω (current), 22 kΩ (voltage)
Output signal (actual value)	Digital output: PNP, max. 100 mA current limits, feedback function (output signal active, when valve closed)	Digital output: PNP, max. 100 mA current limits, feedback function (output signal active, when valve closed)	0/4...20 mA (max. load: 560 Ω), 0...5/10 V (max. current: 10 mA)	–	0/4...20 mA (max. load: 560 Ω), 0...5/10 V (max. current: 10 mA)	–
Fieldbus interface	–	–	–	büS/CANopen	–	büS/CANopen
Parameterisation Tool	–	–	Bürkert Communicator (Connection via büS stick)	Bürkert Communicator (Connection via büS stick)	Bürkert Communicator (Connection via büS stick)	Bürkert Communicator (Connection via büS stick)

1.) The standard control valve variant is a proportional valve which, like the positioner variant, changes the valve stroke continuously depending on the input signal. This variant has no büS interface and no analogue output signal.

DTS 1000240084 EN Version: AE Status: RL (released | freigegeben | validé) printed: 07.11.2023

## 2. Approvals and conformities

### 2.1. General notes

- The approvals and conformities listed below must be stated when making enquiries. This is the only way to ensure that the product complies with all required specifications.
- Not all available versions can be supplied with the below mentioned approvals or conformities.

### 2.2. Conformity

In accordance with the Declaration of conformity, the product is compliant with the EU Directives.

### 2.3. Standards

The applied standards which are used to demonstrate compliance with the EU Directives are listed in the EU-Type Examination Certificate and/or the EU Declaration of Conformity.

### 2.4. Foods and beverages/Hygiene

Conformity	Description
FDA	<b>FDA – Code of Federal Regulations</b> All wetted materials are compliant with the Code of Federal Regulations published by the FDA (Food and Drug Administration, USA) according to the manufacturer's declaration.

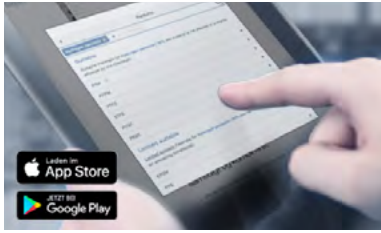
### 2.5. Others

#### Oxygen

Conformity	Description
O <sub>2</sub>	<b>Oxygen</b> In their composition, the products are suitable for use with gaseous oxygen (optional).

### 3. Materials

#### 3.1. Bürkert resistApp



#### Bürkert resistApp – Chemical resistance chart

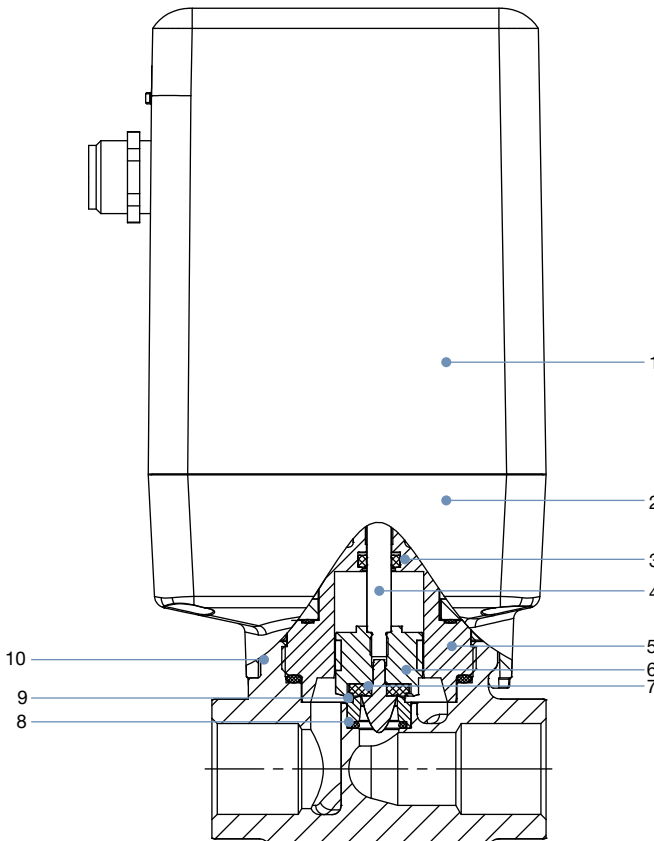
You want to ensure the reliability and durability of the materials in your individual application case? Verify your combination of media and materials on our website or in our resistApp.

[Start chemical resistance check](#)

#### 3.2. Material specifications

**Note:**

The globe control valve Type 3280 is supplied with various port connections. These connections are not shown completely. However, they correspond to the material of the valve housing.



#### Actuator

No.	Element	Material
1	Housing cover	PC (Polycarbonate)
2	Housing base	PPS (Polyphenylene sulfide)

#### Valve body

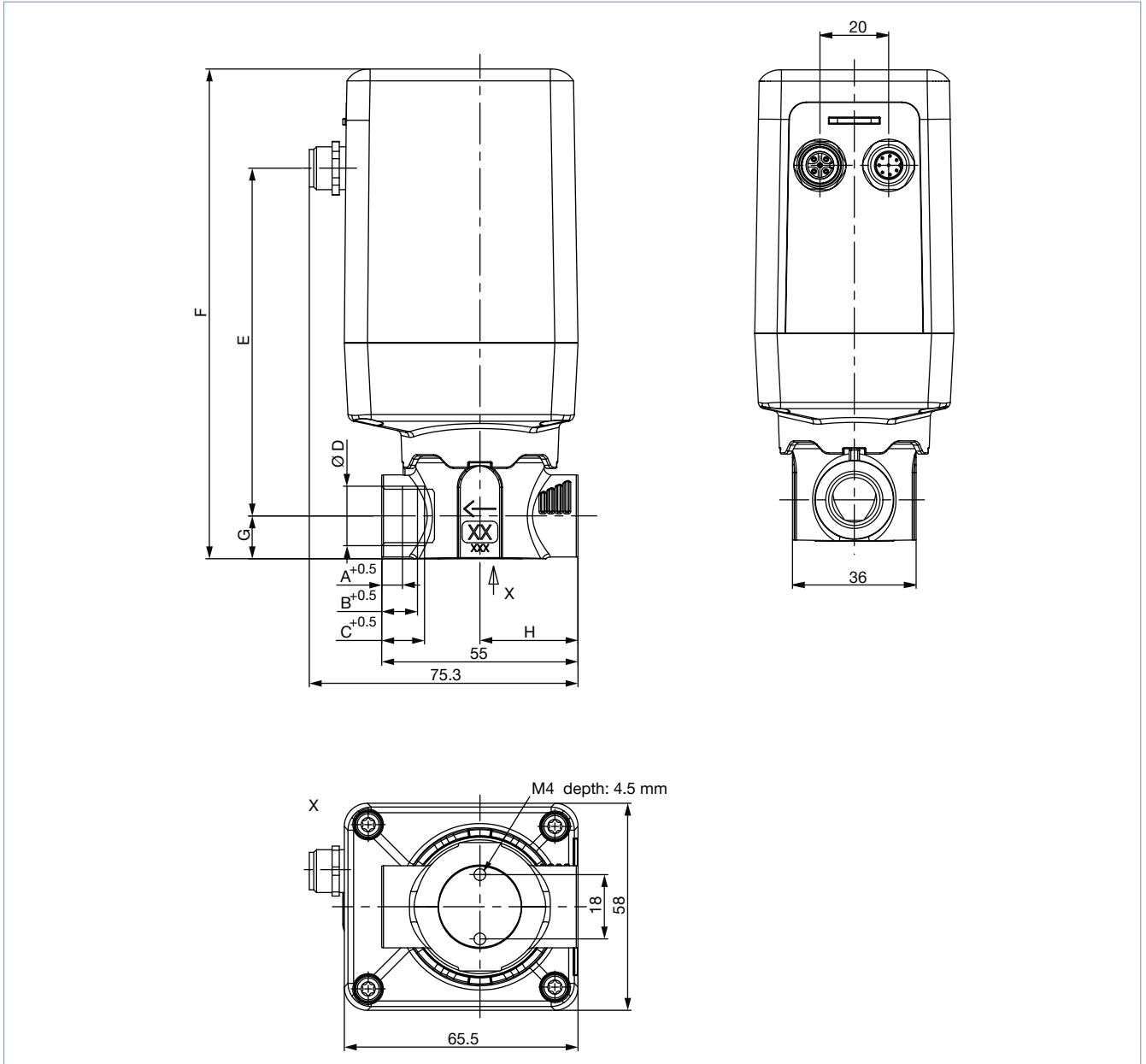
No.	Element	Material
3	Spindle seal	FKM/EPDM/NBR
4	Spindel	Stainless steel 1.4305
5	Upper valve body	Brass or stainless steel 1.4305
6	Piston with parabolic control element and guiding shaft	PTFE Stainless steel 1.4305
7	Elastomer seat seal	FKM/EPDM/NBR
8	O-ring	FKM/EPDM/NBR
9	Seat	Stainless steel 1.4301/1.4305
10	Valve body	Brass or stainless steel AISI 316L

## 4. Dimensions

### 4.1. Threaded version

**Note:**

Dimensions in mm

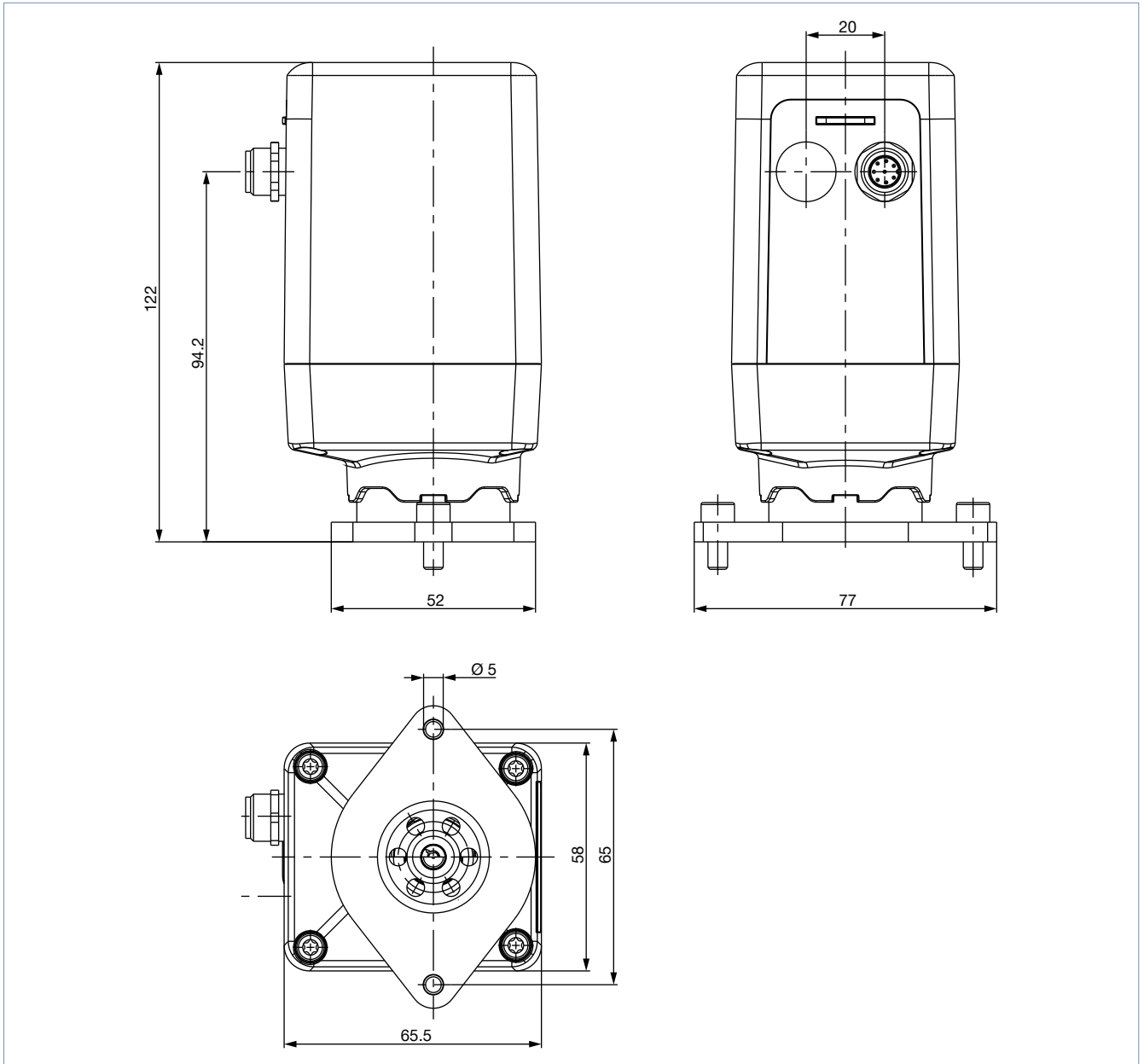


A	B	C	D	E	F	G	H
-	-	12	G 3/8	97.4	137.2	12	27.5
6	10.3	-	NPT 3/8	97.4	137.2	12	27.5
-	-	12	G 1/4	96.4	134.2	10	27.5
5.8	10	-	NPT 1/4	96.4	134.2	10	27.5
-	-	14	G 1/2	97.4	139.2	14	29.5
8.2	13.7	-	NPT 1/2	97.4	139.2	14	29.5

#### 4.2. Sub-base version

**Note:**

Dimensions in mm



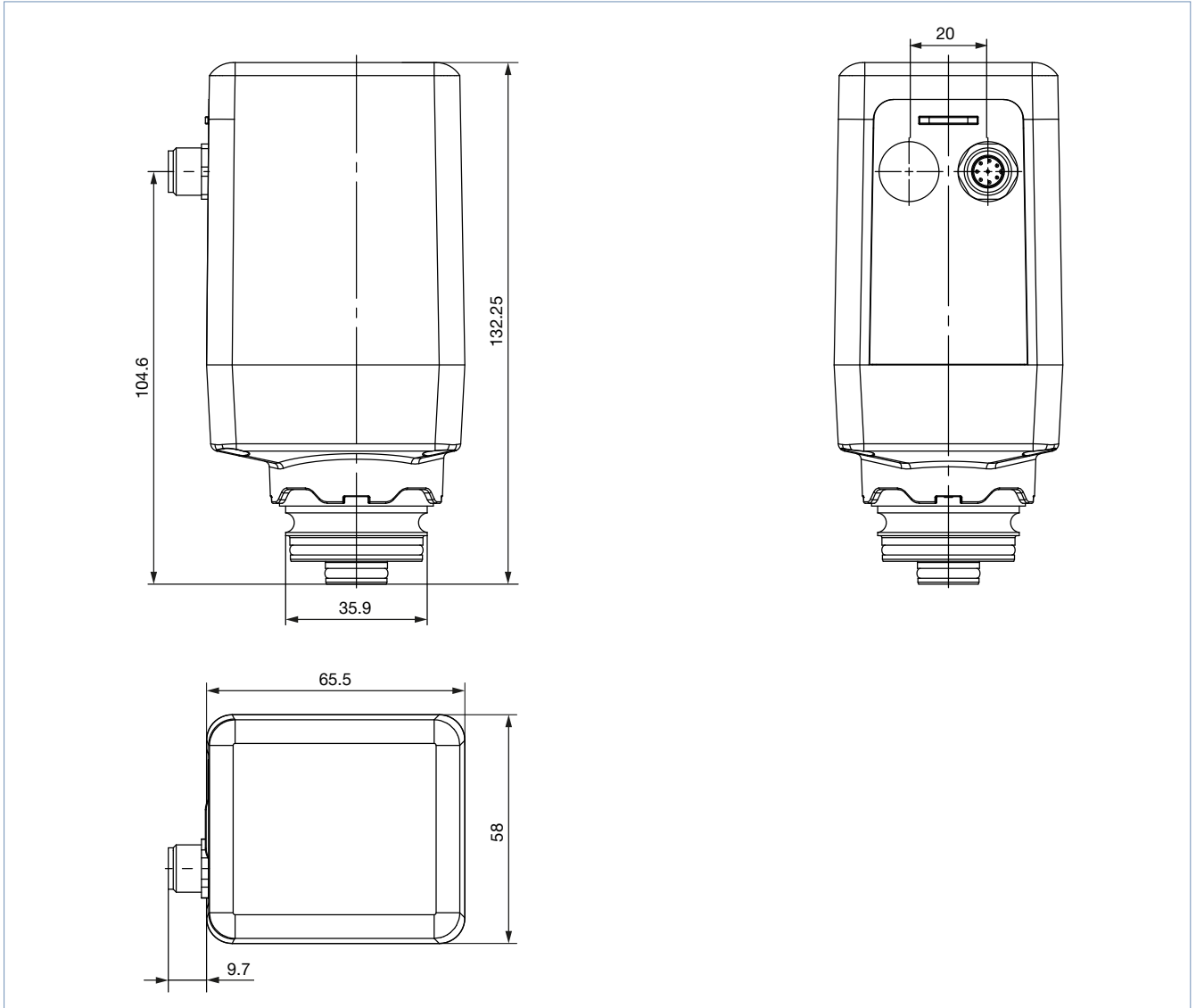
DTS 1000240084 EN Version: AE Status: RL (released | freigegeben | validé) printed: 07.11.2023



### 4.3. Cartridge version

**Note:**

- Dimensions in mm
- Installation drawing for cartridge body see **operating instructions Type 3280** ▶

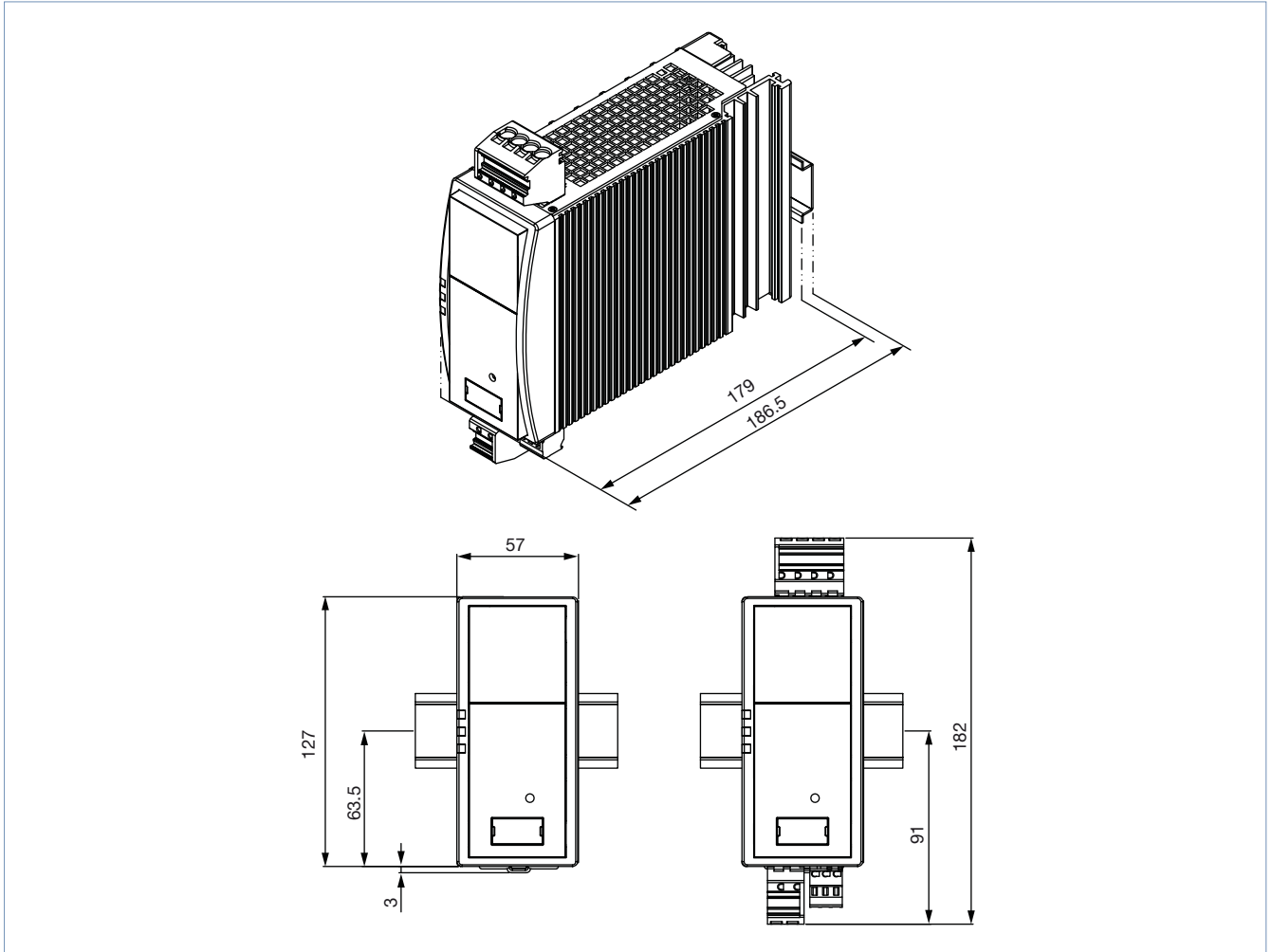


DTS 1000240084 EN Version: AE Status: RL (released | freigegeben | validé) printed: 07.11.2023

#### 4.4. Capacitive buffer module

**Note:**

- Dimensions in mm
- Further information can be found in chapter **"8.1. Accessories capacitive buffer module"** on page 16.

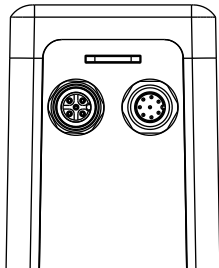


## 5. Device/Process connections

### 5.1. Analogue

**Note:**

For parameterisation and configuration of the positioner and the process controller variants, please use the Bürkert Communicator software tool, see **“8.2. Bürkert Communicator Software” on page 16.**



Circular connector M12, 8-pin	Pin	Configuration
	1	24 V DC
	2	Power supply GND
	3	Internal use <sup>1.)</sup>
	4	Internal use <sup>1.)</sup>
	5	Internal use <sup>1.)</sup>
	6	Signal input +
	7	Signal output
	8	Signal GND

1.) Only for positioners and process controllers variant, for connection of the parameterisation tools: Bürkert Communicator. The connection is via the büS-Stick. Using an adapter cable (M12 8-pin to M12 5-pin) the büS-Stick can be connected (see **“9.5. Ordering chart accessories” on page 18).**

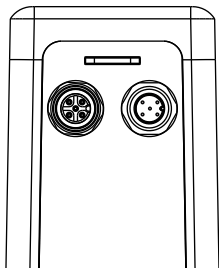
Additional for process controller variant:

Socket M12, 5-pin	Pin	Configuration
	1	24 V DC sensor power supply
	2	Analogue $I_N$ (0...20 mA, 4...20 mA, 0...5 V or 0...10 V)
	3	GND
	4	GND (bridge according to GND pin 3)
	5	Not connected

### 5.2. Digital (fieldbus)

**Note:**

For parameterisation and configuration of the positioner and the process controller variants, please use the Bürkert Communicator software tool, see **“8.2. Bürkert Communicator Software” on page 16.**



Circular connector M12, 5-pin	Pin	Configuration
	1	Shield
	2	24 V DC
	3	GND
	4	CAN high
	5	CAN low

Additional for process controller variant:

Socket M12, 5-pin	Pin	Configuration
	1	24 V DC sensor power supply
	2	Analogue $I_N$ (0...20 mA, 4...20 mA, 0...5 V, 0...10 V or frequency)
	3	GND
	4	GND (bridge according to GND pin 3)
	5	Not connected

## 6. Performance specifications

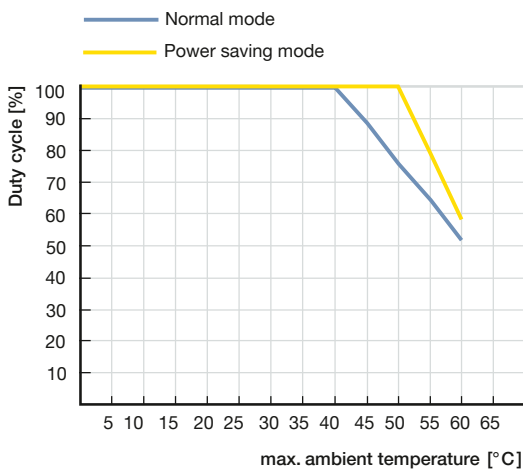
### 6.1. Duty cycle derating diagram

**Note:**

- The duty cycle is an important factor for motor valves. The self-heating of the engine limits the maximum duty cycle. High ambient temperatures additionally increase the risk of damage due to overheating. The following diagram shows the recommended maximum duty cycle as a function of the ambient temperature. In energy-saving mode (lower driving force), higher duty cycles are possible. The motor is optimised for the valve function in terms of size, power consumption and costs.
- The duty cycle does not mean the duty cycle of the device but the duty cycle of the motor. This is only switched on when the valve is to move. Frequent set-point value changes drastically increase the duty cycle of the motor.
- Operating the valve outside the recommended duty cycle limits will result in a significantly reduced service life of the valve.

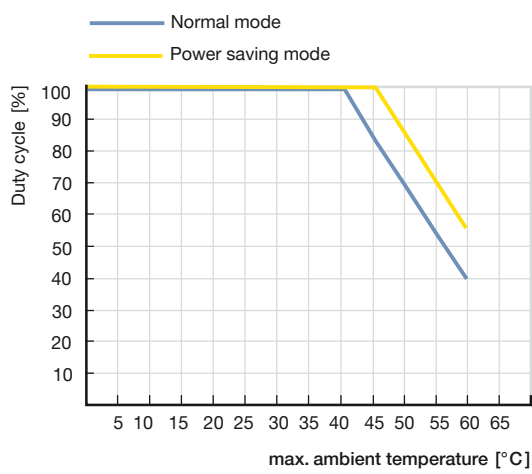
**Type 3280**

Seat DN1...6 < 6 bar standard



**Type 3280**

Seat DN1...6 < 6 bar positioner and process controller  
 DN8...10 < 6 bar standard  
 DN1...10 > 6 bar standard



Derating curve for positioner and process controller DN 8...DN 10: see [operating instructions Type 3280](#) ▶.

DTS 1000240084 EN Version: AE Status: RL (released | freigegeben | validé) printed: 07.11.2023

## 6.2. Pressure range

### Standard version

**Note:**

For orders from our standard product range, use the product filter in our eShop (see “9.1. Bürkert eShop” on page 17). Alternatively, you can use the Product Enquiry Form (see “9.4. Bürkert Product Enquiry Form” on page 18) for information about the device layout and send it to us after completion.

Valve function	Seat size	Port connection	K <sub>vs</sub> -value	Pressure range
	[mm]		[m <sup>3</sup> /h] <sup>1.)</sup>	[bar(g)]
Control valve, without safety position in case of power failure	1	G ¼	0.030	0...6
	1.5	G ¼	0.065	0...6
	2	G ¼	0.130	0...6
	3	G ¼	0.300	0...6
	4	G ⅜	0.500	0...6
	5	G ⅜	0.750	0...6
	6	G ⅜	0.900	0...6
	8	G ½	1.500	0...6
	10	G ½	1.900	0...6

1.) Flow value for water, measurement at +20 °C, 1 bar pressure difference above the fully open valve

### High-pressure version

**Note:**

- For orders from our standard product range, use the product filter in our eShop (see “9.1. Bürkert eShop” on page 17). Alternatively, you can use the Product Enquiry Form (see “9.4. Bürkert Product Enquiry Form” on page 18) for information about the device layout and send it to us after completion.
- For applications requiring a higher operating pressure, high-pressure versions are available. Please note that for the high-pressure version, the control in the lower range of the characteristic curve (<5 % of the max. set point) can be impaired.

Valve function	Seat size	Port connection	K <sub>vs</sub> -value	Pressure range fluid media	Pressure range gaseous media
	[mm]		[m <sup>3</sup> /h] <sup>1.)</sup>	[bar(g)]	[bar(g)]
Control valve, without safety position in case of power failure	1	G ¼	0.030	0...15	0...22
	1.5	G ¼	0.065	0...15	0...22
	2	G ⅜	0.130	0...15	0...22
	3	G ⅜	0.300	0...15	0...22
	4	G ⅜	0.500	0...12 <sup>2.)</sup>	0...12 <sup>2.)</sup>
	5	G ⅜	0.750	0...12 <sup>2.)</sup>	0...12 <sup>2.)</sup>
	6	G ⅜	0.900	0...15	0...16
	8	G ½	1.500	0...12	0...12
	10	G ½	1.900	0...10	0...10

1.) Flow value for water, measurement at +20 °C, 1 bar pressure difference above the fully open valve

2.) Pressure range 0...12 bar for sealing material FKM, pressure range 0...15 bar for sealing material EPDM, NBR

Further versions on request	
<p><b>Additional</b> Variant with vent hole: Valve with vent hole to detect wear of the stem seal (optional).</p>	<p><b>Voltage</b> Variant with connections above the valve inlet: Valve with the electrical connections above the valve inlet (optional)</p>
<p><b>Temperature</b> Low temperature variant: Suitable for minimum medium temperatures down to -30 °C (sealing material EPDM) (optional)</p>	<p><b>Pressure</b> Vacuum variant: This variant is suitable up to -0.9 bar(g) (optional)</p>

DTS 1000240084 EN Version: AE Status: RL (released | freigegeben | valide) printed: 07.11.2023

### 6.3. Flow characteristic

#### Determination of the $K_v$ value

**Note:**

Once the  $K_v$ -value required for the application has been calculated, it can be compared with the  $K_{vS}$ -values from the ordering chart. The  $K_{vS}$ -value must be higher than the  $K_v$ -value of the application, but should be neither too high nor too close to it - as a recommendation: 10% higher.

Pressure drop	$K_v$ value for liquids [m <sup>3</sup> /h]	$K_v$ value for gases [m <sup>3</sup> /h]
Sub-critical $p_2 > \frac{p_1}{2}$	$= Q \sqrt{\frac{\rho}{1000 \Delta p}}$	$= \frac{Q_N}{514} \sqrt{\frac{T_1 \rho_N}{p_2 \Delta p}}$
Supercritical $p_2 < \frac{p_1}{2}$	$= Q \sqrt{\frac{\rho}{1000 \Delta p}}$	$= \frac{Q_N}{257 p_1} \sqrt{T_1 \rho_N}$

$K_v$	Flow coefficient	[m <sup>3</sup> /h] <sup>1)</sup>
$Q_N$	Standard flow rate	[m <sup>3</sup> /h] <sup>2)</sup>
$p_1$	Inlet pressure	[bar] <sup>3)</sup>
$p_2$	Outlet pressure	[bar] <sup>3)</sup>
$\Delta p$	Differential pressure $p_1, \dots, p_2$	[bar]
$\rho$	Density	[kg/m <sup>3</sup> ]
$\rho_N$	Standard density	[kg/m <sup>3</sup> ]
$T_1$	Medium temperature	[(273+t)K]

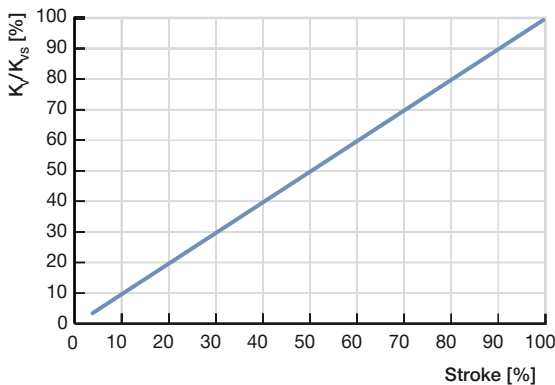
- 1.) Measured for water,  $\Delta p = 1$  bar
- 2.) At reference conditions 1.013 bar and 0 °C (273 K)
- 3.) Absolute pressure

#### Exemplary characteristic curve of the motor valve

**Note:**

The design of the seat size is very important for the proper functioning of electromotive proportional valves within the application. The seat size must be selected in such a way that, on the one hand, the desired flow range is achieved and, on the other hand, when the valve is fully open, a sufficient part of the total pressure drop takes place via the valve.

Reference value:  $\Delta p$  valve > 25 % of the total pressure drop  
 Otherwise, an ideal, linear valve characteristic is deformed into a curved system characteristic.



Linear flow characteristic - the  $K_{vS}$  values of the respective seat sizes can be found in chapter "6.2. Pressure range" on page 13.

DTS 1000240084 EN Version: AE Status: RL (released | freigegeben | validé) printed: 07.11.2023

## 7. Product operation

### Standard on/off valve

In the ON/OFF variant, an external voltage signal is digitized and the valve is closed or opened. The status of the two end positions of the valve are indicated on the LED. In addition, the valve position “closed” is reached via the digital output.

### Standard control valve

The standard proportional valve converts an external standard signal (position set-point value) into a valve position. Both valve end positions are indicated by the LED status. Additionally, the digital output indicates when the “closed” valve position has been achieved.

Process diagram	Description
	<p><b>Positioner variant</b></p> <p>The proportional valve in the position control variant converts an external standard signal, the position set-point value, into a valve position. The position of the actuator is controlled according to the set-point position. The position sensor records the current position (POS) of the electromotive valve. This actual position is compared by the positioner with the set-point value (CMD) specified as the standard signal. If there is a control difference (Xd1), a motor control signal is given to the actuator as the actuating variable. Z1 is a disturbance value.</p> <p>The two end positions of the valve are indicated by the LED status. In addition, the actual position recorded by the position sensor is output via the M12 circular plug-in connector.</p>
	<p><b>Process controller variant</b></p> <p>The additionally implemented PID controller can perform not only the actual position control but also a process control in the sense of a cascade control.</p> <p>The process controller is integrated into a control loop. The position setpoint of the valve is calculated from the process setpoint and the actual process value via the control parameters (PID controller). The process setpoint can be specified by an external signal.</p> <p>During the process control the position control mentioned above becomes the subordinate auxiliary control circuit; this results in a cascade control. The process controller in the main control circuit has a PID function.</p> <p>The process set-point value (SP) is specified as a set-point value and is compared with the actual value (PV) of the process variable to be controlled. The position measuring system records the current position (POS) of the electromotive linear actuator. This position actual value is compared by the position controller with the set-point value (CMD) specified by the process controller. If there is a control difference (Xd2), the actual position (POS) and therefore the valve opening are changed by the control variable (CTRL). Z2 represents a disturbance variable.</p>


DTS 1000240084 EN Version: AE Status: RL (released | freigegeben | validé) printed: 07.11.2023

## 8. Product accessories

### 8.1. Accessories capacitive buffer module

**Note:**

- See “4.4. Capacitive buffer module” on page 10 for information about dimensions.
- See “Standard accessories” on page 18 for ordering information.

Accessories	Description
<p>Motor valve(s) connection</p>  <p>24 V DC power supply For example: Single phase, primary switched mode power supply Type 1573</p>	<ul style="list-style-type: none"> <li>• Capacitive buffer module for moving to a safety position in case of power failure</li> <li>• In order to be able to move to a safety position of the valve in the event of a power failure, the valve must be supplied with voltage via the capacitive buffer module. In the event of a power failure, the buffer module provides an output voltage of 18 V DC for a few seconds. The reduced input voltage is detected by the valve and the safety position is approached accordingly. Up to 3 valves of Type 3280 or 2 valves of Type 3281 and Type 3285 can be connected to a buffer module. Factory setting of the safety position: “valve closed”</li> <li>• For standard version (functionality available from software version A.08): Adjustable via DIP switch (when the operating direction is reversed, the safety position changes to “valve open”)</li> <li>• For positioner and process controller variant (functionality available from software version A.06): Adjustable via Bürkert Communicator (user-defined safety position)</li> </ul>

### 8.2. Bürkert Communicator Software

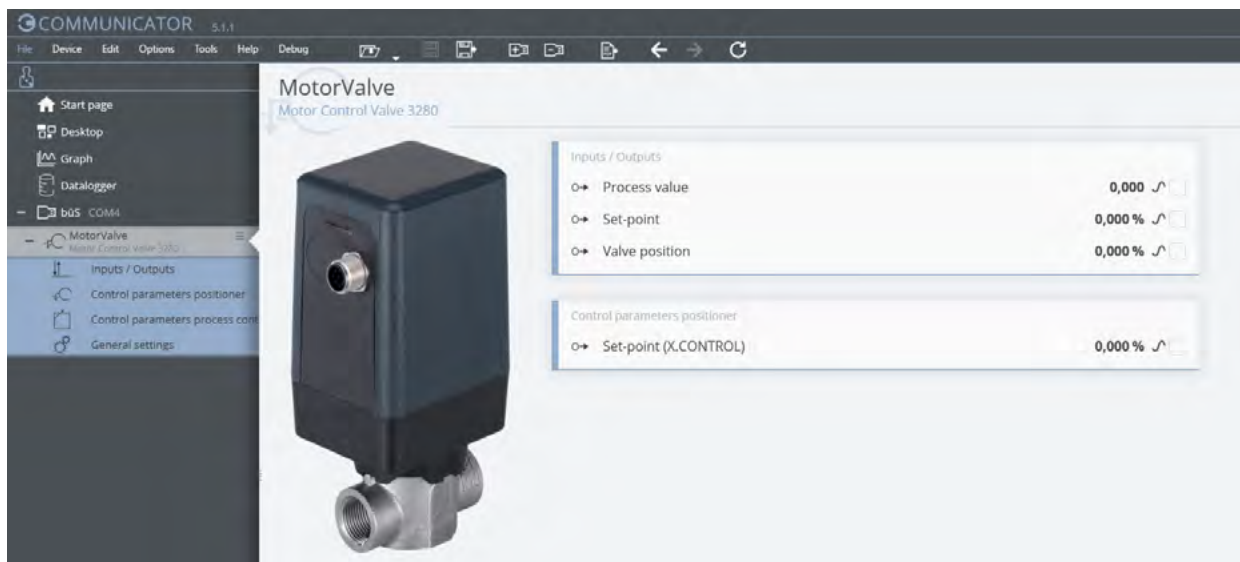
**Note:**

- An adjustment of the valve by the Bürkert Communicator is only possible with the positioner or process controller variants.
- The corresponding communication software can be downloaded from the website [Type 8920](#) ▶.

The Bürkert Communicator is the most important software component of the EDIP (Efficient Device Integration Platform). Various features of this universal tool simplify the configuration and parametrisation of devices equipped with a digital CANopen-based interface. With this tool, the user has a complete overview of cyclic process values as well as acyclic diagnostic data. The integrated graphical programming environment enables the creation of decentralised sub-system control functions. The connection to the PC is established with a USB-CAN adapter. The adapter is available as an accessory (see “9.5. Ordering chart accessories” on page 18).

The Bürkert Communicator enables:

- Configuration, parametrisation and diagnosis of EDIP devices / networks
- Easy and comfortable mapping of cyclic values
- Graphical display of process values
- Firmware update for the connected EDIP devices
- Backup and restoring of device configurations



DTS 1000240084 EN Version: AE Status: RL (released | freigegeben | validé) printed: 07.11.2023




**Connection Type 3280 with Bürkert Communicator software**

The interface to the “Bürkert Communicator” software tool is based on CANopen. A corresponding bus termination is mandatory. For variants with standard signal interfaces, please activate the switchable terminating resistor on the bus stick. For variants with bus/CANopen communication interface, this terminating resistor should not be switched on if the device is already integrated in a properly terminated bus network.

- A bus stick is required to connect the motor valve to the “Bürkert Communicator” software tool. The bus stick sets contain the necessary accessories.
- For variants with bus/CANopen communication interface, the connection is made directly via the 5-pin M12 plug (bus stick set 1 contains the necessary accessories).
- Variants with standard signal interfaces are connected via the 8-pin M12 plug on the device (bus stick set 1 + bus adapter; socket 8-pin M12 to plug 5-pin M12 contain the necessary accessories).

**9. Ordering information**

**9.1. Bürkert eShop**



**Bürkert eShop – Easy ordering and quick delivery**

You want to find your desired Bürkert product or spare part quickly and order directly? Our online shop is available for you 24/7. Sign up and enjoy all the benefits.

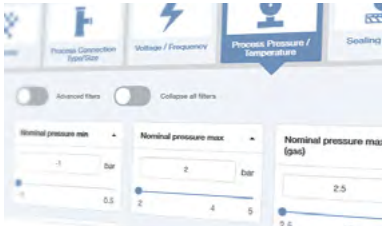
Order online now

**9.2. Recommendation regarding product selection**

**Note:**

- The configuration of the seat size is very important for proportional valves to ensure proper functioning within the application. The seat size must be selected in such a way that on the one hand the desired flow range is achieved and on the other hand a sufficient part of the total pressure drop across the valve takes place when the valve is fully open.
- Reference value: pressure drop of the valve >25 % of the total pressure drop
- Let Bürkert engineers advise you already in the planning phase.

**9.3. Bürkert product filter**



**Bürkert product filter – Get quickly to the right product**

You want to select products comfortably based on your technical requirements? Use the Bürkert product filter and find suitable articles for your application quickly and easily.

Try out our product filter

DTS 1000240084 EN Version: AE Status: RL (released | freigegeben | validé) printed: 07.11.2023

### 9.4. Bürkert Product Enquiry Form

**Bürkert Product Enquiry Form – Your enquiry quickly and compactly**

Would you like to make a specific product enquiry based on your technical requirements? Use our Product Enquiry Form for this purpose. There you will find all the relevant information for your Bürkert contact. This will enable us to provide you with the best possible advice.

Fill out the form now

### 9.5. Ordering chart accessories

#### Standard accessories

Description	Article no.
Power supply unit Phoenix Class2 (Type 1573), 85...240 V AC/24 V DC, 1.25 A, NEC Class 2 (UL 1310)	772438
Power supply unit for standard rail (Type 1573), 100...240 V AC/24 V DC, 1 A, NEC Class 2 (UL 1310)	772361
Power supply unit for standard rail (Type 1573), 100...240 V AC/24 V DC, 2 A, NEC Class 2 (UL 1310)	772362
Power supply unit for standard rail (Type 1573), 100...240 V AC/24 V DC, 4 A	772363
Buffer module (Type 1573) for safety position when power failure	773440

#### Accessories cable

Description	Article no.
M12 circular socket with cable, 8-pin, cable length: 2 m, ready-made cable for input and output signals (for analogue variant)	919061
M12 circular female connector with cable, 8-pin, cable length: 2 m, ready-made shielded cable for input and output signals (for analogue variant)	918991
M12 cable shielded, 5-pin, cable length: 2 m, ready-made shielded cable for actual process value input signals (only for variant with analogue/digital process controller)	559177

#### Bürkert accessories

**Note:**

- For connection to a bÜS/CANopen network, see **cabling guide** ▶. Detailed accessory tables can be found in the wiring guide
- Can only be used with positioner and process controller variant.

Description	Article no.
Software Bürkert Communicator	<b>Type 8920 ▶</b>
bÜS adapter, M12 socket, 8-pin to M12 plug, 5-pin (for bÜS stick connection)	773286
USB bÜS interface set 1 (Type 8923) for connection to the Bürkert Communicator software: including connection cable (M12 and micro USB), stick with integrated terminating resistor, power supply and software	772426
USB bÜS interface set 2 (Type 8923) for connection to the Bürkert Communicator software: including bÜS stick, connection cable to M12 plug, M12 connection cable on micro USB for the bÜS service interface and Y distributor, cable length: 0.7 m	772551

DTS 1000240084 EN Version: AE Status: RL (released | freigegeben | validé) printed: 07.11.2023