

BX20 Handheld Thermography Camera



HIKMICRO BX20 is certified to measure temperature in many explosive environments to quickly find invisible faults. It's equipped with a 256 × 192 resolution thermal detector and 2 MP visual camera. The temperature ranges from -20°C to 550°C (-4°F to 1022°F), which meets the most situation. It helps the staff to quickly find the fault according to accurate temperature measurements of high-temperature targets in the environment. Meanwhile, it provides assistance in the decision and ensures safety.

Key Feature

- ATEX: II 3 G Ex ic IIC T6 Gc, II 3 D Ex ic IIIC T85°C Dc
- IECEx: Ex ic IIC T6 Gc, Ex ic IIIC T85°C Dc
- Thermal resolution: 256 × 192 (49,152 pixels)
- Temperature measurement range : -20°C to 550°C (-4°F to 1022°F)
- 25 Hz image frequency
- 3.2" LCD screen display
- Up to 6 hours continuous running

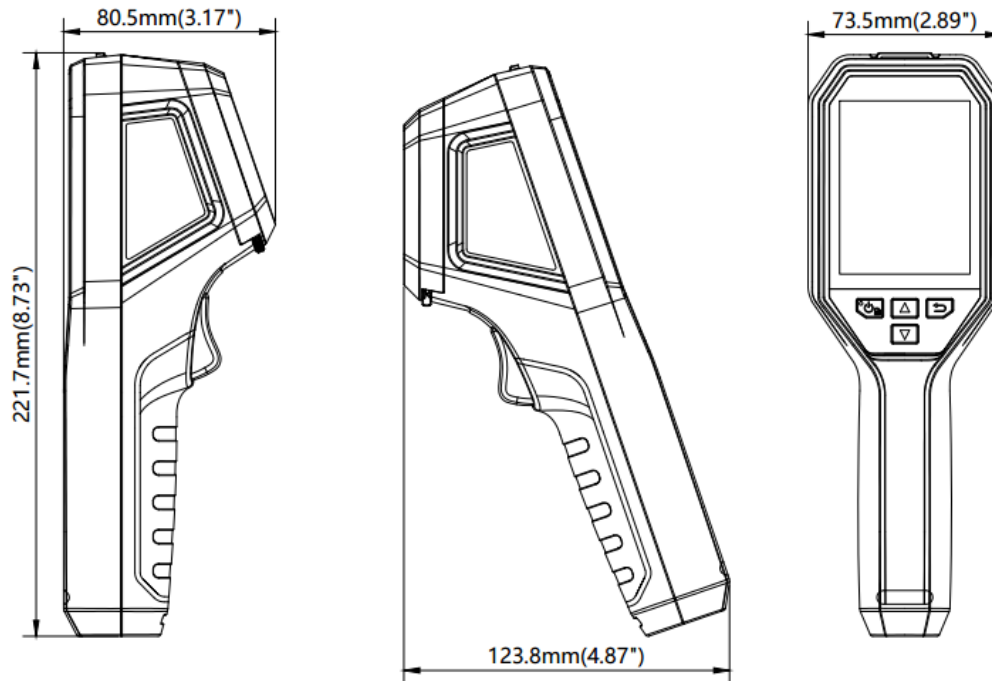
▪ Specification

| Infrared Image | |
|--------------------------------|---|
| IR Resolution | 256 × 192 (49,152 pixels) |
| NETD | < 40 mK (@ 25 °C, F#=1.0) |
| Image Frequency | 25 Hz |
| Detector Pitch | 12 μm |
| Spectral Range | 7.5 to 14 μm |
| Focal Length | 3.6 mm |
| F-number | F1.0 |
| Field of View (FOV) | 37.2° × 50.0° |
| Spatial Resolution (IFOV) | 3.3 mrad |
| Min. Focus Distance | 0.3 m (0.98 ft) |
| Focus Mode | Focus Free |
| Image Display | |
| Visual Camera | 1600 × 1200 (2 MP) |
| Display | 240 × 320 Resolution, 3.2" LCD Screen |
| Color Palettes | White Hot, Black Hot, Rainbow, Ironbow |
| Color Alarm | Above alarm |
| Image Modes | Thermal/Visual/Fusion/PIP |
| Measurement and Analysis | |
| Object Temperature Range | -20°C to 550°C (-4°F to 1022°F) |
| Accuracy | Max. (± 2°C/3.6°F, ± 2%), for ambient temperature 15°C to 35°C (59°F to 95°F) and object temperature above 0°C (32°F) |
| Measurement Tools | Center Spot, Hot Spot, Cold Spot User-definable: 3 spots |
| Level and Span Mode | Auto/Manual |
| Data Storage and Communication | |
| Storage Media | Built-in 16 GB flash memory |
| Image Storage Capacity | Approx. 90,000 Images |
| General | |
| LED Light | Yes |
| Battery Type | Rechargeable Li-ion battery |
| USB Interface | USB Type-C |
| Battery Operating Time | Approx. 6 hours |
| ATEX / IECEx Certificate Type | ATEX: II 3 G Ex ic IIC T6 Gc, II 3 D Ex ic IIIC T85°C Dc IECEx: Ex ic IIC T6 Gc, Ex ic IIIC T85°C Dc |
| Battery Charging Time | Approx. 3 hours fully charged |
| Protection Level | IP54 |
| Drop Test Height | 2 m (6.56 ft) |
| Working Temperature Range | -20°C to 50°C (-4°F to 122°F) |
| Storage Temperature Range | -20°C to 60°C (-4°F to 140°F) |
| Relative Humidity | < 95% non-condensing |
| Weight | Approx. 380 g (0.84 lb) |
| Dimension | 221.7 × 73.5 × 123.8mm (8.73 × 2.89 × 4.87 in) |
| Tripod Mounting | UNC ¼"-20 |

▪ Available Model

BX20

▪ Dimension



Unit: mm (inch)




▪ Optional Accessories



HM-B01-POUCH

COMPLIANCE NOTICE: The thermal series products might be subject to export controls in various countries or regions, including without limitation, the United States, European Union, United Kingdom and/or other member countries of the Wassenaar Arrangement. Please consult your professional legal or compliance expert or local government authorities for any necessary export license requirements if you intend to transfer, export, re-export the thermal series products between different countries.



 HIKMICRO Thermography  hikmicro_thermography  HIKMICRO Thermography  HIKMICRO  info@hikmicrotech.com  <http://hikmicrotech.com/en>

© 2023 Hangzhou HIKMICRO Sensing Technology Co., Ltd. All Rights Reserved.
Data subject to change without notice!