

## Data sheet

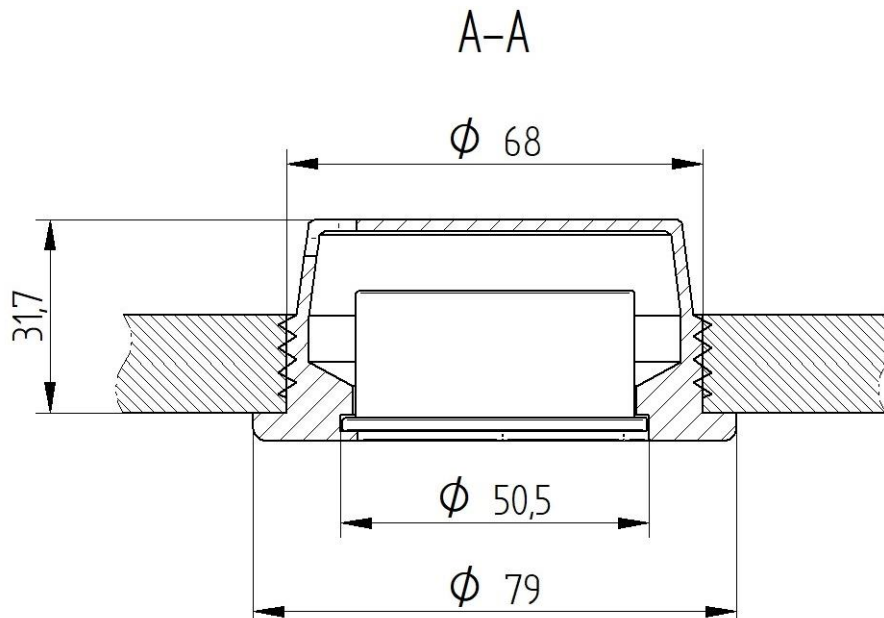
### Article Description

#### Silicone Housing MAXI flat design for LED modules, Type 1000

- silicone housing absolutely rust-free
- easy and quick assembling and disassembling
- weather and sea climate resistant
- heat and cold resistant
- delivery without light source

Installation diameter: 68 mm  
 Installation depth: 31.7 mm  
 Overall dimension: 79 mm  
 Maximum light source depth: 34 mm

### Article Picture



<i>inter BÄR-No.</i>	<i>Colour</i>
1000-605	grey similar RAL 7016
1000-608	white

Technical modifications reserved!  
 Works at 230 V-mains must only be carried out by a specialist!

inter BÄR GmbH + Co.KG, Hälverstraße 43, 58579 Schalksmühle, Germany,  
 phone +49 2355 893-0, [www.interbaer.de](http://www.interbaer.de)