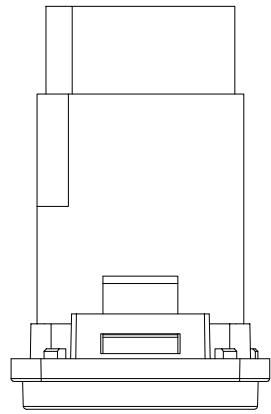
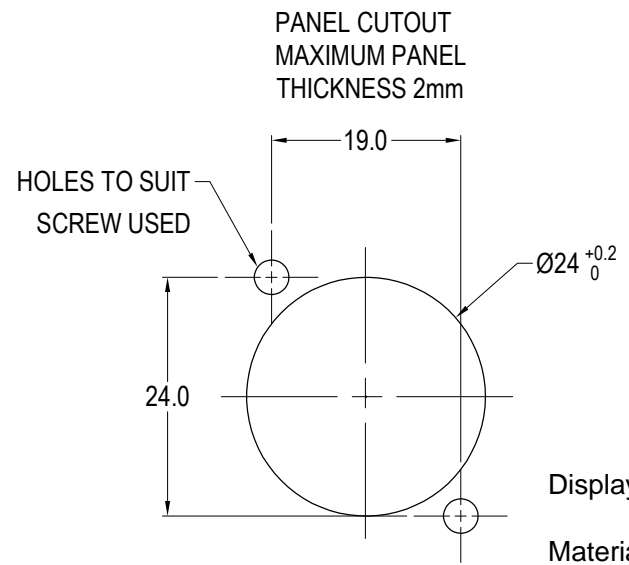


| ISS. | AMEND | DATE |
|------|-----------------|----------|
| 1 | ISSUED | 13/12/23 |
| 2 | M3B P/NO. ERROR | 14/02/24 |

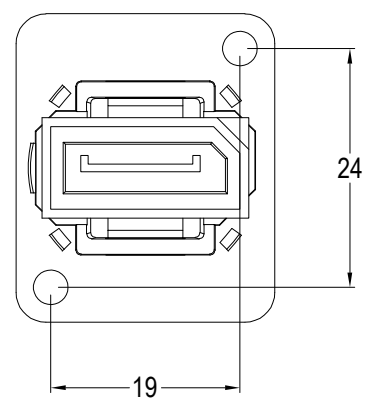
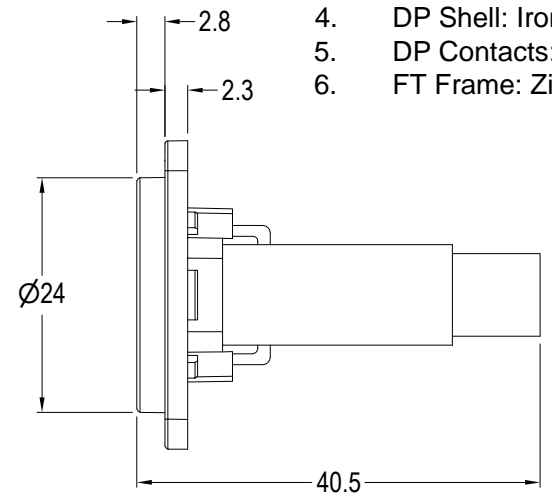
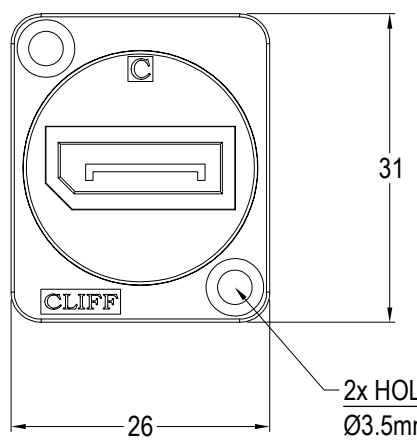


DisplayPort V2.0

| PART NO. | FIXING HOLE DETAILS |
|------------|------------------------------|
| CP30233MB | HOLE Ø3.50 x CSK 82° x Ø5.85 |
| CP30233M3B | M3 HOLES |

Materials:

1. DP Overmould Centre: ABS UL94 V-0 Black
2. DP Overmould Ends: PBT UL94 V-0 Black
3. DP Connector: LCP UL94 V-0 Black
4. DP Shell: Iron Nickel plated
5. DP Contacts: Copper Gold plated
6. FT Frame: Zinc diecast Black plated



2x HOLE VARIANTS
Ø3.5mm CSK 82° x Ø5.85
M3x0.5 THREAD HOLES

RoHS
COMPLIANT

TOLERANCE
NO DEC. PLACE ±
1 DEC. PLACE ±
2 DEC. PLACE ±
HOLE Ø ±
ANGLES ±
UNLESS
OTHERWISE STATED

Cliff Electronic Components Ltd.
76 Holmethorpe Avenue, Holmethorpe Industrial Estate,
Redhill, Surrey, RH1 2PF, England, UK
Tel: 01737-771375 Fax: 01737-766012 Website: www.cliffuk.co.uk

THE CONTENTS OF THIS DOCUMENT MUST NOT BE COPIED OR DISCLOSED TO A 3rd PARTY WITHOUT WRITTEN PERMISSION OF CLIFF UK. © 2023

DIMENSIONS IN MILLIMETERS UNLESS OTHERWISE STATED. WORK TO DIMENSIONS. REMOVE ALL BURRS. IF IN DOUBT ASK.

MATERIAL: SEE NOTES

FINISH: SEE NOTES

DRAWN: T.J.O.

APPROVED: D.P.J.

3rd ANGLE PROJECTION:

TITLE: FT BLACK METAL DISPLAYPORT F-F

DRWG. No. CP30233MB

DO NOT SCALE

FORM: A4DRWGH