

## KN 19, 2 NO, 14.0 ± 3.0 N



### fields of application

- › Measurement-control-regulation
- › Mechanical and system engineering
- › Electro-medical
- › Home technology

### special features

- › Silver contacts for reliable switching (250 V / 6 A)
- › For use beneath closed overlays / keycaps
- › Optional: spot illumination with 1 LED
- › Overall height: 9.7 mm
- › Terminal technology: THT



### description

KN 19 offers the possibility of integrating the mains switch (250 V / 6A) directly into the low-profile data entry system. This means there is no need for extra switches on the device and therefore no additional openings in the overlay. This enables optimal device safety and uniform design. The contact opening widths comply with the VDE guidelines. The KN 19 can also be used under RK 90 keycaps.

### technical data

#### › general

|   |   |
|---|---|
| Operating temperature, min.                                 | -25 °C  |
| Operating temperature, max.                                 | 70 °C   |
| Storage temperature, min.                                   | -40 °C  |
| Storage temperature, max.                                   | 70 °C   |
| illuminated   | Yes   |
| Luminous elements   | LED   |
| Soldering time for manual soldering, max.                   | 3 sec   |
| Soldering temperature for manual soldering                  | 350 °C  |
| Soldering   | Manual / wave   |
| Packaging   | Tube  |
| Packaging unit  | 12 pcs.   |
| net weight  | 9 g   |
| Operating life electrical                                   | 100,000 (6A / 250V AC) cycles<br>50,000 (5A / 50V DC) cycles  |
| B10 electrical  | 130,000 (6A / 250V AC) cycles<br>65,000 (10A / 50V DC) cycles |
| Degree of protection, front side, according to DIN EN 60529 | IP40  |
| MOQ order   | 12 pcs.   |
| RoHS compliant  | Yes   |
| REACH compliant   | Yes   |

#### › mounting diameters

#### direct links

- › [RAFI eCatalog](#)

|                           |                 |
|---------------------------|-----------------|
| Outside dimension, length | 37.8 mm         |
| Outside dimension, width  | 18.8 mm         |
| Outside dimension, height | 9.7 mm          |
| Installation height       | 9.7 mm          |
| Grid, min.                | 19.05 x 38.1 mm |

**> mechanical data**

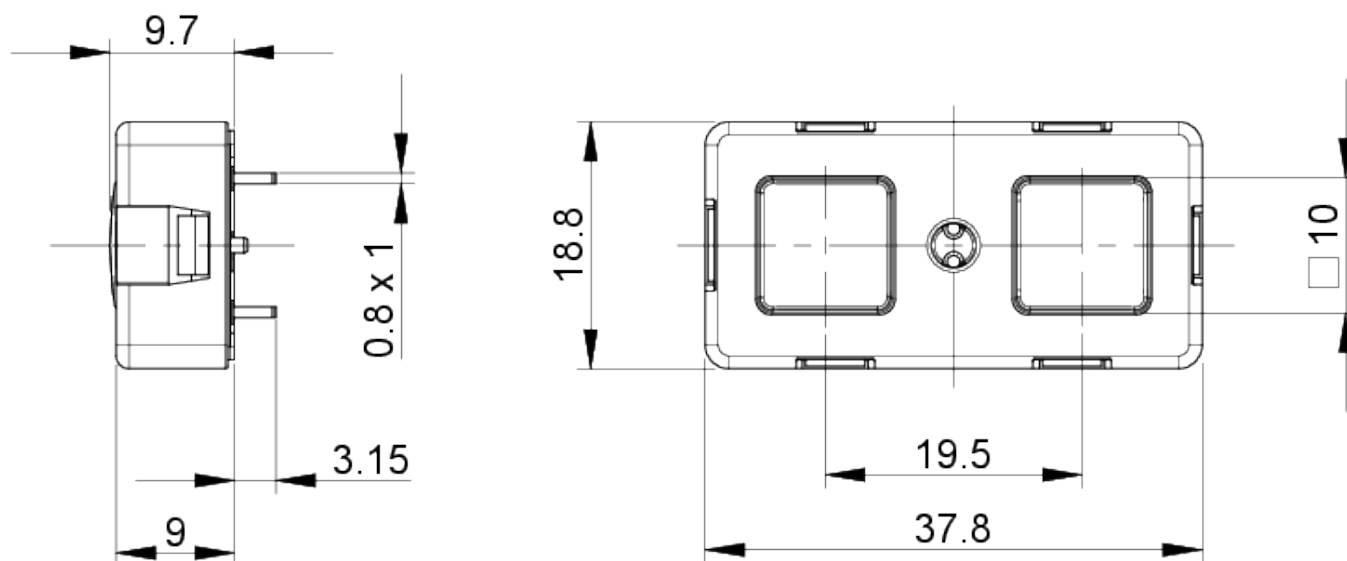
|                        |                            |
|------------------------|----------------------------|
| Actuation function     | latching                   |
| Operating force, max.  | 100 N                      |
| Operating force, min.  | 14 ± 3.0 N                 |
| Switching travel       | 0,55±0,15 mm               |
| Bounce time at 10 mm/s | <10 ms                     |
| Contact function       | 2 NO                       |
| Contact system         | Bridge-snap-action contact |
| Contact material       | Silver                     |
| Fixing                 | Soldering                  |
| Solderability          | Yes                        |
| Terminal on the rear   | THT                        |

**> electrical data**

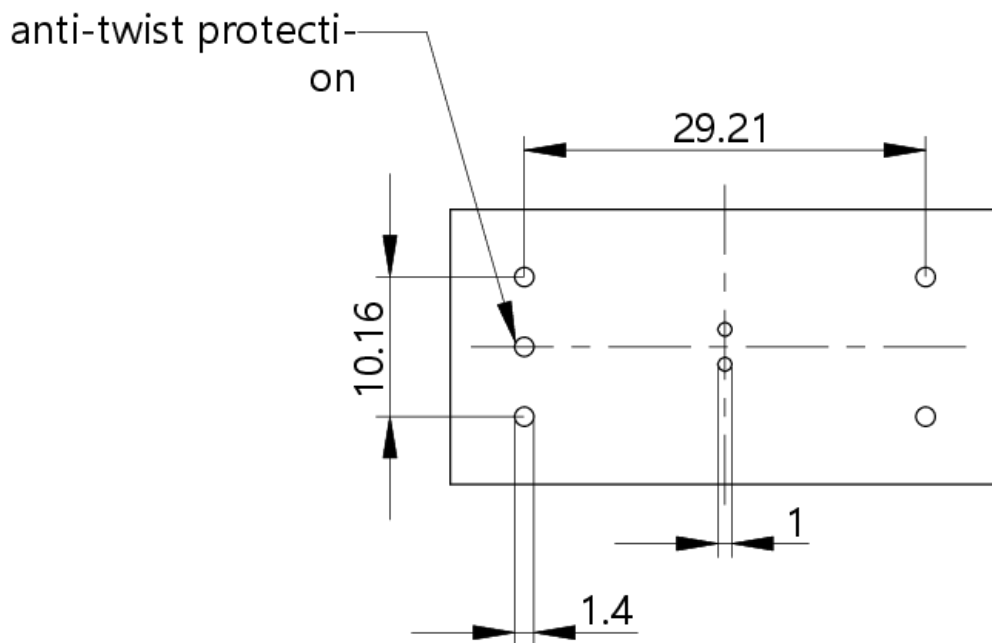
|                      |       |
|----------------------|-------|
| Rated voltage, min.  | 12 V  |
| Rated voltage, max.  | 250 V |
| Rated current, min.  | 0.1 A |
| Rated current, max.  | 6 A   |
| Rated power, max. DC | 250 W |

**drawings**

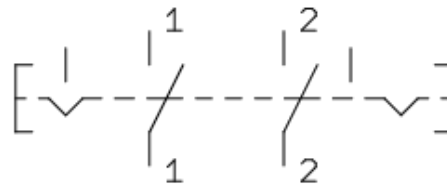
**Dimensioned drawing**



**PCB drawing**



**Schematic diagram**



2 NO