

# RAFIX 22 FS<sup>+</sup>, USB feed-through, round collar, frontring slate gray, USB 2.0 type B



## fields of application

- › Measurement-control-regulation
- › Electrical engineering
- › Mechanical and system engineering
- › Vehicle construction
- › Handheld terminals
- › Industrial robots

## special features

- › USB feed-through e.g. through front panels
- › USB 2.0 type A at the front, USB 2.0 type B at the back
- › Sealing cap for protection class IP 65 front side



## description

The USB feed-through guarantees a stable installation of an easily-accessible USB slot in the front panels of control units and IPCs. Items that can be inserted into this slot include service keyboards or USB sticks in order to perform software updates. Commercially available USB cables of various lengths with type-B plugs can be used for the connection on the rear.

The slot is protected by a sealing cap and this cap ensures IP 65 degree of protection. The feed-through is simply installed by inserting it through the assembly hole from the front and then using a threaded ring on the rear side to fix it into place. The mounting depth is 27.7 mm. The customer can freely choose the front ring color of the USB feed-through so that it matches the design requirements.

USB 2.0

Terminal: USB type A on the front, USB type B on the rear

## technical data

### › general

Front ring color	slate gray
Collar shape	round
Operating temperature, min.	-25 °C
Operating temperature, max.	70 °C
Storage temperature, min.	-40 °C
Storage temperature, max.	80 °C
illuminated	No
Packaging	Box
Packaging unit	2 pcs.
net weight	17.1 g
Operating life	1,500 cycles
Degree of protection, front side, according to DIN EN 60529	IP65
UL Enclosure Type Rating front side	type 1 type 4X indoor
MOQ order	10 pcs.

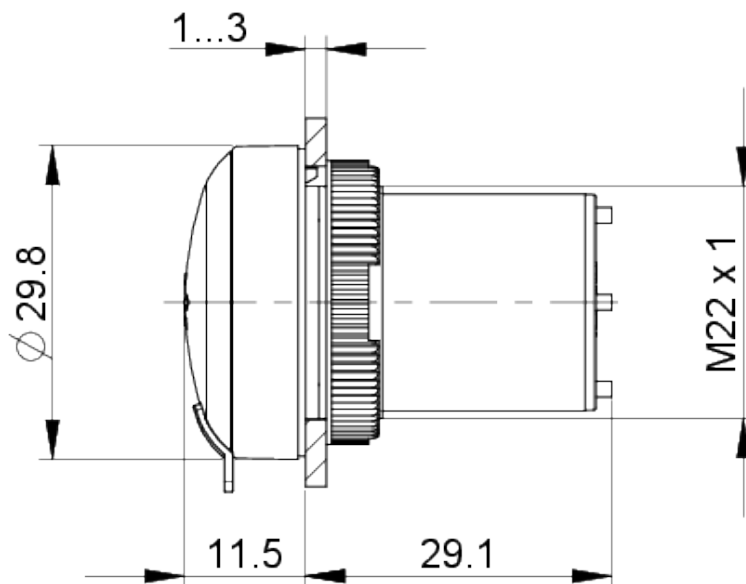
### direct links

- › [RAFI eCatalog](#)

RoHS compliant	Yes
REACH compliant	Yes
<b>&gt; mounting diameters</b>	
Outside dimension, length	29.8 mm
Outside dimension, width	29.8 mm
Outside dimension, height	40.6 mm
Mounting hole	22.3 mm
Installation height	11.5 mm
<b>&gt; mechanical data</b>	
Fixing	Threaded ring
Threaded ring torque, max.	1.2 Nm
Front side terminal	USB 2.0 type A
Terminal on the rear	USB 2.0 type B

**drawings**

**Dimensioned drawing**



**System drawing**



**System drawing**



**Mounting hole drawing**



acc. to IEC 60947-5-1

front panel drawing

