

## RAFIX 16, potentiometer-type drive, round collar



### fields of application

- > Measurement-control-regulation
- > Electrical engineering
- > Mechanical and system engineering
- > Industrial robots



### description

To operate potentiometers with a shaft diameter of 6 mm. Suitable for potentiometers to DIN 41 450 with a shaft length of 32 mm. Potentiometer not included.

Potentiometer drive, available in three collar shapes to match the design of the RAFIX 16 actuators.

### technical data

#### > general

Collar shape	round
Operating temperature, min.	-25 °C
Operating temperature, max.	70 °C
Storage temperature, min.	-40 °C
Storage temperature, max.	85 °C
illuminated	No
Packaging	Box
Packaging unit	2 pcs.
net weight	11.3 g
Degree of protection, front side, according to DIN EN 60529	IP65
Environment resistance	IEC 60068-2-14 IEC 60068-2-30 IEC 60068-2-33 IEC 60068-2-78
MOQ order	10 pcs.
RoHS compliant	Yes
REACH compliant	Yes

#### direct links

- > [RAFI eCatalog](#)

#### > mounting diameters

Outside dimension, length	24.95 mm
Outside dimension, width	24.95 mm
Outside dimension, height	42.85 mm
Mounting hole	16.2 mm
Mounting depth	19.2 mm
Installation height	23.65 mm

Grid, min. 25 x 25 mm

Collar dimension  $\varnothing$  24,95 mm

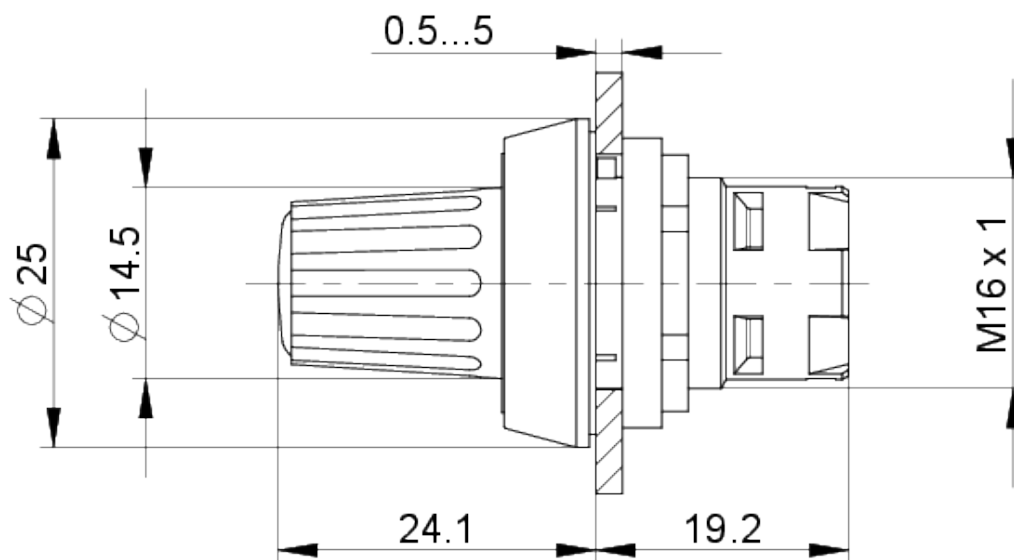
> **mechanical data**

Fixing Threaded ring

Threaded ring torque, max. 1.2 Nm

**drawings**

**Dimensioned drawing**



**Mounting hole drawing**

