

Signal lamp with integrated LED, 5 mm, protruding round bezel, 28 Volt, bezel green, Solder terminal



fields of application

- > Measurement-control-regulation
- > Electrical engineering
- > Mechanical and system engineering
- > Signalling systems
- > Model construction



description

Signal lamps with integrated LED, mounting hole diameter 5 mm

technical data

> general

| | |
|---|-------------|
| Bezel color | green |
| Property of bezel / mushroom | transparent |
| Bezel shape | round |
| illuminated | Yes |
| Packaging unit | 10 pcs. |
| net weight | 0.5 g |
| Degree of protection, front side, according to DIN EN 60529 | IP40 |
| MOQ order | 10 pcs. |
| RoHS compliant | Yes |
| REACH compliant | Yes |

direct links

- > [RAFI eCatalog](#)

> mounting diameters

| | |
|---------------------------|---------|
| Outside dimension, length | 5.9 mm |
| Outside dimension, width | 5.9 mm |
| Outside dimension, height | 21.8 mm |
| Mounting hole | 5 mm |
| Mounting depth | 18 mm |
| Installation height | 3.5 mm |
| Collar dimension | 5.9 mm |

> mechanical data

The information in this data sheet only contains general descriptions and / or performance features, which may not apply precisely as described to the respective application, and which may change due to further product enhancements. The technical data, illustrations and other information about our products are the mere results of individual technical testing. These descriptions and other product features are only binding if they expressly agreed upon at the time of the conclusion of a binding contract. In all other cases, we reserve the right to make technical changes as well as changes of availability. Pictures and other graphic illustrations are approximations only. All product names may be trademarks or brand names of the RAFI Group or any other sub-supplier of RAFI. The use of such by any third parties for their own purposes may infringe the rights of the respective entity holding those rights.

date: Feb 28, 2024 page: 1/3

RAFI GmbH & Co. KG

Ravensburger Str. 128-134
88276 Berg / Ravensburg
Germany
www.rafi-group.com,
info.headquarters@rafi-group.com

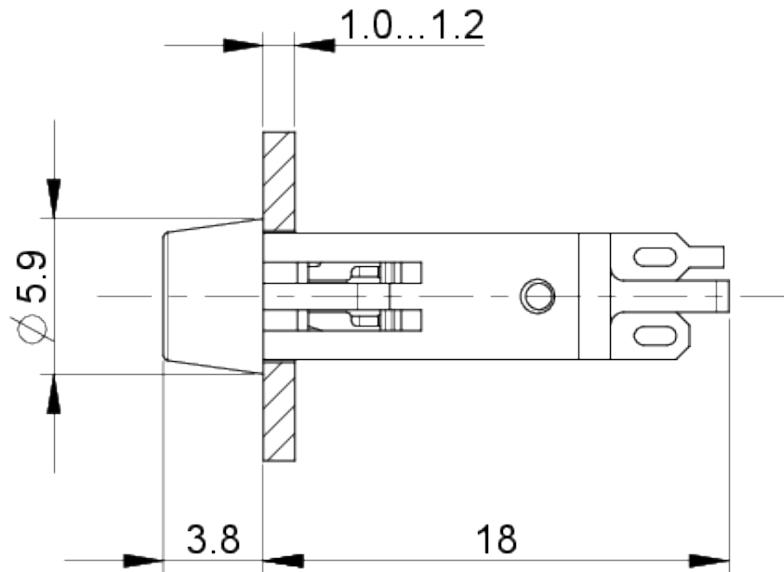
| | |
|----------------------|----------------------------|
| Fixing | Pushing into mounting hole |
| Solderability | Yes |
| Terminal on the rear | Solder terminal |

> electrical data

| | |
|---|------|
| Operating voltage of the luminous element, min. | 24 V |
| Operating voltage of the luminous element, max. | 28 V |
| Voltage type | DC |

drawings

Dimensioned drawing



Mounting hole drawing

