

# Signal lamp with integrated LED, 5 mm, protruding round bezel, 28 Volt, bezel yellow, Solder terminal



## fields of application

- > Measurement-control-regulation
- > Electrical engineering
- > Mechanical and system engineering
- > Signalling systems
- > Model construction

## description

Signal lamps with integrated LED, mounting hole diameter 5 mm

## technical data

### > general

Bezel color	yellow
Property of bezel / mushroom	transparent
Bezel shape	round
illuminated	Yes
Packaging unit	10 pcs.
net weight	0.5 g
Degree of protection, front side, according to DIN EN 60529	IP40
MOQ order	10 pcs.
RoHS compliant	Yes
REACH compliant	Yes

### direct links

- > [RAFI eCatalog](#)

### > mounting diameters

Outside dimension, length	5.9 mm
Outside dimension, width	5.9 mm
Outside dimension, height	21.8 mm
Mounting hole	5 mm
Mounting depth	18 mm
Installation height	3.5 mm
Collar dimension	5.9 mm

### > mechanical data

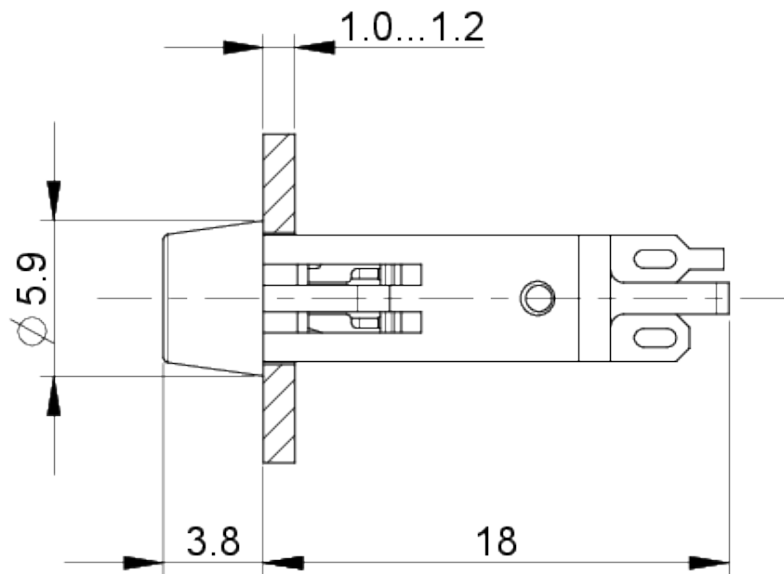
Fixing	Pushing into mounting hole
Solderability	Yes
Terminal on the rear	Solder terminal

### > electrical data

Operating voltage of the luminous element, min.	24 V
Operating voltage of the luminous element, max.	28 V
Voltage type	DC

**drawings**

**Dimensioned drawing**



**Mounting hole drawing**

