

Signal lamp with integrated LED, 5 mm, flat triangular bezel, 28 Volt, bezel red, Solder terminal



fields of application

- > Measurement-control-regulation
- > Electrical engineering
- > Mechanical and system engineering
- > Signalling systems
- > Model construction

description

Signal lamps with integrated LED, mounting hole diameter 5 mm

technical data

> general

Bezel color	red
Property of bezel / mushroom	transparent
Bezel shape	triangular
illuminated	Yes
Packaging unit	10 pcs.
net weight	0.5 g
Degree of protection, front side, according to DIN EN 60529	IP40
MOQ order	10 pcs.
RoHS compliant	Yes
REACH compliant	Yes

direct links

- > [RAFI eCatalog](#)

> mounting diameters

Outside dimension, length	7.9 mm
Outside dimension, width	7.9 mm
Outside dimension, height	22 mm
Mounting hole	5 mm
Mounting depth	21 mm
Installation height	1 mm
Collar dimension	7.9 mm

> mechanical data

Fixing	Pushing into mounting hole
--------	----------------------------

Solderability	Yes
Terminal on the rear	Solder terminal

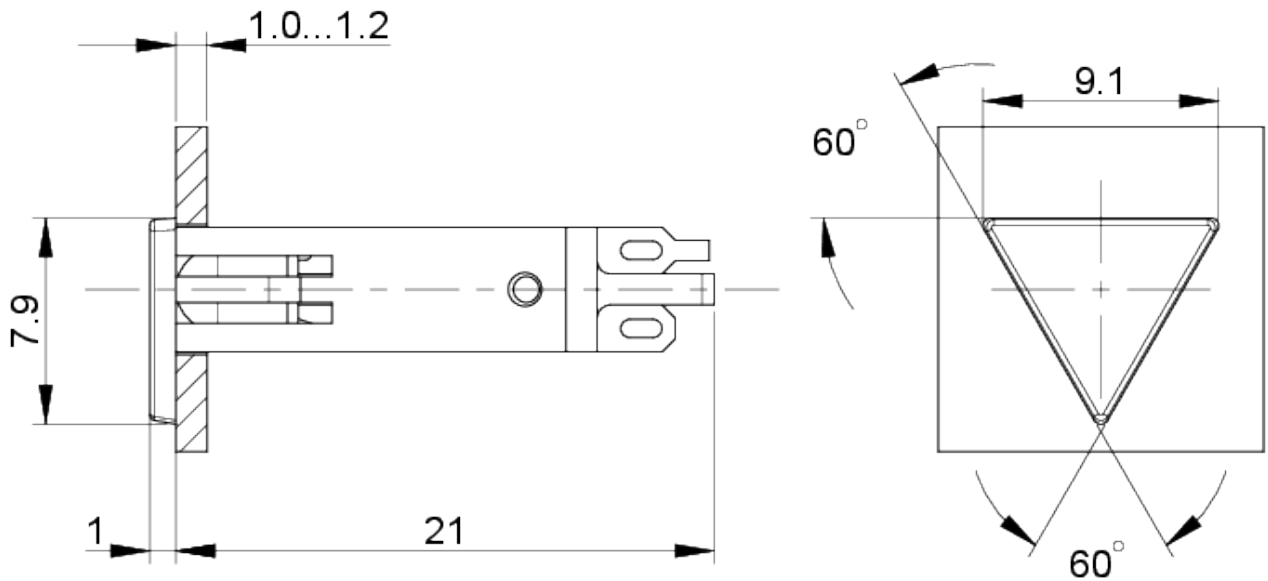
> electrical data

Operating voltage of the luminous element, min.	24 V
---	------

Operating voltage of the luminous element, max.	28 V
---	------

drawings

Dimensioned drawing



Mounting hole drawing

