

RAFIX 22 FS⁺, signal lamp multicolor, round collar, lamp red / green, bezel white, Flat quick-connect terminal 2.8 x 0.8



fields of application

- › Measurement-control-regulation
- › Electrical engineering
- › Mechanical and system engineering
- › Signalling systems
- › Vehicle construction
- › Handheld terminals
- › Industrial robots

special features

- › Light attachment with display white (unlit) / red / green
- › Three signal states can be displayed with one lamp
- › Plug-in connection (QC) with integrated reverse polarity protection
- › Degree of protection: IP 65 at the front



description

Separate 2.8 x 0.8 mm plug-in connections and integrated reverse polarity protection allow three signal states to be displayed in one lamp: white unlit, red lit and green lit.

technical data

> general

Bezel color	white
Property of bezel / mushroom	translucent
Collar color	dark gray
Luminous element color	red / green
Collar shape	round
Operating temperature, min.	-25 °C
Operating temperature, max.	60 °C
Storage temperature, min.	-40 °C
Storage temperature, max.	80 °C
illuminated	Yes
Packaging	Box
Packaging unit	10 pcs.
net weight	13.5 g
UL Enclosure Type Rating front	type 1
side	type 4X indoor
MOQ order	20 pcs.
RoHS compliant	Yes
REACH compliant	Yes

> mounting diameters

Outside dimension, length	29.8 mm
Outside dimension, width	29.8 mm

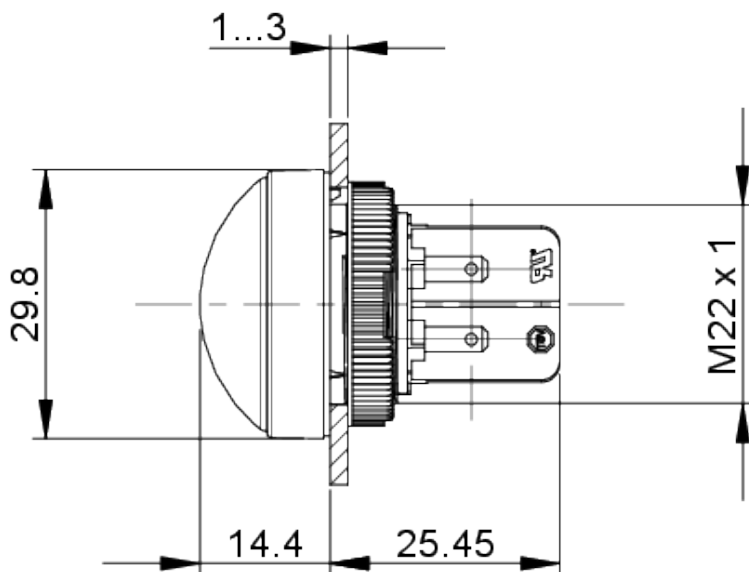
direct links

- › [RAFI eCatalog](#)

Outside dimension, height	39.85 mm
Mounting hole	22.3 mm
Mounting depth	25.45 mm
Installation height	14.4 mm
Grid, min.	30 mm
> mechanical data	
Fixing	Threaded ring
Solderability	No
Terminal on the rear	Flat quick-connect terminal 2.8 x 0.8
> electrical data	
Operating voltage of the luminous element, min.	8 V
Operating voltage of the luminous element, max.	30 V
Voltage type	DC
Rated operating voltage	8-30 V
Power loss	0.39 W

drawings

Dimensioned drawing



System drawing



System drawing

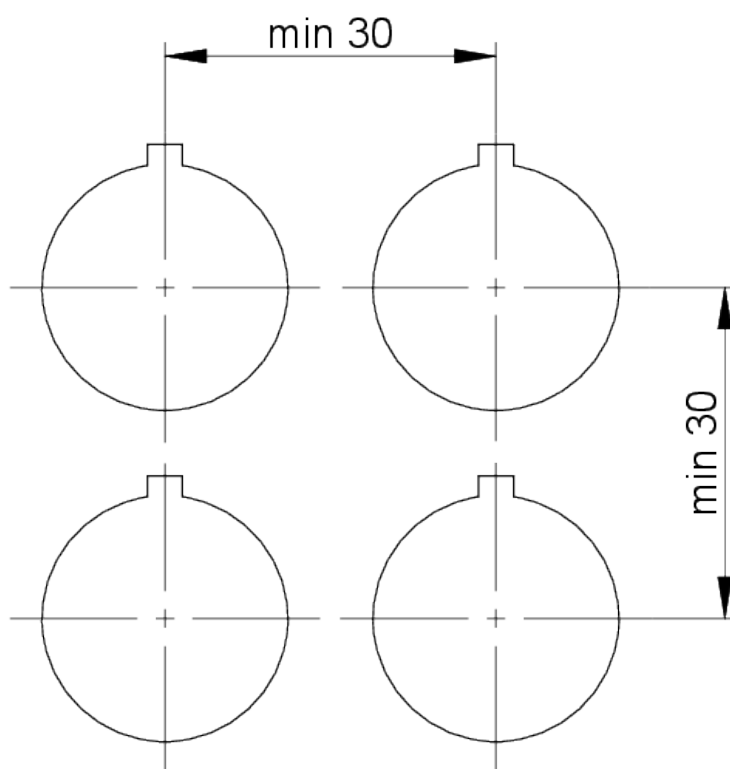


Mounting hole drawing

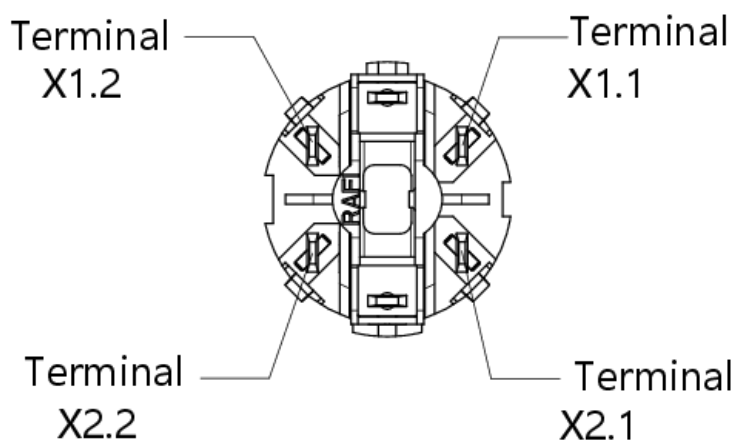


acc. to IEC 60947-5-1

front panel drawing



Connection drawing



X1.1 + X2.1 green

X1.2 + X2.2 red