

## RAFIX 22 FSR, signal lamp, round collar, lamp red / green, bezel white, Flat quick-connect terminal 2.8 x 0.8



### fields of application

- › Measurement-control-regulation
- › Electrical engineering
- › Mechanical and system engineering
- › Signalling systems
- › Agricultural and forestry machinery
- › Construction machinery
- › Industrial robots

### special features

- › Light attachment with display white (unlit) / red / green
- › Three signal states can be displayed with one lamp
- › Plug-in connection (QC) with integrated reverse polarity protection
- › Degree of protection: IP 65 at the front



### description

RAFIX control devices are defined at RAFI as modular elements, consisting of an actuating element, if necessary a coupling and an individual contact or lighting unit.

Actuating elements (such as pushbuttons, emergency stop actuators, etc.) have the intended tactility, reset and function only when assembled with the appropriate switching elements.

Separate 2.8 x 0.8 mm plug-in connections and integrated reverse polarity protection allow three signaling states to be displayed in one lamp. This means that only one signal lamp is required where previously three were needed.

- › Illumination LED red / LED green
- › Operating voltage min. 8 ... max. 30 V DC -
- › Integrated reverse polarity protection

### technical data

#### › general

|                              |                 |
|------------------------------|-----------------|
| Bezel color                  | white           |
| Property of bezel / mushroom | translucent     |
| Collar color                 | stainless steel |
| Luminous element color       | red / green     |
| Collar shape                 | round           |
| Operating temperature, min.  | -25 °C          |
| Operating temperature, max.  | 60 °C           |
| Storage temperature, min.    | -40 °C          |
| Storage temperature, max.    | 80 °C           |
| illuminated                  | Yes             |

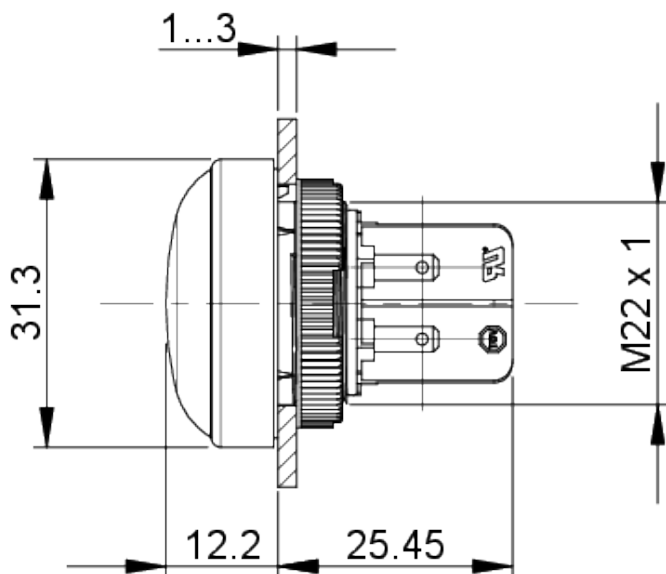
#### direct links

- › [RAFI eCatalog](#)

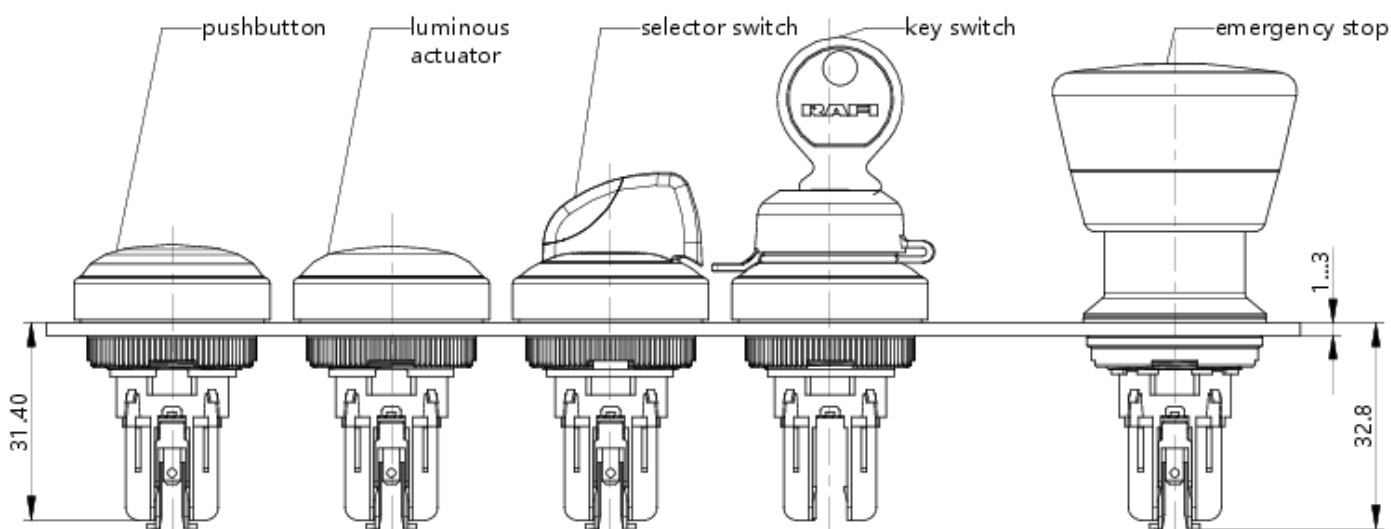
|  |                                       |
|--|---------------------------------------|
| Packaging  | Box                                   |
| Packaging unit   | 10 pcs.                               |
| net weight   | 10.5 g                                |
| Degree of protection, front side,<br>according to DIN EN 60529 | IP65<br>IP67<br>IP69                  |
| UL Enclosure Type Rating front<br>side                         | type 1<br>type 4X indoor              |
| MOQ order  | 10 pcs.                               |
| RoHS compliant   | Yes                                   |
| REACH compliant  | Yes                                   |
| <b>&gt; mounting diameters</b>                                 |                                       |
| Outside dimension, length                                      | 31.3 mm                               |
| Outside dimension, width                                       | 31.3 mm                               |
| Outside dimension, height                                      | 37.65 mm                              |
| Mounting hole  | 22.3 mm                               |
| Mounting depth   | 25.45 mm                              |
| Installation height  | 12.2 mm                               |
| <b>&gt; mechanical data</b>                                    |                                       |
| Solderability  | No                                    |
| Terminal on the rear   | Flat quick-connect terminal 2.8 x 0.8 |
| <b>&gt; electrical data</b>                                    |                                       |
| Operating voltage of the luminous<br>element, min.             | 8 V                                   |
| Operating voltage of the luminous<br>element, max.             | 30 V                                  |
| Voltage type   | DC                                    |
| Rated operating voltage  | 8-30 V                                |
| Power loss   | 0.39 W                                |

**drawings**

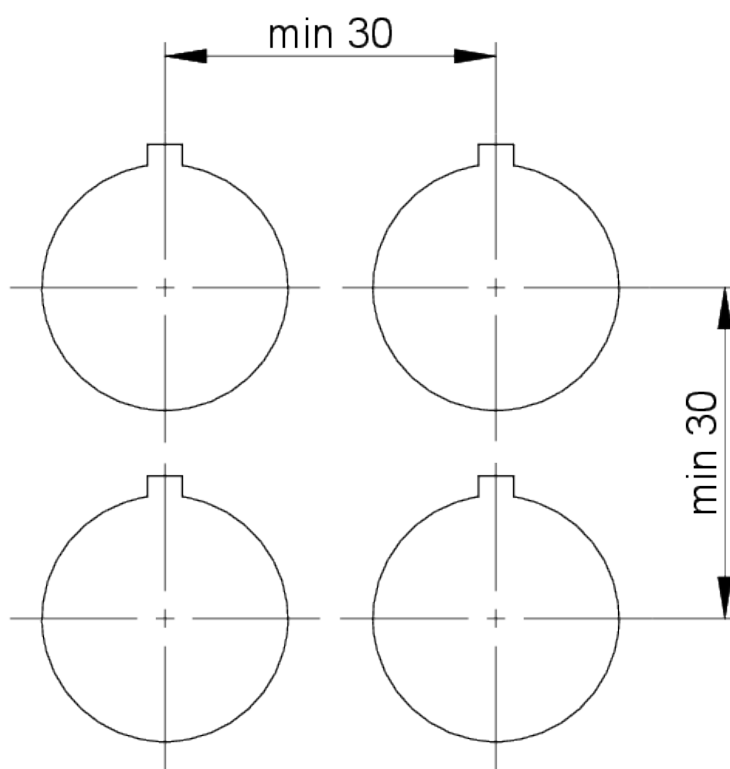
**Dimensioned drawing**



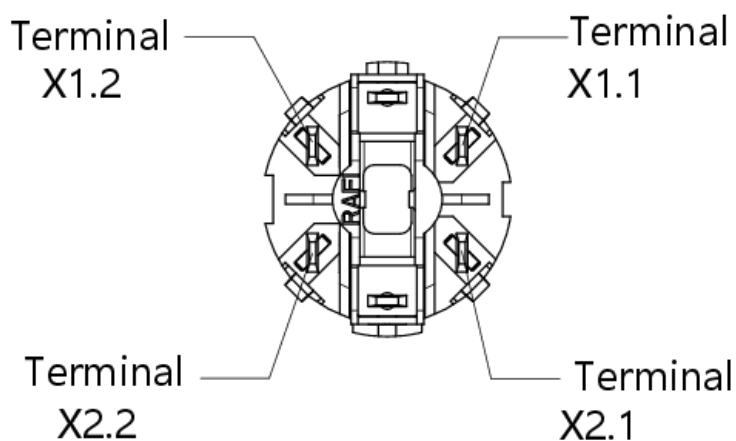
**System drawing**



front panel drawing



Connection drawing



X1.1 + X2.1 green

X1.2 + X2.2 red