

MICON 5, round plunger 14.5 mm, GH 5.55 mm



fields of application

- › Measurement-control-regulation
- › Mechanical and system engineering
- › Automotive
- › Signalling systems
- › Vehicle construction
- › Handheld terminals

description

The wide selection of standard plungers in different shapes and colors guarantees a versatile range of applications for the MICON 5 tactile switch.

technical data

› general

Color	white
Collar shape	round
illuminated	No
Packaging unit	500 pcs.
net weight	0.3 g
MOQ order	500 pcs.
RoHS compliant	Yes
REACH compliant	Yes
Component material	Plastic

› mounting diameters

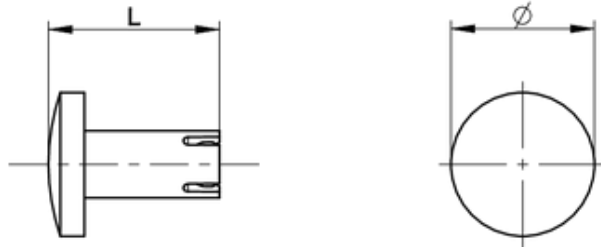
Outside dimension, length	3 mm
Outside dimension, width	14.5 mm
Outside dimension, height	14.5 mm
Plunger length L	3 mm
Support height A	2.55 (SMT) / 2.5 (THT) mm
Total height GH	5.55 mm

direct links

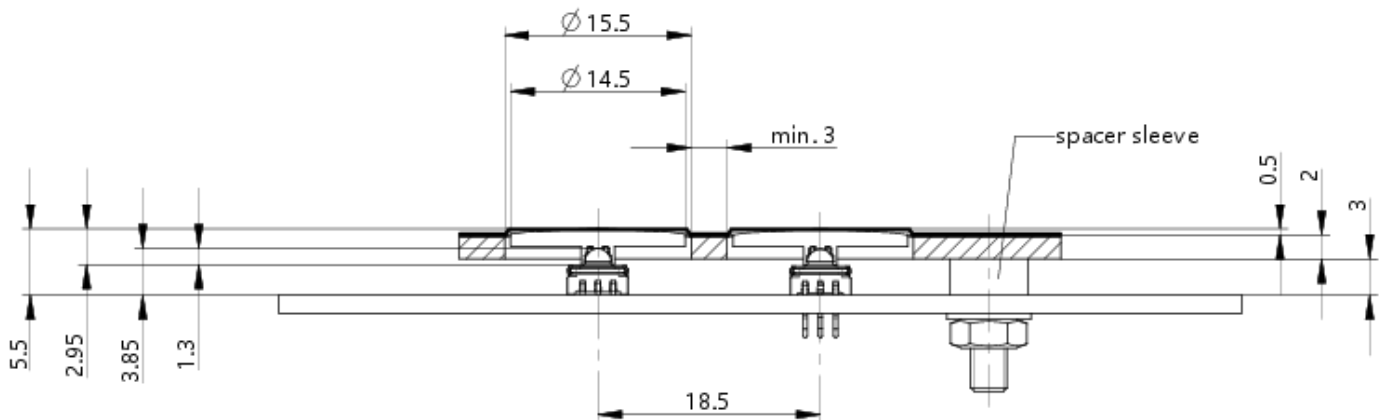
- › [RAFI eCatalog](#)

drawings

Dimensioned drawing

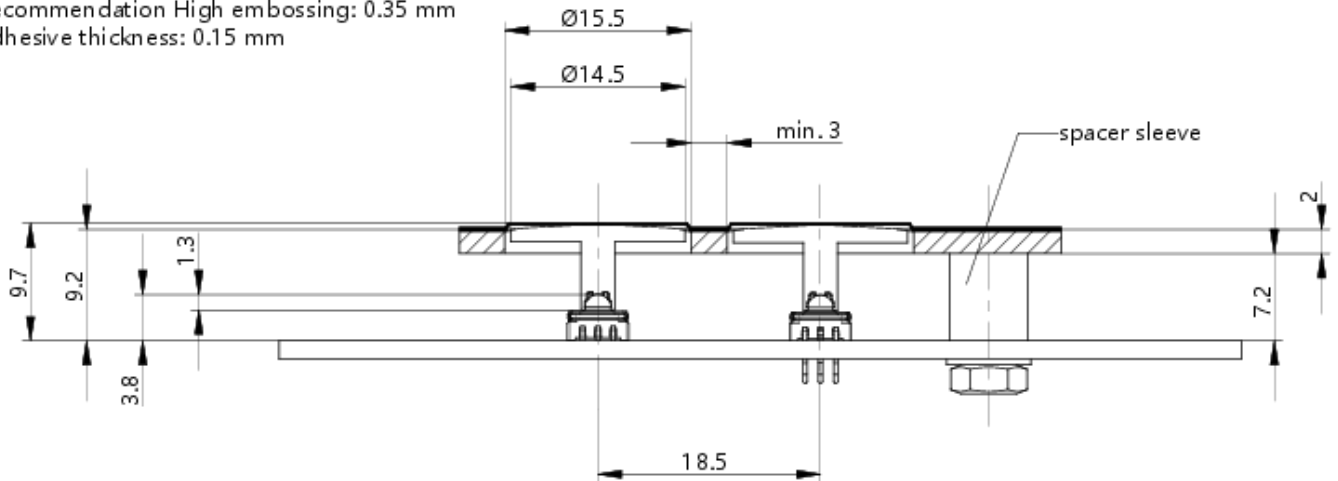


System drawing



System drawing

Recommendation High embossing: 0.35 mm
Adhesive thickness: 0.15 mm



System drawing

suggestion
high embossing: 0.35 mm
adhesive thickness: 0.15

