

sygonix®

Ⓜ Installation Instructions

Smart Bluetooth Door Lock

Item no: 3060830

CE

GB Table of Contents

1	Introduction	3
2	Product documentation	3
3	Intended use	3
4	Delivery contents	4
5	Description of symbols	4
6	Safety instructions	5
6.1	General	5
6.2	Handling	5
6.3	Operating environment	5
6.4	Operation	5
6.5	Battery	6
6.6	Installation	6
7	Product overview	7
7.1	Door lock	7
8	Installation	9
8.1	Product dimensions	9
8.2	Installing the door lock	10
9	Declaration of Conformity (DOC)	13
10	Disposal	13
10.1	Product	13
10.2	(Rechargeable) batteries	14
11	Technical data	14

1 Introduction

Thank you for purchasing this product.

If there are any technical questions, please contact:

www.conrad.com/contact

2 Product documentation



The product is documented by different sets of instructions:

- Installation instructions
- Operating instructions (for download only)

Use the link www.conrad.com/downloads (alternatively scan the QR code) to download the instructions (or new/current versions if available). Follow the instructions on the web page.

3 Intended use

The product is a Bluetooth door lock. The product supports the following authentication methods:

- Mobile device via Bluetooth
- Passwords (PIN)
- RFID Smart key cards
- Passage mode (the door is always open)

After a user authenticates via an authentication method, the door lock automatically locks again after a few seconds.

The administrator of the door lock is able to add and remove users and assign administrative rights to users.

The door lock is configured and managed via the mobile app Tuya Smart Life/ Smart Living.

The product is dust-protected according to IP5X.

The product is intended for indoor use only. Do not use it outdoors.

Contact with moisture must be avoided under all circumstances.

If you use the product for purposes other than those described, the product may be damaged.

Improper use can result in short circuits, fires, or other hazards.

The product complies with the statutory national and European requirements.

For safety and approval purposes, you must not rebuild and/or modify the product.

Read the installation instructions carefully and store them in a safe place. Make this product available to third parties only together with the installation instructions.

All company names and product names are trademarks of their respective owners. All rights reserved.

USB4®, USB Type-C® and USB-C® are registered trademarks of USB Implementers Forum.

4 Delivery contents

- Door lock
- CR123A battery
- Reset card
- Cross-head screw driver
- 2x Smart key cards
- 2x Manual keys
- 2x Suction cups
- 2x Hex wrenches
- Installation instructions
- Operating instructions (download)

5 Description of symbols

The following symbols are on the product/appliance or are used in the text:



The symbol warns of hazards that can lead to personal injury.

6 Safety instructions



Read the installation instructions carefully and especially observe the safety information. If you do not follow the safety instructions and information on proper handling, we assume no liability for any resulting personal injury or damage to property. Such cases will invalidate the warranty/guarantee.

6.1 General

- The product is not a toy. Keep it out of the reach of children and pets.
- Do not leave packaging material lying around carelessly. This may become dangerous playing material for children.
- If you have questions which remain unanswered by this information product, contact our technical support service or other technical personnel.
- Maintenance, modifications and repairs must only be completed by a technician or an authorised repair centre.

6.2 Handling

- Handle the product carefully. Jolts, impacts or a fall even from a low height can damage the product.

6.3 Operating environment

- Do not place the product under any mechanical stress.
- Protect the appliance from extreme temperatures, strong jolts, flammable gases, steam and solvents.
- Protect the product from high humidity and moisture.
- Protect the product from direct sunlight.

6.4 Operation

- Consult an expert when in doubt about the operation, safety or connection of the product.

- If it is no longer possible to operate the product safely, take it out of operation and protect it from any accidental use. DO NOT attempt to repair the product yourself. Safe operation can no longer be guaranteed if the product:
 - is visibly damaged,
 - is no longer working properly,
 - has been stored for extended periods in poor ambient conditions or
 - has been subjected to any serious transport-related stresses.

6.5 Battery

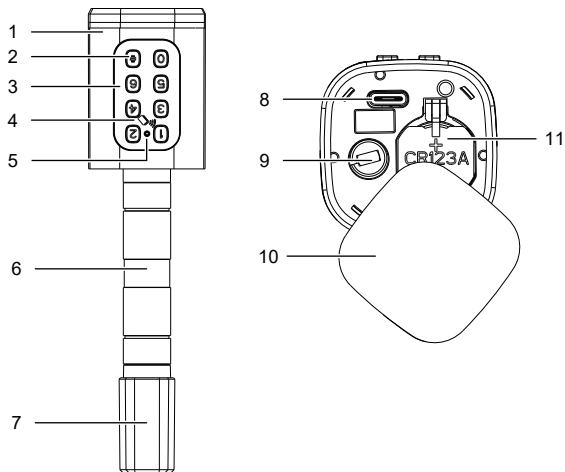
- Correct polarity must be observed while inserting the battery.
- The battery should be removed from the device if it is not used for a long period of time to avoid damage through leaking. Leaking or damaged batteries might cause acid burns when in contact with skin, therefore use suitable protective gloves to handle corrupted batteries.
- Batteries must be kept out of reach of children. Do not leave batteries lying around, as there is risk, that children or pets swallow them.
- Batteries must not be dismantled, short-circuited or thrown into fire. Never recharge non-rechargeable batteries. There is a risk of explosion!

6.6 Installation

- Prevent damaging the door lock during installation. If you do not have the necessary knowledge to install the door lock, ask a professional for help.

7 Product overview

7.1 Door lock

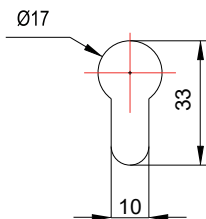
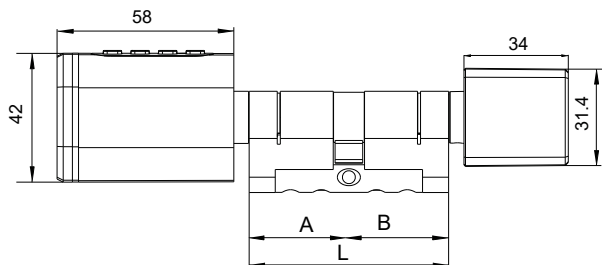


	Component	Description/Notes/Action
1	Outer door handle	
2	Password confirmation key	After you enter a password/PIN, press the key to confirm your entry and unlock the door.
3	Keypad	Enter passwords/PINs.
4	RFID smart card reader	Place smart key cards onto the reader to unlock the door.

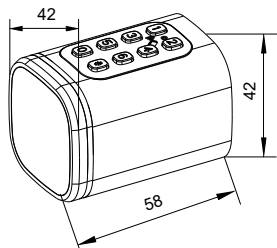
	Component	Description/Notes/Action
5	Indicator light	The indicator flashes red if an incorrect password/PIN is used.
6	Cylinder	
7	Inner door handle	
8	USB-C® port	<ul style="list-style-type: none"> ■ If the battery is depleted, supply emergency power via a 5 V/DC USB-C® power supply. ■ The USB-C® port is not a charging port.
9	Key hole	Insert the mechanical key and turn the key clockwise to unlock. Fully turn the key counterclockwise before you remove the key.
10	Cover	Use the suction cup to lift the cover.
11	Battery compartment	Insert a battery to power the door lock.

8 Installation

8.1 Product dimensions



EU Standard



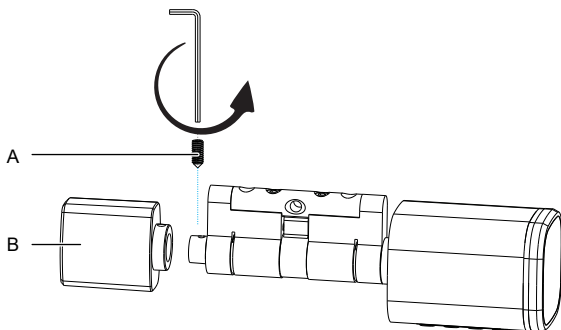
	Dimension
A	30 mm
B	30 mm
L	60 mm

8.2 Installing the door lock

Note:

Many door lock configuration settings rely on an internet connection. If the door lock installation location does not provide internet connectivity, add the door lock to the mobile app and configure the door lock before you install it.

Step 1: Remove the inner door handle

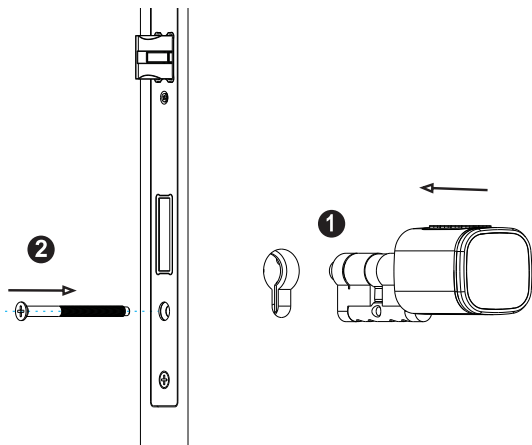


1. Remove the grub screw [A] with the supplied hex key.
2. Remove the inner door handle [B] from the cylinder.

Step 2: Secure the cylinder

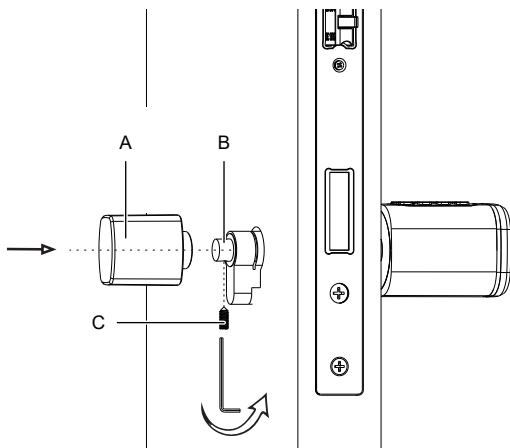
Note:

If a battery is installed in the door lock, remove it to prevent accidental operation.



1. Adjust the width of the cylinder to the thickness of the door.
2. Secure the cylinder in the door.

Step 3: Secure the inner door handle



1. Slide the inner door handle **[A]** onto the cylinder **[B]**.
2. Secure the inner door handle with the grub screw **[C]** that you removed in step 1.

Step 4: Install the battery

1. Prepare a CR123A battery.
2. Attach the supplied suction cup to the door lock cover.
3. Lightly pull the cover and rotate the cover to the right to reveal the battery compartment cover.
4. Remove the screw from the battery compartment cover.
5. Slide the battery with the plus (+) pole facing out into the battery compartment.
6. Close the battery compartment cover and tighten the screw.
 - The door lock emits a beep sound to confirm that the battery supplies power.

Step 5: Configure the door lock

Configure the door lock by referring to the operating instructions.

9 Declaration of Conformity (DOC)

Conrad Electronic SE, Klaus-Conrad-Straße 1, D-92240 Hirschau hereby declares that this product conforms to the 2014/53/EU directive.

- Click on the following link to read the full text of the EU declaration of conformity: www.conrad.com/downloads

Enter the product item number in the search box. You can then download the EU declaration of conformity in the available languages.

10 Disposal

10.1 Product



This symbol must appear on any electrical and electronic equipment placed on the EU market. This symbol indicates that this device should not be disposed of as unsorted municipal waste at the end of its service life.

Owners of WEEE (Waste from Electrical and Electronic Equipment) shall dispose of it separately from unsorted municipal waste. Spent batteries and accumulators, which are not enclosed by the WEEE, as well as lamps that can be removed from the WEEE in a non-destructive manner, must be removed by end users from the WEEE in a non-destructive manner before it is handed over to a collection point.

Distributors of electrical and electronic equipment are legally obliged to provide free take-back of waste. Conrad provides the following return options **free of charge** (more details on our website):

- in our Conrad offices
- at the Conrad collection points
- at the collection points of public waste management authorities or the collection points set up by manufacturers or distributors within the meaning of the ElektroG

End users are responsible for deleting personal data from the WEEE to be disposed of.

It should be noted that different obligations about the return or recycling of WEEE may apply in countries outside of Germany.

10.2 (Rechargeable) batteries

Remove batteries/rechargeable batteries, if any, and dispose of them separately from the product. According to the Battery Directive, end users are legally obliged to return all spent batteries/rechargeable batteries; they must not be disposed of in the normal household waste.



Batteries/rechargeable batteries containing hazardous substances are labelled with this symbol to indicate that disposal in household waste is forbidden. The abbreviations for heavy metals in batteries are:

Cd = Cadmium, Hg = Mercury, Pb = Lead (name on (rechargeable) batteries, e.g. below the trash icon on the left).

Used (rechargeable) batteries can be returned to collection points in your municipality, our stores or wherever (rechargeable) batteries are sold. You thus fulfil your statutory obligations and contribute to environmental protection.

Batteries/rechargeable batteries that are disposed of should be protected against short circuit and their exposed terminals should be covered completely with insulating tape before disposal. Even empty batteries/rechargeable batteries can contain residual energy that may cause them to swell, burst, catch fire or explode in the event of a short circuit.

11 Technical data

Power supply	1x 3V CR123A battery
Idle current.....	max. 50 μ A
Active current.....	100 mA
Emergency power supply	5 V/DC via USB-C®

Lock type

Grade.....	C
Cylinder type.....	European

Installation

Suitable door thickness 35 - 60 mm

Cloud connectivity

Mobile app Tuya Smart Life/Smart Living

Password authentication (PIN)

Default password 123456

Supported password type Numeric (PIN)

Password length 6 - 10 digits

Max. registered passwords 100

Smart card authentication

Smart card technology RFID

Supported smart card types MIFARE®

Max. registered smart cards 100

Smart card frequency 13.553 - 13.567 MHz

Transmission power 7.3 dBm

Smart card encryption Crypto-1

Bluetooth authentication

Bluetooth protocol BLE V4.2

Wireless frequency band 2.402 - 2.480 GHz

Wireless range max. 15 m

Wireless transmission power ... 3.25 dBm

Mechanical authentication

Mechanical key Yes

Others

Ingress protection IP5X

Operating temperature	-20 to +50 °C
Operating humidity	10 – 90 % RH (non-condensing)
Storage temperature	-20 to +50 °C
Storage humidity	10 – 90 % RH (non-condensing)
Dimensions (W x H x D) (approx.)	42 x 42 x 140 mm
Weight (approx.)	390 g



This is a publication by Conrad Electronic SE, Klaus-Conrad-Str. 1, D-92240 Hirschau (www.conrad.com).

All rights including translation reserved. Reproduction by any method (e.g. photocopying, microfilming or the capture in electronic data processing systems) requires prior written approval from the editor. Reprinting, also in part, is prohibited. This publication reflects the technical status at the time of printing.

Copyright by Conrad Electronic SE

*3060830_V2_0924_jh_mi_en 36028798345224075 I5/O2 en
