

HiRise Pro

for iMac & Displays

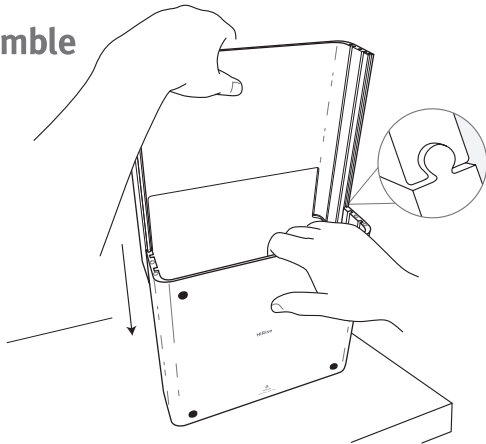
owner's guide



How to assemble

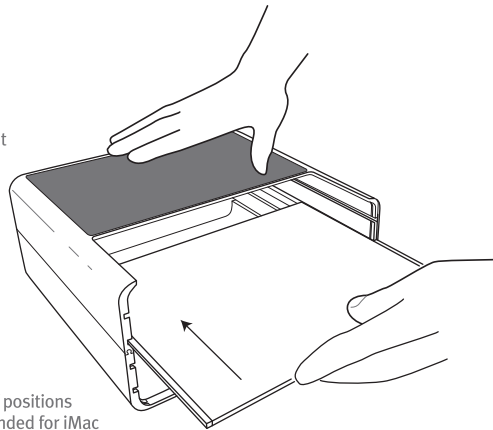
1

Carefully align and slide top onto bottom as shown



2

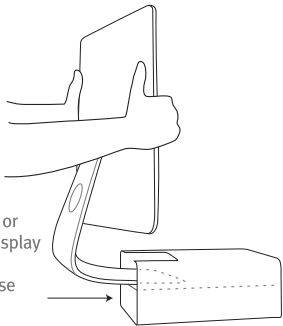
Slide shelf into HiRise at desired height



Note:
Top two shelf positions
are recommended for iMac

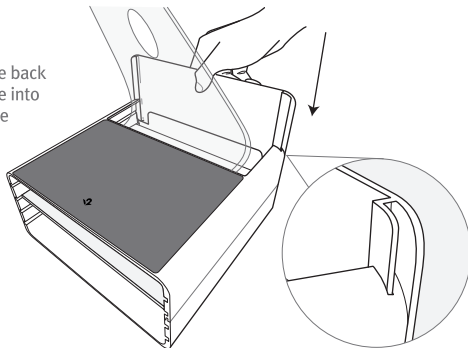
3

Place iMac or
Desktop Display
on shelf
inside HiRise



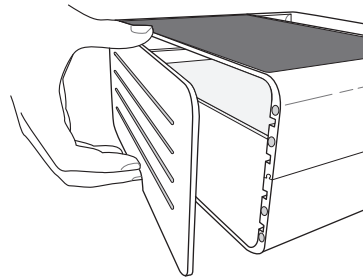
4

Slide back plate into place



5

Choose desired finish and connect
magnetic front plate



Tips and tricks

When assembling HiRise, position the bottom section with its end on a stable desktop surface. Align the rails of the two sections, then slide the top down until even with the bottom section.

To adjust your iMac or Display to your desired screen height - first remove your device, then change the position of the internal shelf. Place iMac or Display back into HiRise and power up to check the new position of your screen.

Secure the back faceplate with the opening facing down for complete access to connections and power on your peripherals and hard-drives.

Top two shelf positions work best for Apple iMacs. The lower two shelf positions may be used to add additional hidden storage to other desktop displays.

Have questions?

Visit [twelvesouth.com](https://www.twelvesouth.com) or contact support@twelvesouth.com

© 2017 Twelve South, LLC. All rights reserved

12 ways to re-purpose your HiRise box

Our flag is red and our hearts are green. So if you could, do the earth a favor and find a fun way to re-use your HiRise box.

1. perfect for storing 8 x 10 photos
2. use it to make a shadow box
3. re-purpose as a fancy gift box
4. store those magazine cut-outs you've been collecting
5. fill with pens, pencils and crayons
6. use as a drawer organizer
7. save it for the next kids' craft project
8. store all of your tax receipts in the box
9. fill with Legos or trading cards
10. turn it into a garage for Hot Wheels
11. flatten it out and use it as backer board in a picture frame
12. fill with sand and use as a zen garden



thank you



pull