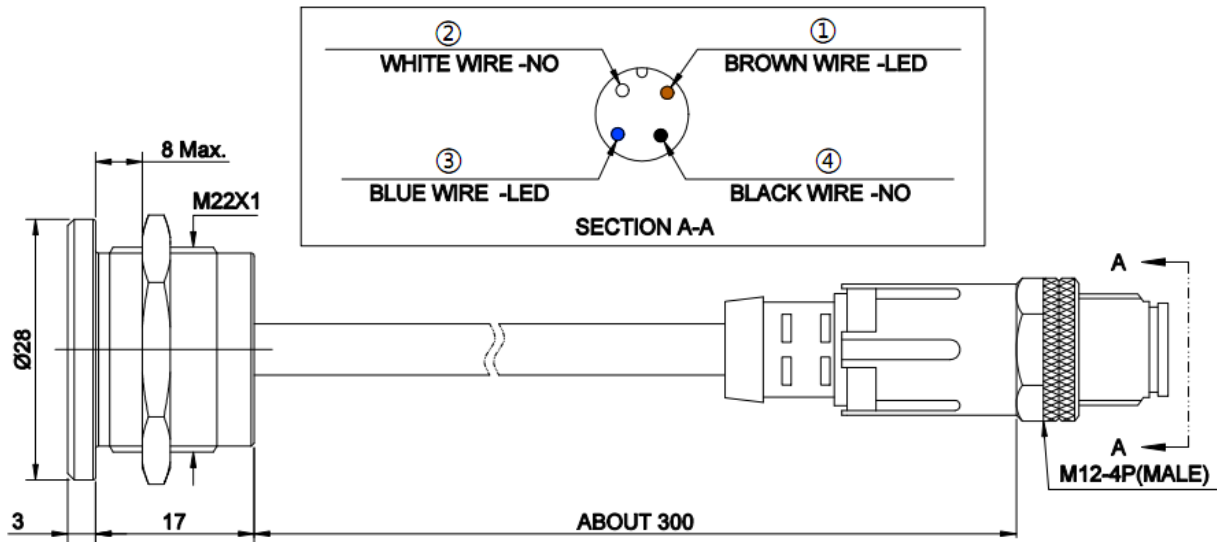


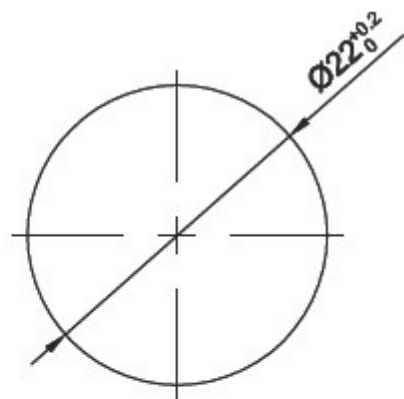
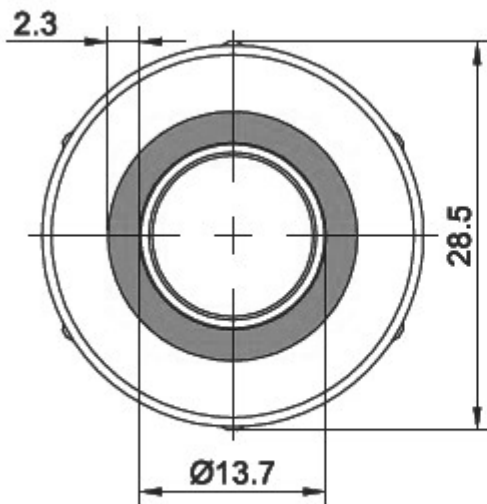
# Data Sheet

## Piezo switch

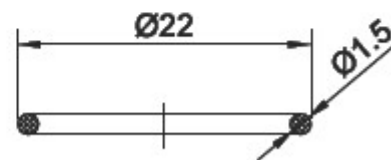
Version 1/25



THE SHADED AREA IS ILLUMINATED



PANEL CUTOUT



SEAL RING

## Data Sheet

---

### Specification

Mounting diameter.....	22 mm
Head shape.....	Round head
Operation type.....	Momentary
Switch rating .	200 mA / 24 VDC
Contact structure .....	1NO
Terminal .....	Wire with M12 male connector
Body material .....	Stainless steel
Lighting type .....	LED 12 V
Operating force .....	5-10 N
Operating and storage temperature .....	-25 to +55°C
Operating and storage humidity .....	20-80%RH(no condensation)
Electric life .....	50 million cycles

Item no.	LED color
3208826	Red
3208827	Green