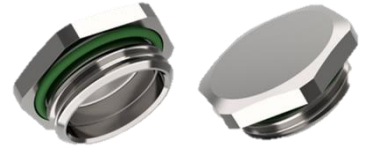


52006118	DATA SHEET	
Valid from: 04.10.2023	SKINDICHT® BL-M 6KT. +FKM O-RING	

The SKINDICHT® BL-M hexagonal brass blind plugs with metric thread are made to ensure unused threaded holes are closed and sealed. The brass blind plug is qualified for use by machine, apparatus and electric motor construction.



Components:

Body	Brass, nickel-plated Brass lead free, nickel-plated
O-ring	FKM


Technical features:

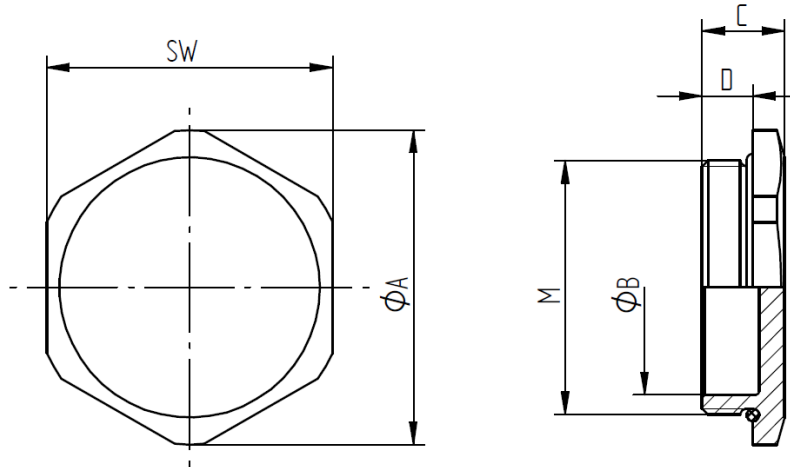
Connecting thread	M12x1,5 up to M63x1,5 acc. to EN 60423
Protection class	IP66, IP68 (10bar/30min) acc. to EN 60529
Temperature range	-20 °C up to +200 °C

Norm references:



Creator: MOME3/PDP Released: DAMU1/PDP	Document: DB52006118EN Version: 01	Page 1 of 2
---	---------------------------------------	-------------

52006118	DATA SHEET	
Valid from: 04.10.2023	SKINDICHT® BL-M 6KT. +FKM O-RING	



Thread M	SW [mm]	Ø A [mm]	Ø B [mm]	C [mm]	D [mm]	Article No.	
						Brass	Brass lead free
M12x1,5	16	17,8	8,2	8	5	52006118	52103406LF
M16x1,5	20	22	12,1	8	5	52103479	52103416LF
M20x1,5	24	26,4	16	9,5	6	52103426	52103426LF
M25x1,5	29	31,9	20	11	7	52103436	52103436LF
M32x1,5	36	39,6	26,2	12	8	52103480	52103446LF
M40x1,5	45	49,5	33,8	13	8	52103481	52103456LF
M50x1,5	54	59	42,2	15	9	52103466	52103466LF
M63x1,5	67	73,5	55	16	10	52103476	52103476LF

For more information, please see our current catalogue. Please do not hesitate to contact our laboratory if there are any questions regarding resistance against aggressive agents and special oil.

Creator: MOME3/PDP Released: DAMU1/PDP	Document: DB52006118EN Version: 01	Page 2 of 2
---	---------------------------------------	-------------