

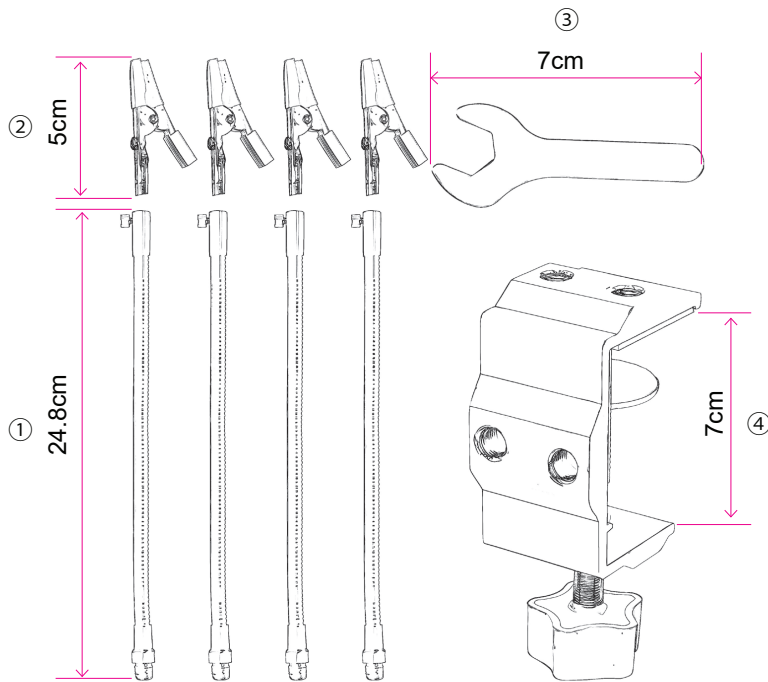


# DATASHEET

## Circuit board holder with desk clamp

Item No. 3393243

### Overview



### Delivery contents

- 1 Adjustable steel clamp
- 2 4 x Steel arms with removeable alligator clips
- 3 Spanner

### Feature

- Flexible and durable steel arms
- Adjustable in any direction and angle
- Removeable alligator clips

### Technical data

Operation conditions.....	-25 to 80 °C, 25 - 95% RH
Storage conditions.....	-25 to 65 °C, 15 - 75% RH
Clamp dimensions (L x H x W) .....	116 x 63.5 x 45 mm
Material.....	Aluminum alloy
Wrench material .....	Iron
Product weight (1 set).....	442 g

