

Features

- IEC/EN/UL 62368-1 3rd edition
- 100-240VAC Universal Input
- Regulated Output With Low Ripple Noise
- ErP Stage 2, DoE Level VI
- No Load Power Consumption < 0.1 W
- Regulated Output with Low Ripple Noise
- 1 Year Warranty



Marks / Approvals



P: C14 Inlet (Protection Class I)
G: C6 Inlet (Protection Class I)

Specifications

	MODEL	Voltage	Min. Load	Max. Load	Max. Power
	ATS 240A1-□120	12 V	0.0 A	20.00 A	240 W
	ATS 240A1-□190	19 V	0.0 A	12.63 A	240 W
	ATS 240A1-□240	24 V	0.0 A	10.00 A	240 W
	ATS 240A1-□480	48 V	0.0 A	5.00 A	240 W
	ATS 240A1-□560	56 V	0.0 A	4.28 A	240 W
INPUT	Voltage	AC 100 V – 240 V			
	Frequency	50 Hz - 60 Hz			
	Current	3.30 A max.			
	Protection	Internal Primary Current Fuse, Inrush Limiting			
OUTPUT	Load Regulation	± 5 % (typical)			
	Ripple & Noise	2 % V p-p max. for output voltage at full load			
	Transient Response	0.5 ms for 50 % load change typical			
	Leakage Current	Protection Class I: 3.5 mA max.			
	Protection	Short circuit Protection ▪ Over Voltage Protection ▪ Over Current Protection			
OTHERS	Cooling	Convection			
	Efficiency	DoE Level VI ▪ ErP Stage 2			
	Holdup Time	10 ms at full load			
	Dielectric Withstand	AC 3000 V Primary – Secondary			
	MTBF	300,000 calculated hours at 25 °C by Telcordia SR-332			
ENVIRONMENT	Temperature	Operating: -20 °C – 40 °C / Storage: -20 °C – 80 °C			
	Humidity	Operating: 20 % RH – 80 % RH / Storage: 10 % RH – 90 % RH			
EMI Conduction & Radiation	Compliance to EN 55032 Class B				
Harmonic Current	Compliance to EN 61000-3-2, EN 61000-3-3				
EMS Immunity	Compliance to EN 55035				
Safety	IEC / EN / UL 62368-1 ▪ PSE ▪ BSMI				
Case Dimensions	183.2 mm × 81 mm × 42.3 mm				
Weight	860 g				

Cable type : Black UL2464 16AWG * 6C

(Wire + Plug)

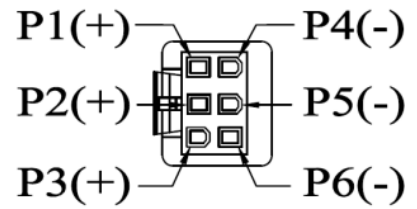
Plug : 6Pin Housing

Cable length : 1200mm

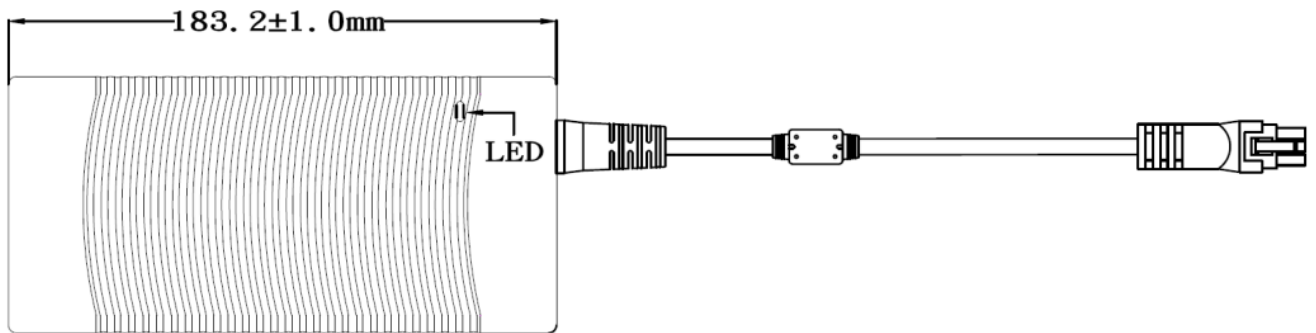
Case dimension : 183.2mm(L) * 81.0mm(W) * 42.3mm(H) ± 1 mm

Material flammability : UL 94V-0

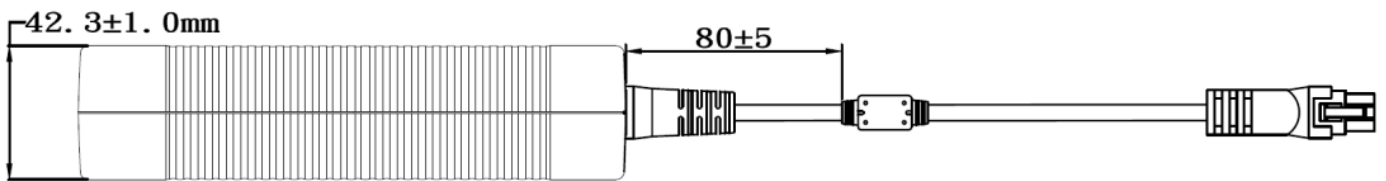
External appearance : As drawing below (Scale → mm)



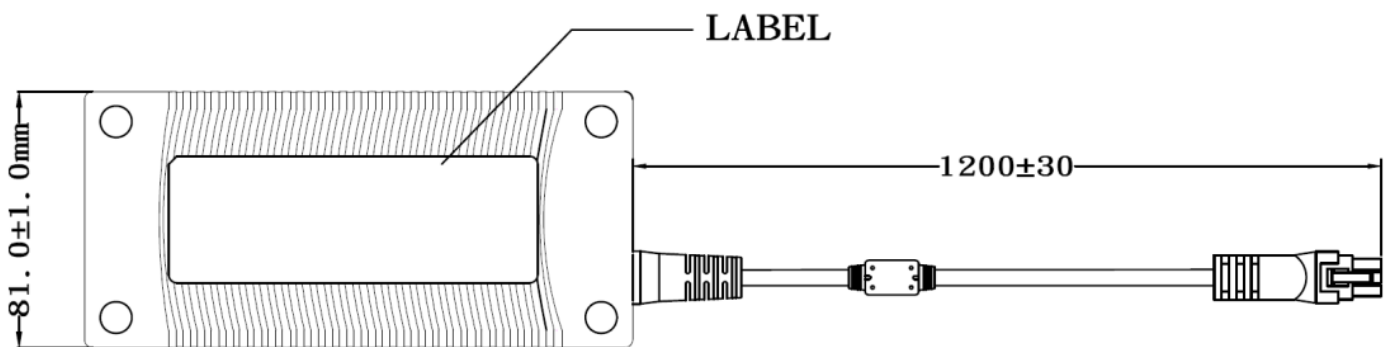
Output Cable Plug Pin Assignment



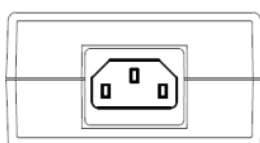
TOP-VIEW



SIDE-VIEW



BOTTOM-VIEW



FRONT-VIEW

Cable type : Black UL2464 18AWG * 4C
(Wire + Plug)

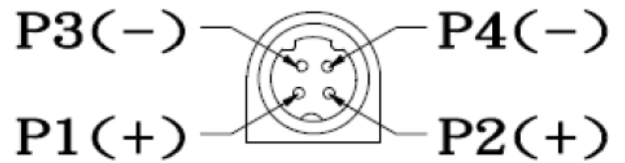
Plug : 4Pin Din

Cable length : 1200mm

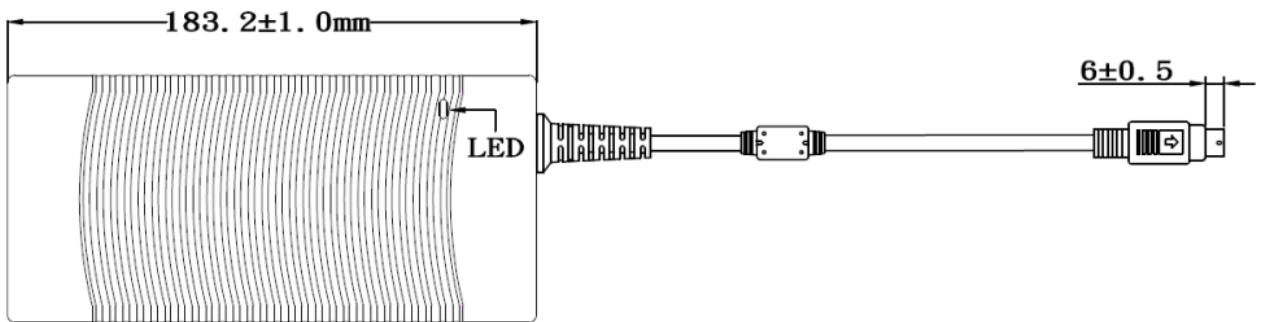
Case dimension : 183.2mm(L) * 81.0mm(W) * 42.3mm(H) ± 1 mm

Material flammability : UL 94V-0

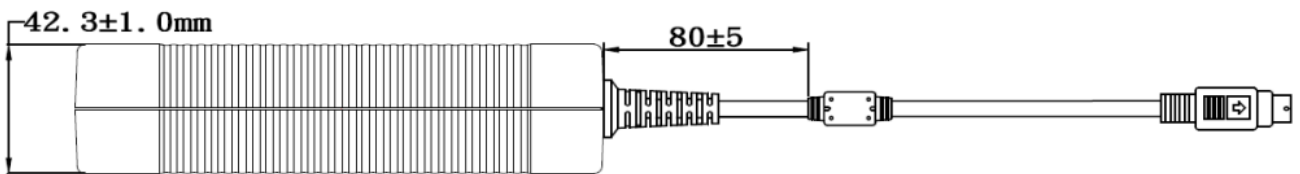
External appearance : As drawing below (Scale → mm)



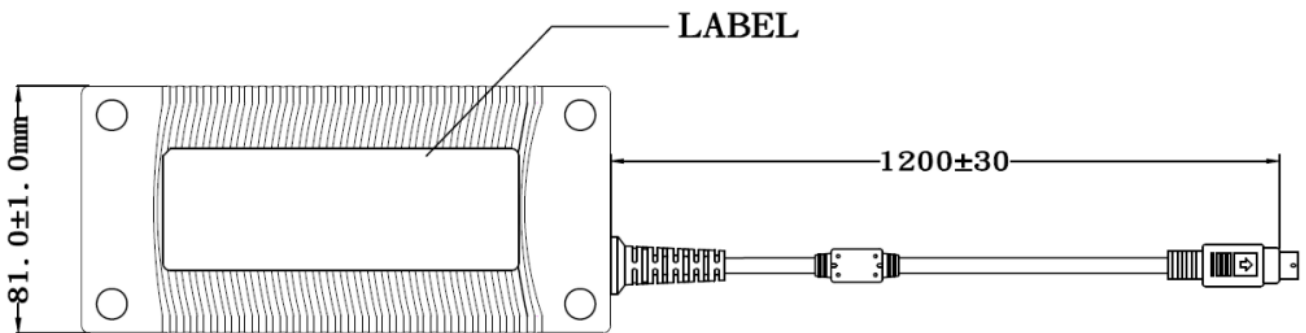
Output Cable Plug Pin Assignment



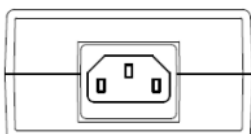
TOP-VIEW



SIDE-VIEW



BOTTOM-VIEW



FRONT-VIEW

Cable type : Black UL2464 18AWG * 2C
(wire + plug)

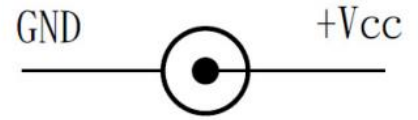
Plug : $\phi 5.5 * \phi 2.5 * 9.5$ mm
(cannelure)

Cable length : 1200 mm

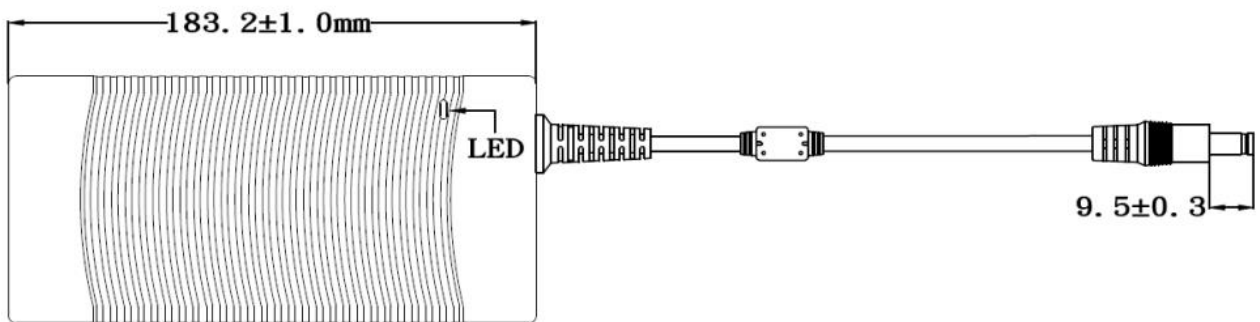
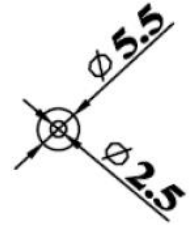
Case dimension : 183.2mm(L) * 81.0mm(W) * 42.3mm(H) ± 1 mm

Material flammability : UL 94V-0

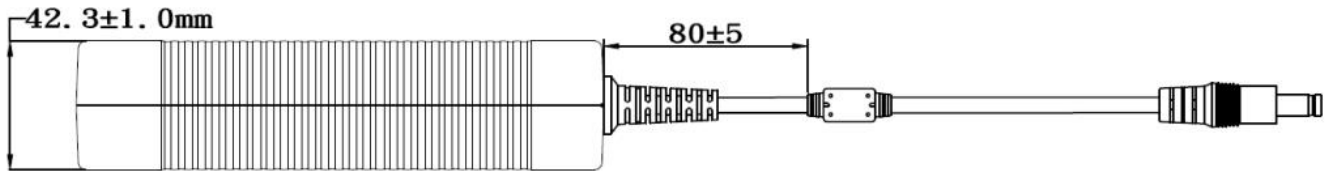
External appearance : As drawing below (scale \rightarrow mm)



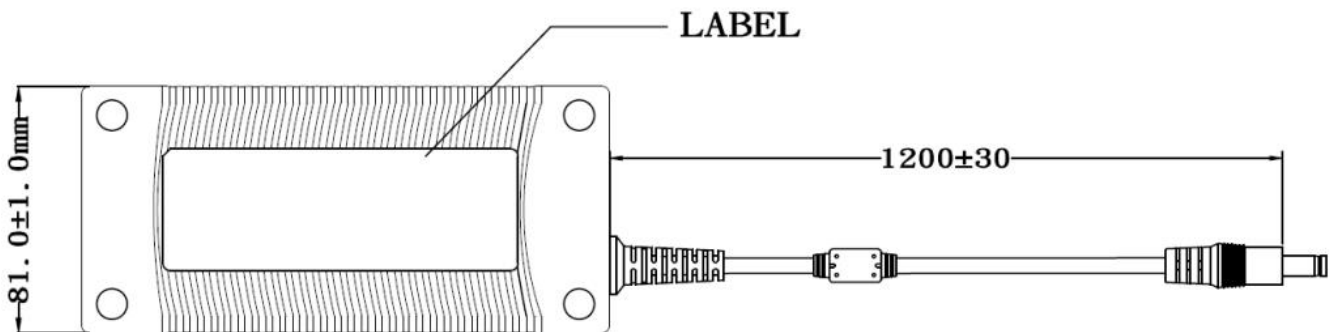
Output cable plug pin assignment



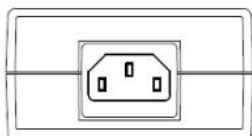
TOP-VIEW



SIDE-VIEW



BOTTOM-VIEW



FRONT-VIEW