

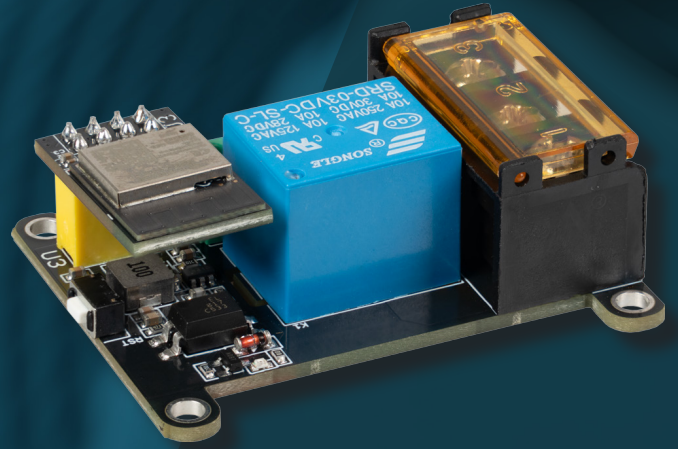
# ESP32-C6 MINI RELAY MODULE

COMPACT WIRELESS RELAY CONTROLLER WITH WI-FI 6,  
BT 5 LE AND ZIGBEE / THREAD SUPPORT

JOY-IT

## SPECIAL FEATURES

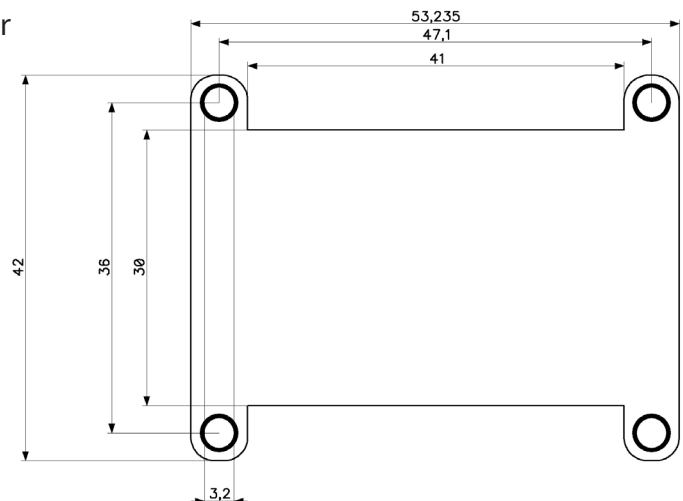
- ✓ Wi-Fi 6, BT 5 LE, and Zigbee / Thread support
- ✓ Wide input voltage: 5–12 V DC
- ✓ High switching load: 10 A / 250 V AC or 10 A / 30 V DC
- ✓ GPIO 9 relay control with integrated reset button
- ✓ Compact design



The ESP32-C6 Mini Relay Module combines advanced wireless technology with practical switching capability in a compact form factor. Equipped with the ESP32-C6-Mini-1 from Espressif, it supports Wi-Fi 6 (802.11ax), BT 5 LE, and Zigbee / Thread, offering flexible integration for a wide range of IoT and automation projects.

Powered by a 5–12 V DC supply, the module features an onboard relay capable of switching up to 10 A / 250 V AC or 10 A / 30 V DC, making it suitable for controlling lights, motors, or other electrical devices. The relay can be controlled directly via GPIO 9, and a built-in reset button provides quick access for setup or configuration.

Thanks to its wireless connectivity and robust relay performance, the SBC-ESP32-RM01 is ideal for smart home systems, remote switching, and automation environments. Its compact size, low weight, and easy terminal connections ensure fast integration and reliable operation in any project.



## MAIN FEATURES

Supply voltage	5 - 12 V DC
Operating voltage	3.3 V DC
Maximum switching load	10 A / 250 V AC 10 A / 30 V DC
Module	ESP32-C6-Mini-1

## FURTHER SPECIFICATIONS

Special features	Wireless controllable relay, integrated reset button
ESP Relay Pin	GPIO 9
Radio / Communication	2.4 GHz Wi-Fi 6 (802.11ax), BT 5 (LE), IEEE 802.15.4 (Zigbee / Thread)
Connections	Relay terminal block 3 pin, supply terminal block 2 pin

## FURTHER INFORMATION

Weight	30 g
Dimensions	55 x 42 x 20 mm
Item number	SBC-ESP32-RM01
Scope of delivery	Relay module, ESP32-C6-Mini-1 module
Customs tariff number	8473302000
EAN	4250236830346

