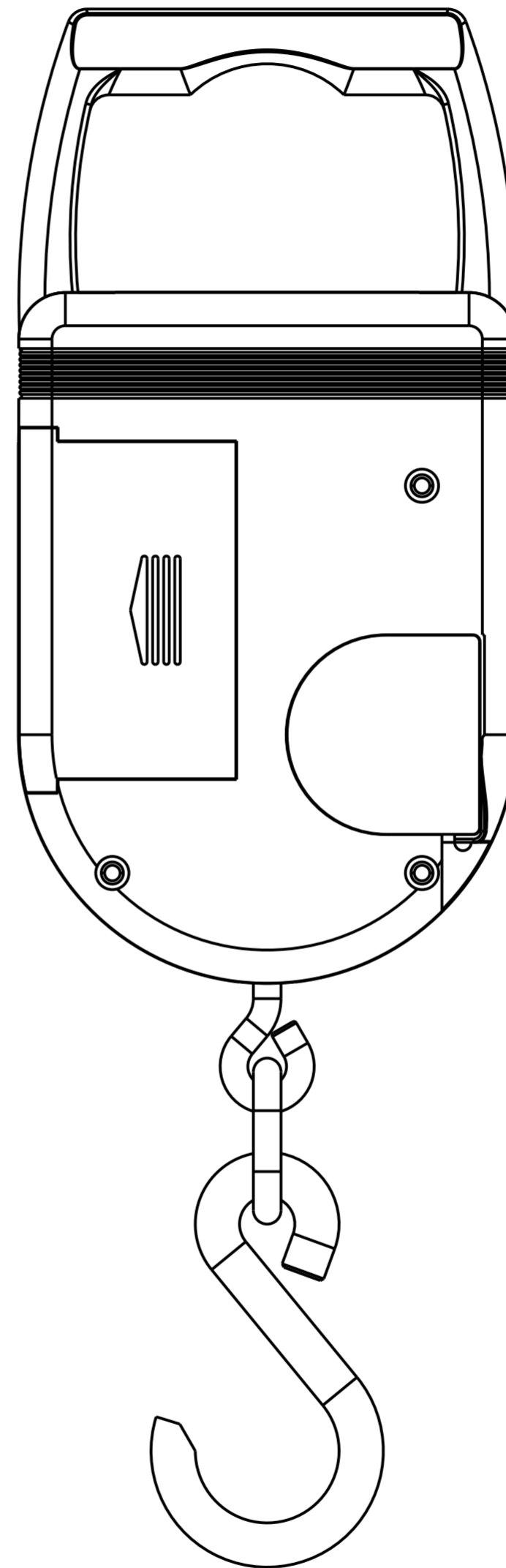
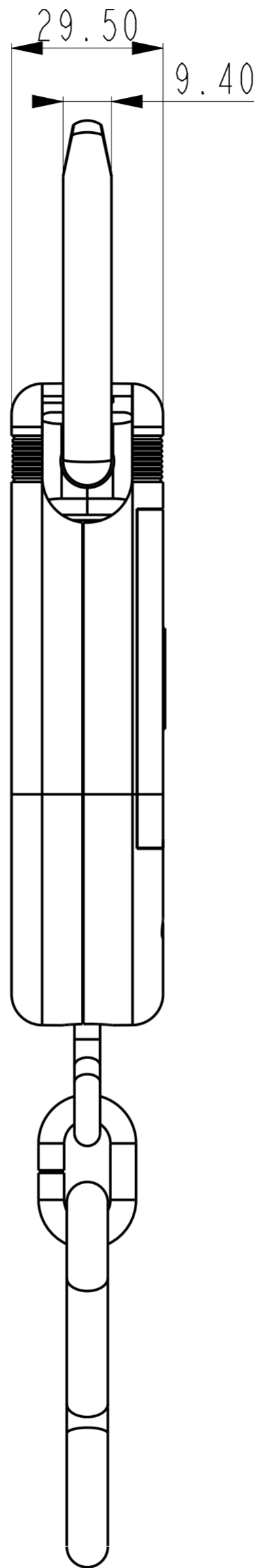
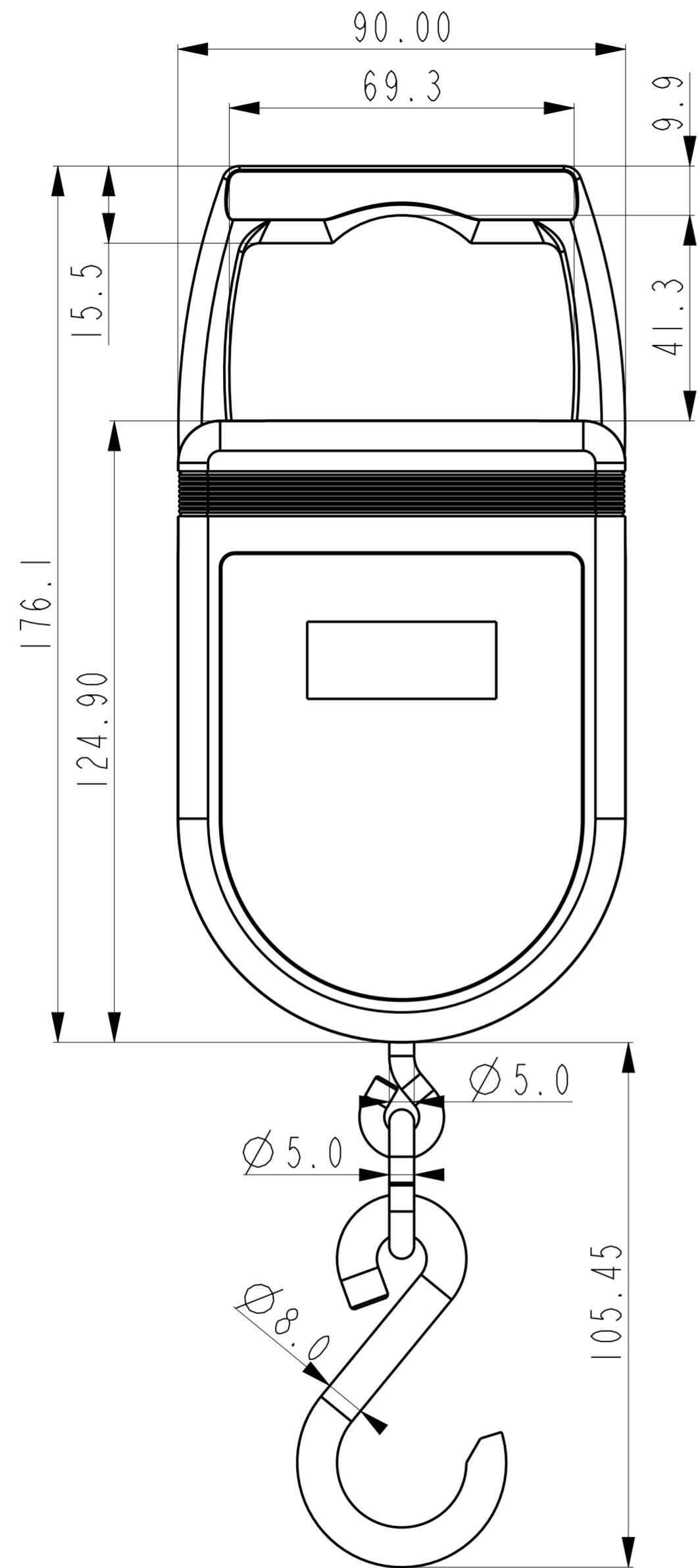


REVISIONS				
ZONE	REV.	DESCRIPTION	DATE	APPROVED
	00	N/A	Mar 10, 22	



TOLERANCE UNLESS OTHERWISE SPECIFIED DEC ANGLES ± 0.1 FOR 0.X ± 0.05 FOR 0.XX		KERN® KERN & Sohn GmbH			
3RD ANGLE PROJECTION		TITLE: CH Dimension Drawing			
DRAWN ZhaoZiBing	Mar 10, 22	MODEL NO.	1.14.0393xxx	PART NO.	NONE
CHECKED		MATERIAL	NONE	FINISH	NONE
APPROVED		SCALE	1:1	DO NOT SCALE DRAWING	SHEET 1 OF 1
UNIT	mm				