



PID TEMPERATURE CONTROL UNITS ESM-XX20

ESM-9920, ESM-9420, ESM-7720, ESM-4920, ESM-4420

PID Temperature Control Units

- 4 digit process (PV) and 4 digit set (SV) display
- Process input (TC, RTD)
- Programmable ON/OFF, P, PI, PD and PID control forms
- Adaptation of PID Coefficients to the system with Self-Tune operation (Step Response Tuning)
- Programmable Heating or Cooling Functions for Control Output
- Selectable Alarm Functions for Alarm Output

ESM series temperature controllers are designed for measuring and controlling a process value. They can be used in many applications with their TC and RTD temperature measurement input, multi-function control outputs, selectable alarm functions.

They are mainly used in glass, plastic, petro-chemistry, textile, automotive and machine production industries. Accurate and advanced controlling is performed with selectable ON-OFF, P, PI, PD, PID and Self Tune PID functions.

Specifications

Process Input: TC, RTD

Thermocouple (TC): J, K, R, S and T (IEC584.1)(ITS90) Thermoresistance (RTD): PT-100 (IEC751)(ITS90)

Measurement Range : Please refer to Table-1 for selection of input type and scale.

Accuracy : $\pm 0.25\%$ of scale for thermocouple and thermoresistance

Cold Junction Compensation : Automatically $\pm 0.1^{\circ}\text{C}/1^{\circ}\text{C}$

Line Compensation : Maximum 10 Ohm

Sensor Break Protection : Upscale

Sampling Cycle : 3 samples per second

Input Filter : 1.0 second.

Control Form : ON/OFF, P, PI, PD or PID (Control form can be programmed by the user.)

Output

Process Output : Relay (5A@250V~ at resistive load) or SSR

Driver Output (Maximum 24mA, Max. 12V ---)

Alarm Output : Relay(5A@250V~ at resistive load) or SSR Driver

Output(Alarm Output - 2) (Maximum 24mA, Max. 12V ---)

Supply Voltage

24V ~ ($\pm 15\%$) 50/60 Hz - 3VA or 24V --- ($\pm 15\%$) -3W

230V ~ ($\pm 15\%$) 50/60 Hz - 3VA

115V ~ ($\pm 15\%$) 50/60 Hz - 3VA

24V ~ ($\pm 15\%$) 50/60 Hz - 3VA

(It must be determined in order)

Display

Process Display :

ESM-4420 : 10.1 mm Red 4 digit LED Display

ESM-4920 : 13.2 mm Red 4 digit LED Display

ESM-7720 : 13.2 mm Red 4 digit LED Display

ESM-9420 : 10.1 mm Red 4 digit LED Display

ESM-9920 : 19 mm Red 4 digit LED Display

Set Value Display :

ESM-4420 : 8 mm Green 4 digits LED Display

ESM-4920 : 8 mm Green 4 digits LED Display

ESM-7720 : 9.1 mm Green 4 digits LED Display

ESM-9420 : 8 mm Green 4 digits LED Display

ESM 9920 : 10.8 mm Green 4 digits LED Display

Leds : PS (Process Set Value), PO (Process Output Status Led) ,

AS1, AS2 (Alarm Set Values), AO1, AO2 (Alarm Output Status

Environmental Ratings and Physical Specifications

Operating Temperature : 0...50°C

Humidity : 0-90%RH (none condensing)

Protection Class : IP65 at front, IP20 at rear

Weight : ESM-4420 : 220 gr. , ESM-4920 : 240 gr.

ESM-7720 : 270 gr. , ESM-9420 : 230 gr.

ESM-9920 : 340 gr.

Dimension :

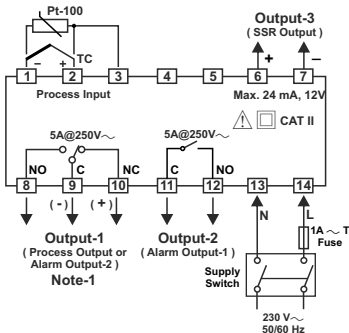
- ESM-4420 : (48 x 48mm, Depth : 95mm)
- ESM-4920 : (96 x 48mm, Depth : 94.5mm)
- ESM-7720 : (72 x 72mm, Depth : 95.5mm)
- ESM-9420 : (48 x 96mm, Depth : 94.5mm)
- ESM-9920 : (96 x 96mm, Depth : 96mm)

Panel CutOut :

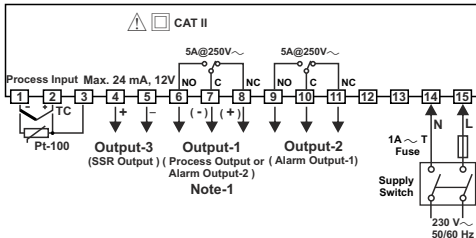
- ESM-4420 : (46 x 46mm)
- ESM-4920 : (92 x 46mm)
- ESM-7720 : (69 x 69mm)
- ESM-9420 : (46 x 92mm)
- ESM-9920 : (92 x 92mm)

Electrical Wirings

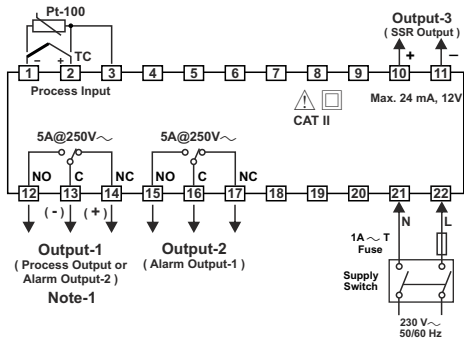
ESM-4420



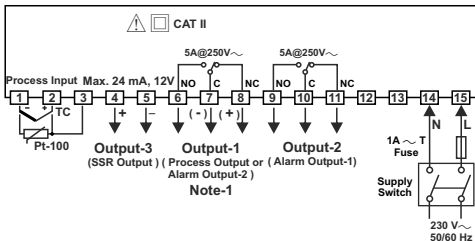
ESM-4920



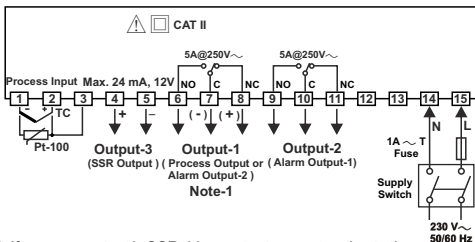
ESM-7720



ESM-9420

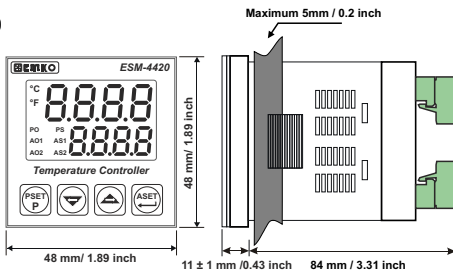


ESM-9920

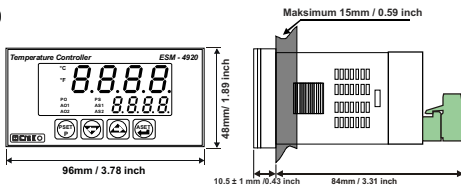


Note-1: If process output is SSR driver output, pay attention to the (+) and (-) pins while doing the connection of the device

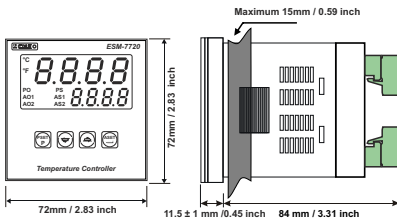
ESM-4420



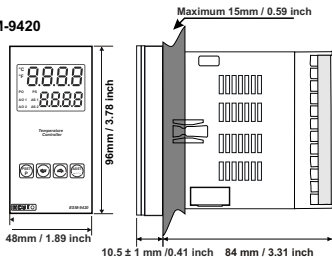
ESM-4920



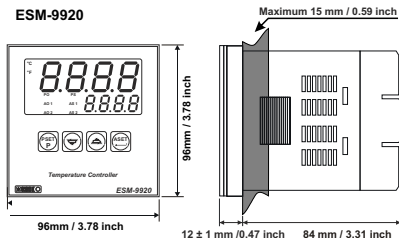
ESM-7720



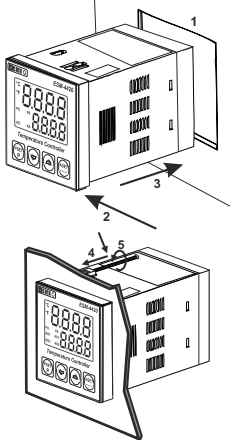
ESM-9420



ESM-9920



Panel Mounting



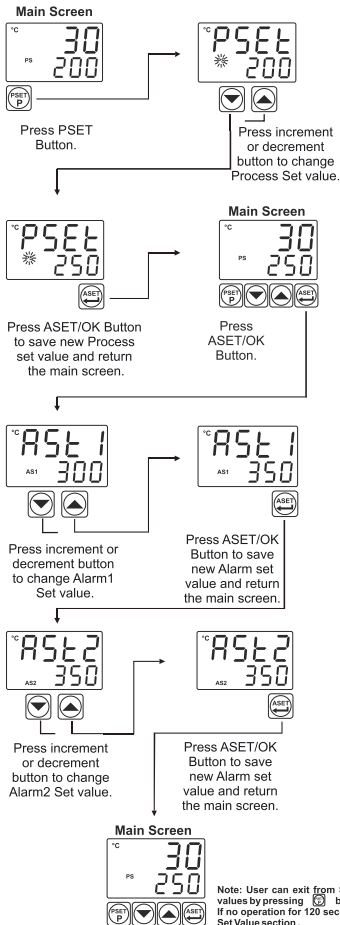
1-Before mounting the device in your panel, make sure that the cutout is of the right size.

2-Check front panel gasket position

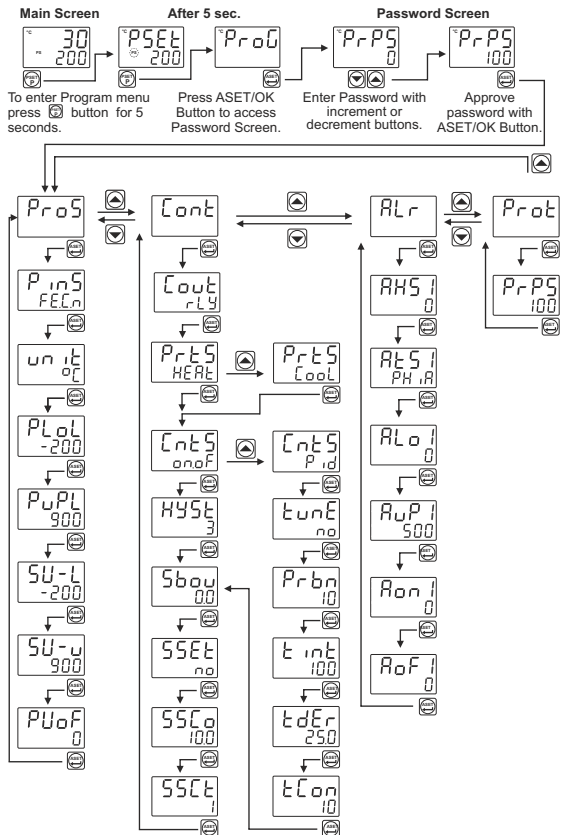
3-Insert the device through the cutout.If the mounting clamps are on the unit, put out them before inserting the unit to the panel.

4-Insert the unit in the panel cut-out from the front side.

5- Insert the mounting clamps to the holes that located top and bottom sides of device and screw up the fixing screws until the unit completely immobile within the panel.

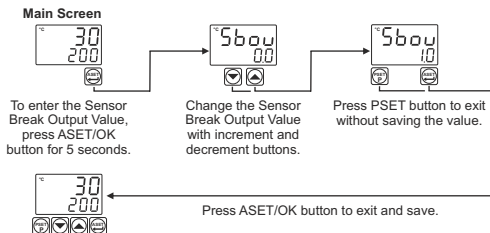


Easy Access Diagram For Program Parameters



Note: If user does not do anything for 120 seconds while device is on programming section, device turns to operation screen.

Easy Access Diagram For Sensor Break Output Value



Note: If user does not do anything for 120 seconds while device is on this section, device turns to operation screen.

Note-2: Sensor Break Output Value can be adjusted on programming section too.

Tune Operation

Starting the Tune operation

- 1- Enter to the programming section
- 2- Select $[YES]$, $[UN]$ parameter in $[Cont]$ menu. Press ASET/OK button for saving the parameter and turn to the main operation screen.
- 3- Observe that " $[UN]$ " blinks in set display.

Note- For starting the Tune operation,

Heating Tune Operation: Process value must be lower than process set value at least 5% of full scale $[Err]$

Cooling Tune Operation : Process value must be greater than process set value at least 5% of the full scale. If this condition is not okay, Blinks on the screen for 10 seconds.

Canceling **Self Tune** operation :

- 1- If sensor breaks ;
- 2- If **Self Tune** operation can not be completed in 8 hours ;
- 3- While heating **Self Tune** is running, if process value becomes greater than Process Set value
- 4- While cooling **Self Tune** is running, if process value becomes less than Process Set value;
- 5- While **Self Tune** operation is running, if user changes the process set value; Then **Self Tune** operation is canceled, device continues to run with former PID parameters without changing PID parameters.

P_{r05} : Process Menu Parameters

- P_{inS} : Process input type selection ; (Default: $[FECn]$)
- $FECn$: J type (Fe,Cu,Ni) Thermocouple, $-200^{\circ}C, 900^{\circ}C$; $-328^{\circ}F, 1652^{\circ}F$
- $nCrn$: K type (Ni,Cr,Ni) Thermocouple, $-200^{\circ}C, 1300^{\circ}C$; $-328^{\circ}F, 2372^{\circ}F$
- $P13r$: R type (Pt13%RhPt) Thermocouple, $0^{\circ}C, 1700^{\circ}C$; $32^{\circ}F, 3092^{\circ}F$
- $P10r$: S type (Pt10%RhPt) Thermocouple, $0^{\circ}C, 1700^{\circ}C$; $32^{\circ}F, 3092^{\circ}F$
- $CuLn$: T type (Cu,Cu,Ni) Thermocouple, $-200^{\circ}C, 400^{\circ}C$; $-328^{\circ}F, 752^{\circ}F$
- $rEd0$: Pt-100, $-200^{\circ}C, 650^{\circ}C$; $-328^{\circ}F, 1202^{\circ}F$
- $rEd1$: Pt-100, $-199.9^{\circ}C, 650.0^{\circ}C$; $-199.9^{\circ}F, 999.9^{\circ}F$
- $Unit$: Unit Selection. $^{\circ}C$ or $^{\circ}F$ can be chosen. (Default: $^{\circ}C$)
- $PLoL$: Operation Scale minimum (Low Limit) value. It changes according to the process input type and scale. (Default: -200)
- $PUPL$: Operation Scale maximum (High Limit) value. It changes according to the process input type and scale. (Default: 900)

- SU-L** : Process Set value Low Limit. Minimum set value is defined with this parameter. It changes according to the process input type and scale. (Default: -200)
- SU-u** : Process Set value High Limit. Maximum set value is defined with this parameter. It changes according to the process input type and scale. (Default: 900)
- PUoF** : Display offset for process value. It can be adjusted from -10% of scale to 10% of scale. It is added to the process display value. (Default: 0)

Note: If process input type selection (P_{inS}) is changed, $PLoL$, $PuPL$, $SU-L$, $SU-u$, $PUoF$, $RLoI$, $RuPI$, $RLo2$, $RuP2$, $PSEt$, $RS2I$ and $RS2E$ parameters may need to be updated according to the input type selection.

ConE : Control Menu Parameters

- LoUE** : This parameter determines, which output will be Process control output. If rLY is chosen, process output is relay output, if SSr is chosen, process output is SSR output. (Default: Ssr)
- PrES** : Process Type Selection. It can be **HERt** or **CoOL**. (Default: **HERt**)
- EnES** : Process Control Type Selection. It can be **oNoF** or **P_id**. (Default: **oNoF**)
- tunE** : If tune parameter is set to **YES**, device start to calculate PID parameters automatically. This parameter is shown if **EnES** = **P_id**. (Default: **no**)
- Prbn** : Proportional band. It can be adjusted from %1 to %100. If **EnES** = **P_id**, then this parameter can be observed. (Default: 10.0)
- tint** : Integral Time. It can be adjusted from 0 to 3600 second. If **EnES** = **P_id**, then this parameter can be observed. (Default: 100)
- tDer** : Derivative Time. It can be adjusted from 0.0 to 999.9 second. If **EnES** = **P_id**, then this parameter can be observed. (Default: 25.0)
- tCon** : Output Control Period. It can be adjusted from 1 to 150 second if **EnES** = **P_id**, then this parameter can be observed. (Default: 10)
- HYSt** : Hysteresis value. It can be adjusted from %0 ile %50 of the Scale ($PuPL - PLoL$) If **EnES** = **oNoF**, then this parameter can be observed (Default: 3)
- Sbou** : Sensor Break Output Value. It can be adjusted from %0 to %100. (Default: 0.0)
- SSEt** : Soft Start Set value. Device operates in Soft Start mode, until the temperature reaches Soft Start set value. (Default: no)
- SSEo** : Soft Start Control Output. This parameter determines soft start mode control output percentage. (Default: 10.0)
- SSEt** : Soft Start Control time. This parameter determines soft start mode control time. (Default: 1)

RLoB : Alarm Menu Parameters

- RHSI** : Alarm Hysteresis value. It can be adjusted from %0 ile %50 of the Scale ($RuPL - RLoL$). (Default: 0)
- RESt** : Alarm Type selection. (Default: **PHIR**)
- RLoI** : Alarm Set Low Limit parameter. It can be adjusted from Operation Scale minimum to Alarm Set High Limit. (Default: 0)
- RuPI** : Alarm Set High Limit parameter. It can be adjusted from Alarm Set Low Limit to Operation Scale maximum. (Default: 500)
- Roni** : Alarm on Delay Time. It can be adjusted from 0 to 9999 seconds. (Default: 0)
- RofI** : Alarm off Delay Time. It can be adjusted from 0 to 9998 seconds. If it is higher than 9998, **LtCH**, is seen on the screen and Alarm Latching Output is selected. (Default: 0)

[RHS2] : Alarm Hysteresis value. It can be adjusted from %0 ile %50 of the Scale ($(\overline{RUP2} - \overline{ALo2})$). (Default: 0)

[RtS2] : Alarm Type selection. (Default: **[PH iR]**)

[ALo2] : Alarm Set Low Limit parameter. It can be adjusted from Operation Scale minimum to Alarm Set High Limit. (Default: 0)

[RUP2] : Alarm Set High Limit parameter. It can be adjusted from Alarm Set Low Limit to Operation Scale maximum. (Default: 500)

[Ron2] : Alarm on Delay Time. It can be adjusted from 0 to 9999 seconds. (Default: 0)

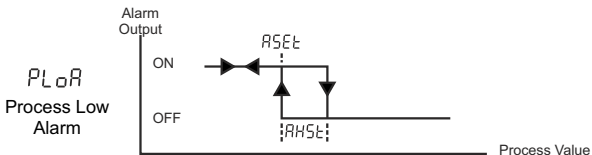
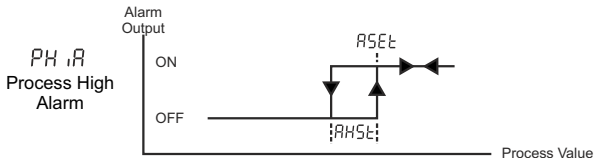
[RoF2] : Alarm off Delay Time. It can be adjusted from 0 to 9998 seconds. If it is higher than 9998, **[LCKH]** is seen on the screen and Alarm Latching Output is selected. (Default: 0)

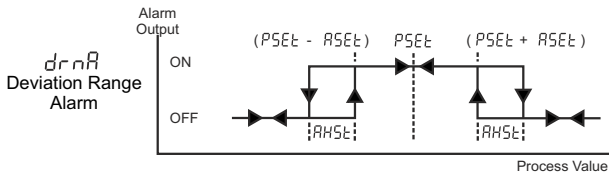
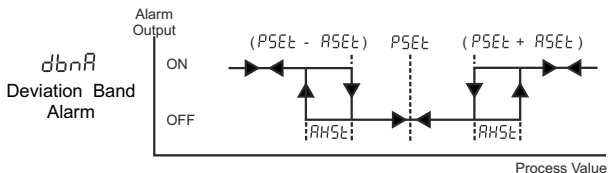
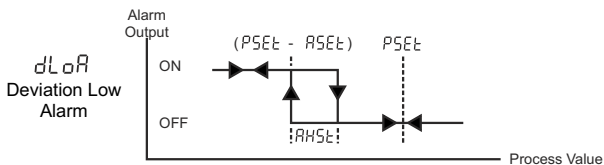
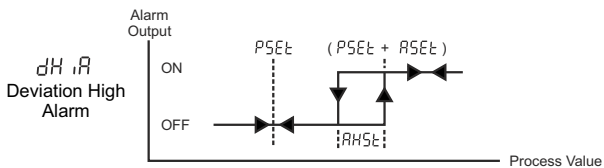
NOTE: Alarm-2 parameters(AHS2 , AtS2 , Alo2 ,AuP2 , Aon2 , AoF2) are active,if Cout parameter is set as SSR.

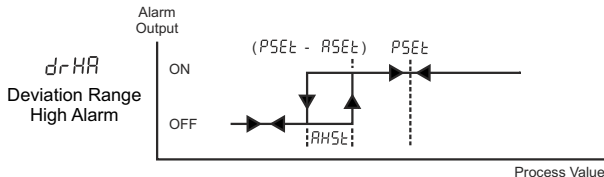
PrPt : Protection Menu Parameter

[PrPS] : Password for accessing to the programming section. It can be adjusted from 0 to 9999. If **[PrPS]** is 0, password screen is not observed. If **[PrPS]** is different from 0 and user enters to the menu pages without entering the password, all the menus can be observed except protection menu **[PrPt]**. But device does not allow to do any changes in parameters. (Default value is 0)

Alarm Types







Error Messages



- 1- Sensor failure in analog inputs. Sensor connection is wrong or there is no sensor connection.



- 2- If value that is read from the analog input is lower than process set low limit parameter $[P_{LoL}]$, value on the top display starts to blink like on the picture.



- 3- If value that is read from the analog input is higher than process set high limit parameter value $[P_{uPL}]$, value on the top display starts to blink like on the picture.



- 4- If programming section entering password is different from "0" and user accesses to the parameter by ASET/OK button without entering the password and wants to change a parameter, the warning message is shown on the bottom display as shown on the left. Device does not allow to do any changes without entering the password correctly.



- 5- In programming section, when Tune operation is selected $[YES]$, if warning which is shown on the left blinks in operation screen for 10 seconds, it means that start conditions is not okay for Tune operation.



Installation



Before beginning installation of this product, please read the instruction manual and warnings below carefully.

In package ,

- One piece unit
- Two pieces mounting clamp
- One piece instruction manual

A visual inspection of this product for possible damage occurred during shipment is recommended before installation. It is your responsibility to ensure that qualified mechanical and electrical technicians install this product.

If there is danger of serious accident resulting from a failure or defect in this unit, power off the system and the electrical connection of the device from the system.

The unit is normally supplied without a power switch or a fuse. Use power switch and fuse as required.

Be sure to use the rated power supply voltage to protect the unit against damage and to prevent failure.

Keep the power off until all of the wiring is completed so that electric shock and trouble with the unit can be prevented.

Never attempt to disassemble, modify or repair this unit. Tampering with the unit may result in malfunction, electric shock or fire.

Do not use the unit in combustible or explosive gaseous atmospheres. During the equipment is putted in hole on the metal panel while mechanical installation some metal burrs can cause injury on hands, you must be careful.

Montage of the product on a system must be done with it's mounting clamp. Do not do the montage of the device with inappropriate mounting clamp. Be sure that device will not fall while doing the montage.

It is your responsibility if this equipment is used in a manner not specified in this instruction manual.

Warranty

EMKO Elektronik warrants that the equipment delivered is free from defects in material and workmanship. This warranty is provided for a period of two years. The warranty period starts from the delivery date.

This warranty is in force if duty and responsibilities which are determined in warranty document and instruction manual performs by the customer completely.

Maintenance

Repairs should only be performed by trained and specialized personnel. Cut power to the device before accessing internal parts. Do not clean the case with hydrocarbon-based solvents (Petrol, Trichlorethylene etc.). Use of these solvents can reduce the mechanical reliability of the device. Use a cloth dampened in ethyl alcohol or water to clean the external plastic case.

Other Information:

Manufacturer Information:

Emko Elektronik Sanayi ve Ticaret A.Ş.
Demirtaş Organize Sanayi Bölgesi Karanfil Sk. No:6 16369
BURSA/TURKEY
Phone : +90 224 261 1900
Fax : +90 224 261 1912

Repair and Maintenance Service Information:

Emko Elektronik Sanayi ve Ticaret A.Ş.
Demirtaş Organize Sanayi Bölgesi Karanfil Sk. No:6 16369
BURSA/TURKEY
Phone : +90 224 261 1900
Fax : +90 224 261 1912

ESM-4420 (48x48 DIN 1/16)
 ESM-4920 (96x48 DIN 1/8)
 ESM-7720 (72x72 DIN Size)
 ESM-9420 (48x96 DIN 1/8)
 ESM-9920 (96x96 DIN 1/4)

A	BC	D	E	/	FG	HI	/	U	V	W	Z
		0	/	01	02	/	0	0	0	0	0

A Supply Voltage	
2	24V ~ 50/60Hz or 24V --- (± %15)
3	24V ~ (± %15) 50/60Hz
4	115V ~ (± %15) 50/60Hz
5	230V ~ (± %15) 50/60Hz
9	Customer

BC Input Type	Scale
20 Configurable (Table-1)	(Table-1)

D Serial Communication	
0	None

E Output-1(Process or Alarm)	
1	Relay Output (5A@250V~ Resistive Load)
2	SSR Driver Output (Max. 24mA, Max.12V ---)

FG Output-2(Alarm)	
01	Relay Output (5A@250V~ Resistive Load)

HI Output-3(Process)	
02	SSR Driver Output (Max. 24mA, Max.12V ---)

Table-1

BC Input Type(TC)	Scale(°C)	Scale(°F)
23 J ,Fe CuNi IEC584.1(ITS90)	-200°C,1300°C	-328°F,2372°F
25 K ,NiCr Ni IEC584.1(ITS90)	0°C,1700°C	32°F,3092°F
27 R ,Pt13%Rh Pt IEC584.1(ITS90)	0°C,1700°C	32°F,3092°F
28 S ,Pt10%Rh Pt IEC584.1(ITS90)	0°C,1700°C	32°F,3092°F
29 T ,Cu CuNi IEC584.1(ITS90)	-200°C,400°C	-328°F,752°F

BC Input Type(RTD)	Scale(°C)	Scale(°F)
39 PT 100 , IEC751(ITS90)	-200°C,650°C	-328°F,1202°F
40 PT 100 , IEC751(ITS90)	-199.9°C,650.0°C	-199.9°F,999.9°F



Su Socio Tecnológico

Muchas gracias por haber elegido productos Emko Elektronik, visite nuestra página web para descargar el manual de usuario detallado.

www.emkoelektronik.com.tr



PID TEMPERATURREGLER ESM-XX20

ESM-9920, ESM-9420, ESM-7720, ESM-4920, ESM-4420
PID Temperaturregler

- 4-stellige Prozess- (PV) und 4-stellige Vorwahl(SV) Anzeige
- Prozesseingang (TC, RTD)
- Programmierbare ON/OFF, P, PI, PD und PID Regelungsarten
- Anpassung der PID Koeffizienten an das System mittels Selbst-Abgleich (Step Response Tuning)
- Programmierbare Heizung- und Kühlfunktionsfunktion für Regel Ausgang
- Wählbare Alarm Funktionen für Alarm Ausgang

Die ESM Serie von Temperaturreglern wurden zur Messung und Regelung von Prozesswerten entwickelt. Sie können in vielen Anwendungen mit ihren TC und RTD Temperatur Sensoreingängen, Multifunktions Steuerausgängen und wählbaren Alarmfunktionen eingesetzt werden.

Hauptanwendungsgebiete sind die Herstellung von Plastik, Petrochemie, Textil, und Automobil Produktionsanlagen. Eine genaue und fortschrittliche Messung und Regelung wird durch die frei wählbaren ON-OFF, P, PI, PD,PID, Self-Tune PID Funktionen gewährleistet.

Spezifikationen

Prozesseingänge TC, RTD

Thermoelement (TC): J , K , R , S und T (IEC584.1) (ITS90)

Thermowiderstand (RTD): PT-100 (IEC751) (ITS90)

Messbereich: Für Eingangstyp und Skalen Auswahl Siehe Tabelle-1.

Genauigkeit: Für Thermoelement und Thermowiderstand $\pm 0.25\%$ vom Skalenendwert,

Kaltstellen-Kompensation: Automatisch durchgeführt $\pm 0.1^\circ\text{C}/1^\circ\text{C}$

Leitungskompensation: Maximal 10 Ohm

Sensorbruchsicherung: Anzeige am Display

Ausleseintervall: 3 pro Sekunde

Eingangsfiler: 1.0 Sekunden

Regelungsmethode: ON/OFF, P, PI, PD oder PID (Der Benutzer kann die Methode programmieren.)

Ausgang

Prozessausgang: Relais (5A@250V \sim ohmsche Last)

oder SSR-Treiber Ausgang (maximal 20mA @12V ---)

Alarmanusgang: Relais (5A@250V \sim ohmsche Last)

Versorgungsspannung:

230V \sim ($\pm 15\%$) 50/60 Hz - 3VA

115V \sim ($\pm 15\%$) 50/60 Hz - 3VA

24V \sim ($\pm 15\%$) 50/60 Hz - 3VA

(Versorgungsspannung bei der Bestellung angeben)

Prozessanzeige:

ESM-4420 : 10.1 mm rot 4-stellig LED-Anzeige

ESM-7720 : 13.2 mm rot 4-stellig LED-Anzeige

ESM-9920 : 19 mm rot 4-stellig LED-Anzeige

Anzeige für Vorwahl-Wert :

ESM-4420 : 8 mm grün 4-stellig LED-Anzeige

ESM-7720 : 9.1 mm grün 4-stellig LED-Anzeige

ESM-9920 : 10.8 mm grün 4-stellig LED-Anzeige

LEDs : PS (Prozess Vorwahlwert), PO(Prozess Ausgangsstatus-LED),

AS1, AS2 (Alarm Vorwahlwerte), AO1, AO2 (Alarm Ausgangsstatus

LEDs), LED für $^\circ\text{C}$, $^\circ\text{F}$.

Schutzklassen und Physikalische Eigenschaften

Betriebstemperatur: 0...50 $^\circ\text{C}$

Feuchtigkeit: 0-90% RH (ohne Kondensation)

Schutzklasse: vorne IP65, hinten IP 20

Gewicht:

ESM-4420 : 220 g

ESM-7720 : 270 g

ESM-9920 : 340 g

Abmessungen: ESM-4420 : (48 x 48mm, Tiefe: 95 mm)

ESM-7720 : (72 x 48mm, Tiefe: 95.5 mm)

ESM-9920 : (96 x 48mm, Tiefe: 96 mm)

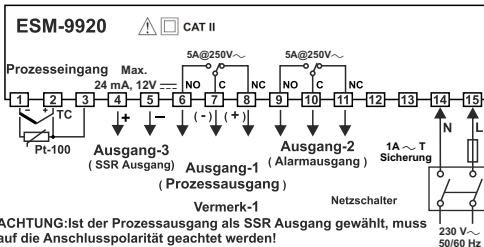
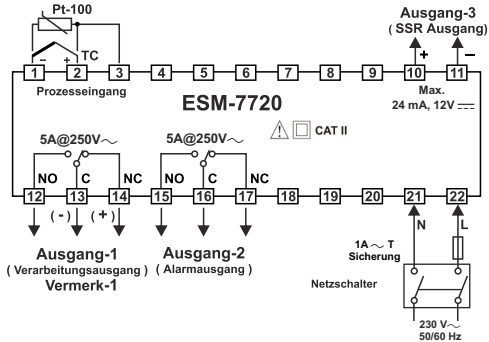
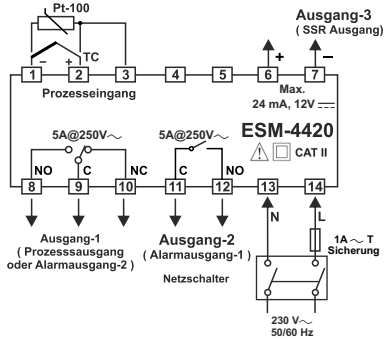
Fronttafelausschnitt:

ESM-7720 : (69 x 69 mm)

ESM-4420 : (46 x 46 mm)

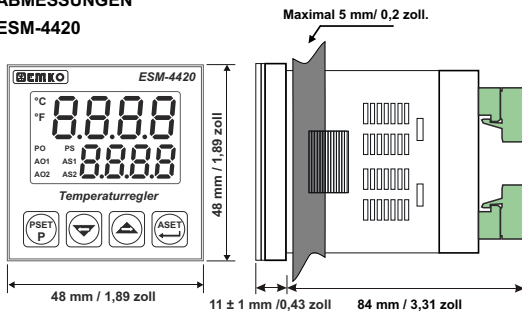
ESM-9920 : (92 x 92 mm)

Elektrische Anschlüsse



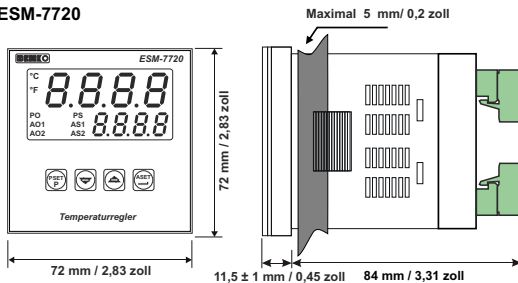
ABMESSUNGEN

ESM-4420

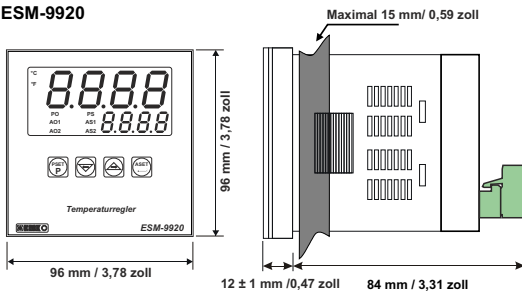


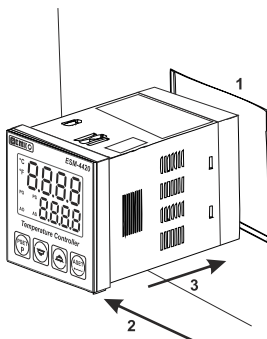
ABMESSUNGEN

ESM-7720



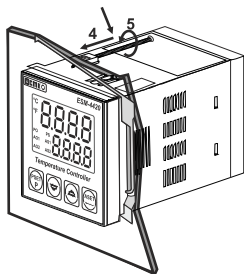
ESM-9920



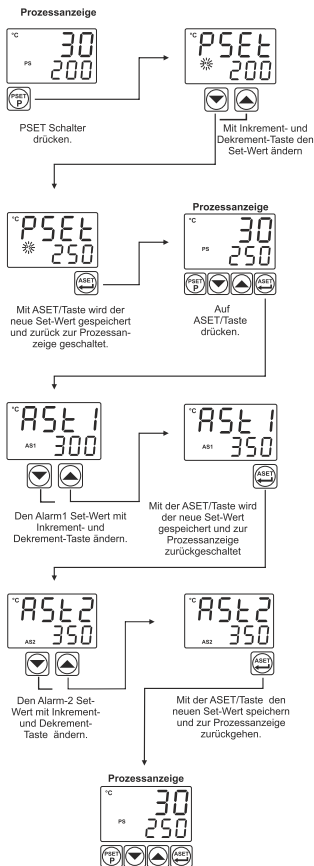



1- Den gegebenen Maßen entsprechend den Frontplattenauschnitt des zu montierenden Gerätes vorbereiten.

2- Sicherstellen, dass die Dichtung zwischen Gerät und Frontplatte eingelegt ist.



4-Die Montageklammern von hinten einsetzen und in Richtung Frontplatte schieben. Mittels der vorhandenen Schrauben das Gerät an der Frontplatte befestigen.



Bemerkung: Der Benutzer kann den Einstell Bereich durch Drücken der  Taste verlassen, ohne die geänderten Werte abzuspeichern.

Wird innerhalb von 120 Sekunden keine Aktion unternommen, verlässt das Gerät automatisch den Einstell Bereich .

Zugriff auf Programmparameter und Verlaufsschema

Prozessanzeige



Um das Programm zu verlassen, die Taste drücken.

Nach 5 Sek.



Mithilfe der ASET/Taste zur Passwortanzeige gehen.

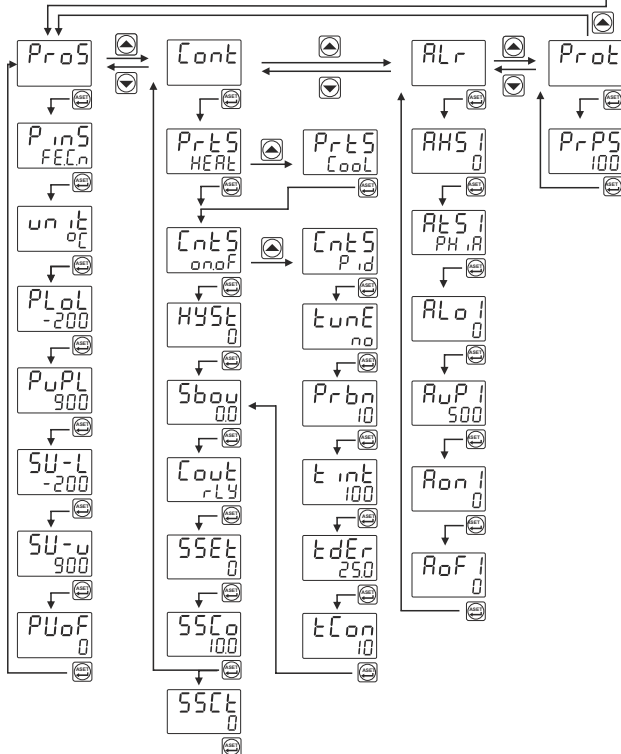
Passwortbildschirm



Mithilfe der Inkrement- und Dekrement Taste das Passwort eingeben.

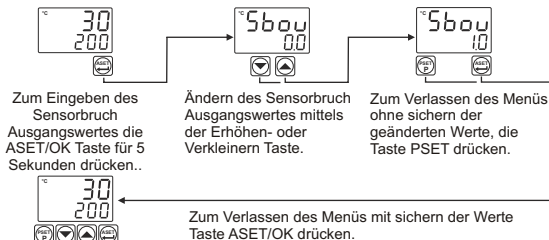


Mit der ASET/Taste das Passwort bestätigen.



Hinweis: Falls innerhalb von 120 Sekunden keine Aktivität unternommen wird, schaltet das Gerät automatisch zur Prozessanzeige zurück.

Einfaches Zugangsdiagramm für Sensorbruch Ausgangswert



Note-1: Wird innerhalb von 120 Sekunden keine Eingabe vorgenommen, geht das System automatisch in den vorherigen Betriebszustand zurück.

Note-2: Der Sensorbruch Ausgangswert kann auch im Programmiermodus eingestellt werden.

Abgleich-Vorgang

Den Abgleich (Tune) Vorgang starten.

- 1- In den Programmierbereich wechseln
- 2- Im [Lone] Menü den t_{UNE} Parameter [YES] wählen und mit der ASET/Taste zum Sichern bestätigen und den Programmereich verlassen und zurück zur Prozess wechseln
- 3- Überwachen, ob die " [Lone] " Schrift auf der Set- Anzeige leuchtet.

Bemerkung: Zum Start der Tune Vorgang muss:

Heizung Tune Vorgang: Der Prozesswert muss kleiner sein als der Prozess SET Wert, mind. 5% vom Skalenendwert.

Kühlung: Prozesswert muss größer sein als der Prozess SET Wert, mind. 5% vom Skalenendwert. Ist dies nicht der Fall [Err] blinkt für 10 Sekunden in der Anzeige.

Der Tune-Vorgang wird abgebrochen, wenn:

- 1- Der Sensor bricht;
- 2- Innerhalb von 8 Stunden der Tune-Vorgang nicht vollendet wird;
- 3- Wenn während der **Heizung** der Tune-Vorgang läuft und der Prozesswert den den Prozess-Set-Wert überschreitet;
- 4- Wenn während der **Kühlung** der Tune-Vorgang läuft und der Prozesswert den den Prozess-Set-Wert unterschreitet;
- 5- Der Benutzer während des Tune-Vorgangs den Prozess-Set-Wert ändert. In diesem Fall wird der Selbst Tune Vorgang abgebrochen und das Gerät arbeitet mit dem vorherigen PID Wert weiter, ohne diesen zu verändern.

Prns: Prozess Menü Parameter

- Pins** :Prozess Eingangs Typ Auswahl; (Werkseinstellung **FEEn**)
- FEEn** :J Typ (Fe, Cu, Ni) Thermoelement, -200 °C,900°C; -328°F,1652°F
- nLrn** :K Typ (Ni, Cr, Ni) Thermoelement, -200 °C,1300°C; -328°F,2372°F
- P13r** :R Typ (Pt13%RhPt) Thermoelement, 0°C,1700°C; 32°F,3092°F
- P10r** :S Typ (Pt10%RhPt) Thermoelement, 0°C,1700°C; 32°F,3092°F
- LULn** :T Typ (Cu, Cu, Ni) Thermoelement, -200 °C,400°C; -328°F,752°F
- rEd0** :Pt - 100,-200°C,650°C;-325°F,1202°F
- rEdi** :Pt - 100,-199.9°C,650.0°C; -199.9°F,999.9°F
- Unit** :Einheit °C oder °F kann ausgegwählt werden.(Standard: °C)
- PLoL** :Minimaler (Grenzwert) Wert der Prozessskala.Ändert sich entsprechend des Sensor Typs und Skalenbereich (Standard:-200)
- PuPL** :Maximaler (Grenzwert) Wert der Prozessskala.Ändert sich entsprechend des Sensor Typs und Skalenbereich (Standard:900)
- SU-L** :Unterer Prozess Set-Wert.Der minimale Wert des Set-Wertes wird damit definiert. Ändert sich entsprechend des Sensor Typs und Skalenbereich.(Standard:-200)
- SU-u** :Oberer Prozess Set-Wert. Der maximale Wert des Set-Wertes wird damit definiert. Ändert sich entsprechend des Sensor Typs und Skalenbereich.(Standard: 900)
- Puof** :Anzeige -Offset für Prozesswert Kann von -10% bis+10% des Skalabereiches eingestellt werden.Dieser Wert, wird dem Prozess Anzeigewert dazu addiert. (Standard :0)

Cont: Parameter für Regelung

- PrtS** :Prozessparameter kann **HEAT** (Erwärmung) oder **COOL** (Kühlung) gewählt werden. (Standard: **HEAT**)
- ContS** :Prozessregelung Auswahl kann als **onof** oder **Pid** gewählt werden. (Standard: **onof**)
- Lune** :Wenn der Tune Parameter **YES** gewählt wird, wird das Gerät automatisch die PID Parameter berechnen. Wird dargestellt wenn **ContS** = **Pid** gewählt wird.(Standard: **no**)
- Prbn** Proportional Band : Ein Wert zwischen 1% bis 100% ist möglich.Wird dargestellt wenn **ContS**=**Pid** gewählt wird.(Standard :10.0)
- Int** Integralzeit : Ein Wert zwischen 0 bis 3600 Sek. ist möglich.Wird dargestellt wenn **ContS**=**Pid** gewählt wird .(Standard :100)
- Der** Derivatzeit (Ableitung) : Ein Wert zwischen 0.0 bis 999.9 Sek. ist möglich.Kann erscheinen wenn **ContS**=**Pid** gewählt wird.(Standard: 25.0)
- Con** Prüfperiode der Ausgabe.Ein Wert zwischen 1 bis 150 Sek. ist möglich.Kann erscheinen wenn **ContS**=**Pid** gewählt wird.(Standard : 10)
- HYS** : Hysterese Parameter.Wird dargestellt wenn **ContS**=**onof** gewählt wird. Dieser Parameter kann einen Wert zwischen 0% bis 50% des Skalenwertes **PuPL** = **PLoL** haben .(Standard :0)
- Sbou** : Ausgabewert für Sensorbruch.Ein Wert zwischen 0 bis 100% ist möglich. (Standard :0.0)
- Cont** : Legt fest, welcher Ausgang als prozessausgang verwendet wird. Ist RLY gewählt , Prozessausgang; wenn Ssr gewählt ist, Prozessausgang ist SSR.(Standard: rLY)
- SSE** : Legt fest, welcher Ausgang als prozessausgang verwendet wird.Ist RLY gewählt, auszuführen ist. (Standard:0)
- SSEa** : Softstart Regelausgang. Dieser Parameter bestimmt den Prozenwert des Regelausganges (Standard : 0)
- SSEt** : Softstart Steuerzeit. Dieser Parameter bestimmt die Softstart Mode Regelzeit (Standard=0)

HLF :Parameter für Alarmenü

- RLS1** : Wert für Alaeam Hysterese Parameter. Dieser Parameter kann eine Wert zwischen 0% bis 50 % der Skalenwert ($[R_{UPL}] - [R_{LOL}]$)sein.(Standard:0)
- RLS1** : Alarmauswahl (Standard : $[PH, R]$)
- RLo1** : Er ist der Parameter für Alarm- Set- Wert Untergrenze. Kann zwischen dem Parameterwert für Prozess- Set Untergrenze und dem Parameterwert für Alarm-Set Obergrenze definiert werden.(Standard:0)
- RUP1** : Er ist der Parameter für Alarm-Set -Wert Obergrenze. Kann im Bereich zwischen der Alarm-Set Untergrenze und dem ProzessSkalen Maximum definiert werden.(Standard: 500)
- Ron1** : Alarm Einschaltverzögerung, ein Wert zwischen 0 bis 9999 Sek. ist möglich (Standard :0)
- RoF1** : Alarm Ausschaltverzögerung, ein Wert zwischen 0 bis 9998 Sek. ist möglich. Ab 9998 erscheint der Anzeige die $[LFLH]$ Schrift. Die gesperrte Alarm Ausgabe ist gewählt. (Standard : 0)
- RLS2** : Wert für Alarm Hysterese Parameter. Dieser kann einen Wert zwischen 0% bis 50 % des Skalenwertes ($[R_{UPL}] - [R_{LOL}]$)haben.(Standard:0)
- RLS2** : Alarmauswahl (Standard : $[PH, R]$)
- RLo2** : Unterer Alarm Set-Wert, kann im Bereich zwischen Minimalem Skalenwert und dem oberen Alarm Grenzwert liegen.(Standard :0)
- RUP2** : Definiert den oberen Alarm Set-Grenzwert.Kann im Bereich zwischen der Alarm-Set Untergrenze und dem maximalen Skalenwert liegen. (Standard: 500).
- Ron2** : Alarm Einschaltverzögerung, ein Wert zwischen 0 bis 9999 Sek. ist möglich (Standard :0)
- RoF2** : Alarm Ausschaltverzögerung, ein Wert zwischen 0.00 bis 9998 Sek. ist möglich. Ab 9998 erscheint der Anzeige die $[LFLH]$ Schrift. Die gesperrte Alarm Ausgabe ist gewählt. (Standard : 0)

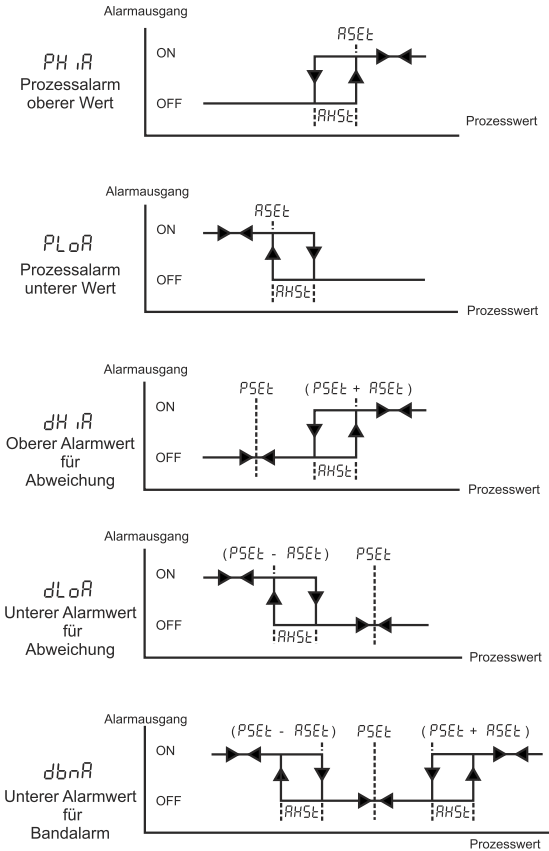
Bemerkung: Alarm-2 Parameter (AHS2, AtS2, ALo2,AuP2, Aon2, AoF2)aktiv, wenn der Cout Parameter als SSR gewählt wird.

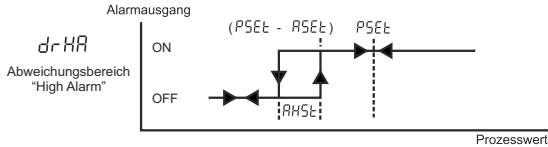
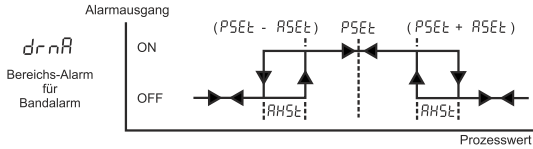
PrObt : Parameter für Alarmenü

- PrPS** : Zugriffspasswort für dan Programmbereich. Ein Wert zwischen 0 bis 9999 ist möglich.

Ist $[PrPS]=0$, die Passwortheingabe ist nicht zugänglich. Ist $[PrPS]$ ungleich 0 und der Bediener wechselt zu den Menü Seiten, ohne ein Passwort einzugeben , können alle Menüs, bis auf das Schutzmenü $[PrObt]$,eingesehen werden. Es können aber keine Parameteränderungen durchgeführt werden. (Standard wert ist 0)

Alarmenten





Fehler Meldungen



1- Störung in der Analogeingabe Falsche Sensorverbindung oder keine Sensorverbindung vorhanden.



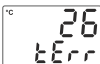
2- Wenn der Wert am Analogeingang niedriger ist als der untere Prozess Set-Wert $[P_{tOL}]$, fängt der obere Anzeigewert an zu blinken.



3- Wenn der Wert am Analogeingang höher ist als der obere Prozess Set-Wert $[P_{uPL}]$, fängt der obere Anzeigewert an zu blinken.



4- Wird als Zugang zum Programmieren ein Passwort ungleich 0 eingeben, und der Bediener aktiviert die Parameter mit ASET/OK Taste, ohne das Passwort einzugeben und versucht einen Parameter zu ändern, erscheint eine Warnmeldung im unteren Teil der Anzeige (wie nebenan gezeigt). Das System erlaubt keine Änderung ohne gültige Passwortheingabe.



5- Wenn im Programmbereich der Tune-Vorgang mit $[yLS]$ gewählt wird und die Warnung, wie links gezeigt, für 10 Sek. Blinkt, bedeutet es, dass die Startanforderungen für die Tune Funktion nicht erfüllt sind.





Vor Gerätemontage, bitte die Gebrauchsanweisung und die nachstehenden Hinweise lesen.

Im Paket sind:

- 1 Gerät
- 2 Montageclips mit Schrauben
- Garantieschein und Gebrauchsanweisung.

Vor der Montage das Gerät visuell prüfen, ob es während des Transportes beschädigt wurde. Die Montage und Benutzung muss durch Fachpersonal ausgeführt werden. Dies ist in der Verantwortung des Käufers.

Falls aufgrund eines Fehlers oder einer Störung des Gerätes eine Gefahr bestehen sollte, die Energiezufuhr des Systems abschalten und alle elektrischen Verbindungen des Gerätes vom System entfernen.

Im Gerät befindet sich keine Sicherung und kein Netzschalter. Der Käufer muss an die Spannungszuführung des Gerätes einen Netzschalter und eine Sicherung anbringen.

Achten Sie darauf dass die Versorgungsspannung der Gerätespezifikation entspricht um eine Beschädigung oder Zerstörung zu vermeiden.

Um einen elektrischen Schock und ähnliche Unfälle zu vermeiden, muss das Gerät und System vor der Verkabelung der Anschlüsse vom Stromnetz genommen werden.

Am Gerät dürfen keine Veränderungen vorgenommen und das Gerät nicht repariert werden. Eingriffe am Gerät können eine fehlerhafte Funktion, Beschädigung des Gerätes oder Systems, sowie elektrischen Schock oder Feuer auslösen.

Das Gerät darf auf keinen Fall in der Nähe von brennbaren und explosiven Gasen verwendet werden.

Bitte achten Sie bei der Montage des Gerätes auf scharfe Kanten, Sie können sich dabei möglicherweise verletzen.

Das Gerät darf nur mit dem mitgeliefertem Befestigungsmaterial an das System montiert werden. Das Gerät nicht mit ungeeigneten Verbindungsteilen montieren. Das Gerät mit den mitgelieferten Verbindungsteilen so montieren, dass es fest mit der Montageplatte verbunden ist.

Im Falle der Missachtung dieser Bedienungsanleitung liegt die Verantwortung im Schadensfalle beim Anwender.

Garantie

EMKO Elektronik gewährleistet dass das Gerät frei von Material- und Produktionsfehlern ist. Diese Gewährleistung gilt für einen Zeitraum von 2 Jahren ab Lieferdatum und wird mit dem Vorbehalt gewährt, dass der Kunde den im Garantieschein und Bedienungsanleitung angegebenen

Instandhaltung

Das Gerät darf nur durch ausgebildete Personen repariert werden. Vor Zugriff auf Innenteile, die Stromzuführung des Gerätes ausschalten.

Gerät nicht mit Kohlenwasserstoff (wie Mineralöl und Trichloräthylen) enthaltenden Lösungen reinigen. Das Reinigen mit diesen Lösungen, kann die mechanische Sicherheit des Gerätes vermindern.

Für das Reinigen des Gehäuses, ein mit Äthylalkohol oder Wasser befeuchtetes Tuch verwenden.

Sonstige Angaben

Herstellerangaben:

Emko Elektronik Sanayi ve Ticaret A.Ş.
Demirtaş Organize Sanayi Bölgesi Karanfil Sk. No:6 16369
BURSA / TURKIYE

Tel : +90 224 261 1900

Fax : +90 224 261 1912

www.emkoelektronik.com.tr

Bestellungsinformationen

ESM-4420 (48x48 DIN 1/16)
ESM-4920 (96x48 DIN 1/8)
ESM-7720 (in 72x72 DIN Maßen)
ESM-9420 (48x96 DIN 1/8)
ESM-9920 (96x96 DIN 1/4)

A	BC	D	E	/	FG	HI	/	U	V	W	Z
		0	1	/	01	02	/	0	0	0	0

A Versorgungsspannung

2	24V ~ 50/60Hz or 24V --- (± %15)
3	24V ~ (± %15) 50/60Hz
4	115V ~ (± %15) 50/60Hz
5	230V ~ (± %15) 50/60Hz
9	Kundenspezifisch

BC Eingangs Typ

20 Konfigurierbar (Tabelle-1)

Skala

(Tabelle-1)

D Serielle Kommunikation

0 Nicht vorhanden

E Ausgabe-1(Alarm)

1 Relaisausgang (5A@250V ~ ohmsche Last)

FG Ausgang-2(Prozess oder Alarm)

01 Relaisausgang (5A@250V ~ ohmsche Last)

HI Ausgang-3(Prozess)

02 SSR-Treiber ausgang max.20mA @12V ---

Tabelle-1

BC Eingangs Typ (TC)	Skala(°C)	Skala(°F)
23 J,Fe CuNi IEC584.1(ITS90)	-200°C,900°C	-328°F,1652°F
25 K,NiCr Ni IEC584.1(ITS90)	-200°C,1300°C	-328°F,2372°F
27 R,Pt13%Rh Pt IEC584.1(ITS90)	0°C,1700°C	32°F,3092°F
28 S,Pt10%Rh Pt IEC584.1(ITS90)	0°C,1700°C	32°F,3092°F
29 T,Cu CuNi IEC584.1(ITS90)	-200°C,400°C	-328°F,752°F
BC Eingangs Typ (RTD)	Skala(°C)	Skala(°F)
39 PT 100, IEC751(ITS90)	-200°C,650°C	-328°F,1202°F
40 PT 100, IEC751(ITS90)	-199.9°C,650.0°C	-199.9°F,999.9°F



Wir danken Ihnen, dass Sie sich für die elektronischen Produkte von EMKO entschieden haben, bitte besuchen Sie unsere Webseite, wenn Sie die detaillierte Gebrauchsanweisung laden möchten.

www.emkoelektronik.com.tr



RÉGULATEURS DE TEMPÉRATURE PID ESM-XX20

ESM-4420 , ESM-7720 , ESM-9920

Régulateurs de température PID

- Affichage de process 4 chiffres (PV) et SET 4 chiffres (SV)
- Entrée de process (TC, RTD)
- Formes de contrôle ON/OFF, P, PI, PD et PID programmables
- Adaptation des coefficients PID au système avec Réglage Adaptatif (Réglage par réponses graduées)
- Fonctions de chauffage ou de refroidissement programmable pour Sortie de contrôle
- Fonctions d'alarme programmables pour les sorties d'alarme

Les régulateurs de température ESM sont conçus pour mesurer et réguler les valeurs d'un process. Ils peuvent être utilisés dans de nombreuses applications, grâce à leur fonctions basées sur les entrées de mesure TC et RTD, leurs sorties de contrôle multifonction, leurs fonctions d'alarme sélectionnables.

Ils sont principalement utilisés dans les industries du verre, du plastique, la pétrochimie, le textile, l'automobile, la construction de machines. Le contrôle avancé inclut les fonctions ON-OFF, P, PI, PD, PID et réglage adaptatif PID.

SPÉCIFICATIONS**Entrée de Process** : TC, RTD**Thermocouple (TC)** : J, K, R, S ve T (IEC584.1)(ITS90)**Thermorésistance (RTD)** : PT-100 (IEC751)(ITS90)**Plage de mesure** : Veuillez consulter le tableau 1 pour sélectionner l'échelle et le type d'entrée.**Précision** : $\pm 0,25\%$ à pleine échelle pour thermocouple et thermorésistance**Compensation de soudure froide** : Automatiquement $\pm 0,1^{\circ}\text{C} / 1^{\circ}\text{C}$.**Compensation de ligne** : Maximum 10Ohm**Protection de coupure de capteur** : Excellente**Cycle d'échantillonnage** : 3 échantillons par seconde**Filtre d'entrée** : 1,0 seconde.**Forme de contrôle** : ON/OFF, P, PI, PD ou PID (forme de contrôle programmable par l'utilisateur)**SORTIES****Sortie Process** : Relais (5A@250V~ sur charge résistive) ou Pilote de sortie SSR (Maximum 24mA, Max. 12V ---)**Sortie d'alarme** : Relais (5A@250V~ sur charge résistive) ou Pilote de sortie SSR (Sortie d'alarme 2) (Maximum 24mA, Max. 12V ---)**TENSION D'ALIMENTATION**230V ~ ($\pm 15\%$) 50/60 Hz - 3VA115V ~ ($\pm 15\%$) 50/60 Hz - 3VA24V ~ ($\pm 15\%$) 50/60 Hz - 3VA

(À spécifier dans la commande)

AFFICHAGE**Affichage de process** :

ESM-4420 : 10,1 mm Afficheur à LED rouges 4 chiffres

ESM-7720 : 13,2 mm Afficheur à LED rouges 4 chiffres

ESM-9920 : 19 mm Afficheur à LED rouges 4 chiffres

Affichage des valeurs de consigne :

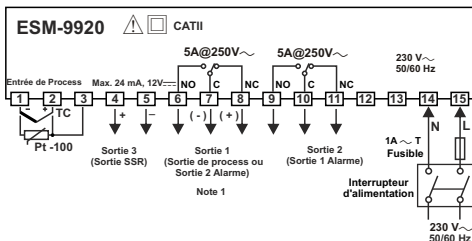
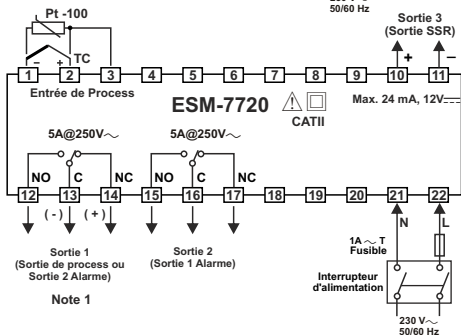
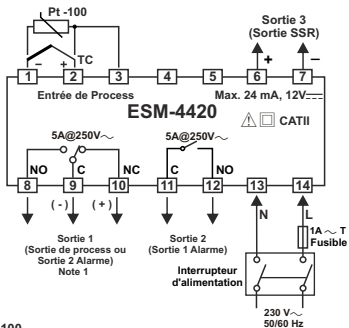
ESM-4420 : 8 mm Affichage LED verts à 4 chiffres

ESM-7720 : 9,1 mm Affichage LED verts à 4 chiffres

ESM-9920 : 10,8 mm Affichage LED verts à 4 chiffres

LED : PS (valeur de consigne du process), PO (LED État sortie du process) , AS1, AS2 (valeurs de consigne d'alarme), AO1, AO2 (LED États sortie d'alarme), LED $^{\circ}\text{C}$, $^{\circ}\text{F}$ **SPÉCIFICATIONS PHYSIQUES ET ENVIRONNEMENTALES****Température d'utilisation** : 0...50°C**Humidité** : 0-90% HR (sans condensation)**Indice de protection** : IP65 avant, IP20 arrière**Poids** :
ESM-4420 : 220 g.
ESM-7720 : 270 g.
ESM-9920 : 340 g.**Dimensions** : ESM-4420 : (48 x 48 mm, Prof. :95 mm)
ESM-7720 : (72 x 72 mm, Prof.: 95,5 mm)
ESM-9920 : (96 x 96 mm, Prof.: 96 mm)**Découpe de panneau**:
ESM-4420 : (46 x 46 mm)
ESM-7720 : (69 x 69 mm)
ESM-9920 : (92 x 92 mm)

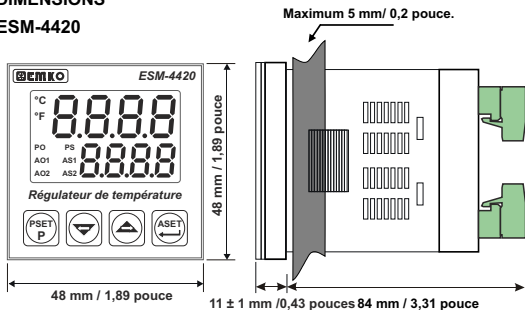
Connexions électriques



Note 1 : Si la sortie Process est Sortie de pilote SSR, vérifiez que les broches (+) et (-) sont correctement connectées.

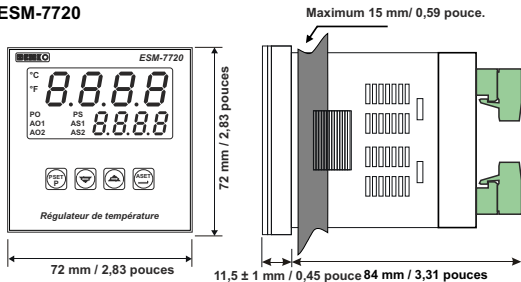
DIMENSIONS

ESM-4420

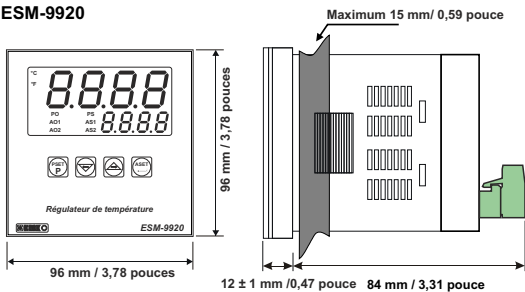


DIMENSIONS

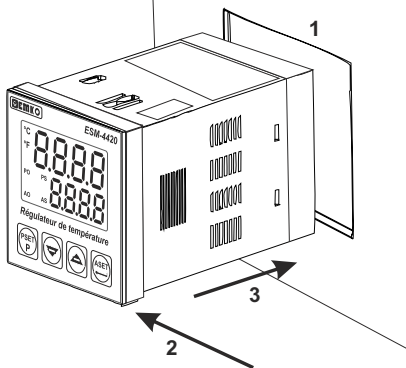
ESM-7720



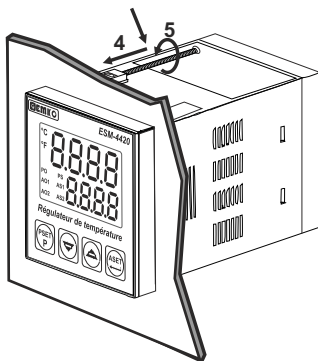
ESM-9920



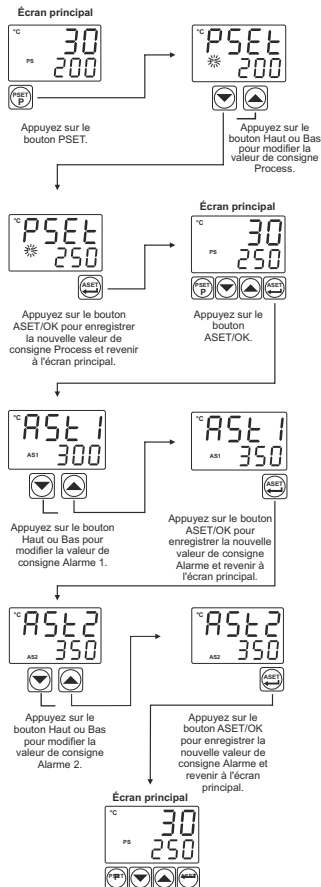
MONTAGE SUR PANNEAU



- 1- Avant de monter le dispositif dans votre panneau, vérifiez que la découpe existante correspond.
- 2- Vérifiez la position du joint de panneau avant.
- 3- Insérez le dispositif dans son emplacement. Si les fixations sont sur l'unité, elles doivent être démontées avant d'insérer l'unité dans le panneau.

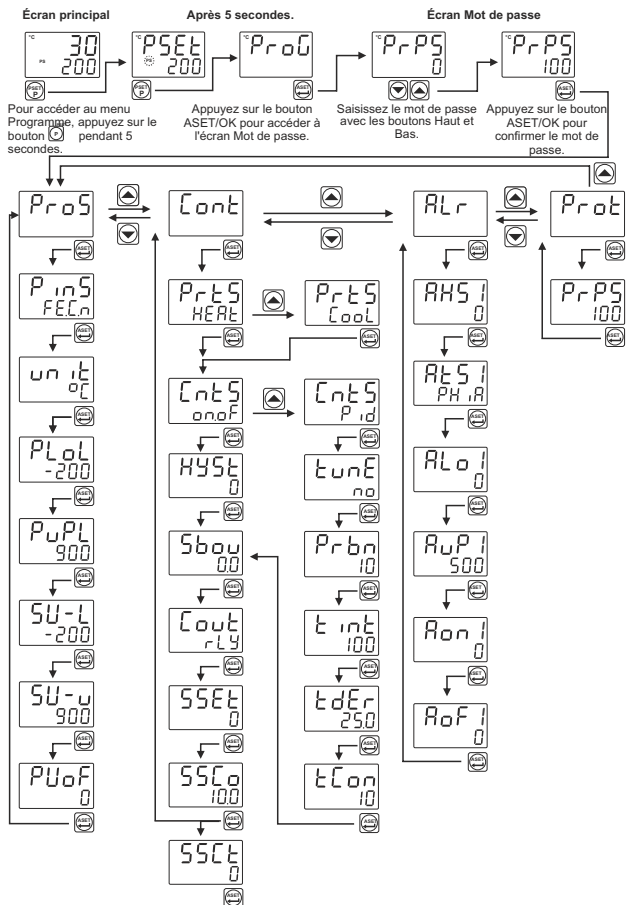


- 4- Insérez l'unité dans l'emplacement par la face avant du panneau.
- 5- Insérez les fixations dans les orifices sur le haut et le côté du dispositif. Serrez les vis pour qu'il soit fermement établi dans le panneau.



Note: L'utilisateur peut quitter la section Valeur de consigne sans enregistrer les valeurs en appuyant sur le bouton . Si aucune activité n'intervient pendant 120 secondes, le dispositif quitte automatiquement la section Valeur de consigne.

Schéma d'accès aux paramètres du programme



Note : Après 120 secondes d'inactivité dans le menu Programmation, le dispositif affiche l'écran Opération.

Réglage :

Pour lancer le réglage

- 1- Accédez à la section Programmation
- 2- Sélectionnez **[YES]**, paramètre **[TEMP]** dans le menu **[CONF]**. Appuyez sur le bouton ASET/OK pour enregistrer le paramètre et revenir à l'écran principal Opération.
- 3- Le paramètre "**[TEMP]**" clignote dans l'écran SET.

Note - Pour lancer le réglage

Réglage du chauffage: La valeur Process doit être inférieure à la valeur de consigne du process, au moins 5% de la pleine échelle.

Réglage du refroidissement : La valeur Process doit être supérieure à la valeur de consigne du process, au moins 5% de l'échelle totale. Si cette condition n'est pas satisfaite, **[ERR]** clignote pendant 10 secondes.

Le réglage **Adaptatif** est annulé dans les conditions suivantes :

- 1- Si le capteur se déclenche
- 2- Si le réglage Adaptatif n'est pas terminé en huit heures
- 3- Si la valeur Process est supérieure à la valeur de consigne du process pendant le réglage Adaptatif du chauffage
- 4- Si la valeur Process est inférieure à la valeur de consigne du process pendant le réglage Adaptatif du refroidissement
- 5- Si l'utilisateur modifie la valeur de consigne du process pendant le réglage **Adaptatif**
Le réglage **Adaptatif** est alors annulé et le dispositif utilise les paramètres PID précédents sans les modifier.

Process : Paramètre du menu Process

[P IN S] : Sélection type d'entrée du process (Par défaut : **[FEEN]**)

[FEEN] : Type J (Fe, Cu, Ni) Thermocouple, -200°C, 900°C ; -328°F, 1652°F

[NCRN] : Type K (Ni, Cr, Ni) Thermocouple, -200°C, 1300°C ; -328°F, 2372°F

[P13R] : Type R (Pt13%RhPt) Thermocouple, 0°C, 1700°C ; 32°F, 3092°F

[P10R] : Type S (Pt10%RhPt) Thermocouple, 0°C, 1700°C ; 32°F, 3092°F

[CUCN] : Type T (Cu,Cu,Ni) Thermocouple, -200°C, 400°C ; -328°F, 752°F

[RTD0] : Pt - 100, -200°C, 650°C ; -328°F, 1202°F

[RTD1] : Pt - 100 , -199,9°C, 650,0°C ; -199,9°F, 999,9°F

[UNIT] : Sélection d'unité. Choisir °C ou °F. (Par défaut : °C)

[PLOL] : Valeur minimale (limite basse) de l'échelle opérationnelle. Elle change selon le type d'entrée et l'échelle du process. (Par défaut : -200)

[PUPL] : Valeur maximale (limite haute) de l'échelle opérationnelle. Elle change selon le type d'entrée et l'échelle du process. (Par défaut : 900)

SU-L : Limite basse de la valeur de consigne Process. La valeur de consigne minimale est réglée par ce paramètre. Elle change selon le type d'entrée et l'échelle du process. (Par défaut : -200)

SU-U : Limite haute de la valeur de consigne Process. La valeur de consigne maximale est réglée par ce paramètre. Elle change selon le type d'entrée et la pleine échelle du process. (Par défaut : 900)

PUDF : Écart de la valeur Process. Peut être réglé de -10% à 10% de l'échelle. Cette valeur est ajoutée à la valeur Process affichée. (Par défaut : 0)

Contrôle: Paramètres du menu Contrôle

PrctS : Sélection du type de process. Il peut être **HERTE** ou **COOL** (Par défaut : **HERTE**)

CrctS : Sélection du type de contrôle du process. Il peut être **ONOFF** ou **P_id**.
(Par défaut : **ONOFF**)

tuNE : Si le paramètre de réglage est réglé sur **YES**, le calcul des paramètres PID démarre automatiquement. Ce paramètre est affiché si **CrctS** = **P_id**. (Par défaut: **no**)

Prbn : Bande proportionnelle. Elle peut être réglée de 1% à 100%.

Si **CrctS** = **P_id**, ce paramètre est affiché. (Par défaut : 10,0)

Time : Durée totale. Il peut être réglé de 0 à 3600 secondes.

Si **CrctS** = **P_id**, ce paramètre est affiché. (Par défaut : 100)

tdEr : Délai dérivé. Il peut être réglé de 0,0 à 999,9 secondes.

Si **CrctS** = **P_id**, ce paramètre est affiché. (Par défaut : 25,0)

tfod : Période de contrôle de sortie : Elle peut être réglée de 1 à 150 secondes.

Si **CrctS** = **P_id**, ce paramètre est affiché. (Par défaut : 10)

HYSL : Valeur Hystérésis. Elle peut être réglée entre 0% et 50% de la pleine échelle.

(**PUPU** - **PLoL**), si **CrctS** = **ONOFF**, ce paramètre sera affiché (Par défaut : 0)

Sbou : Valeur de sortie du déclenchement du capteur. Il peut être réglé de 0% à %.
(Par défaut : 0,0)

Coct : Ce paramètre détermine la sortie qui sera utilisée comme contrôle de process. Si LY est sélectionnée, la sortie Relais sera la sortie du process. Si SSR est sélectionnée, la sortie SSR sera la sortie du process. (Par défaut : rLY)

SSEt : Valeur de consigne du démarrage progressif. Le mode Démarrage progressif est activé jusqu'à ce que la température atteigne la valeur de consigne pour le démarrage progressif. (Par défaut : 0)

SSCo : Sortie de contrôle de démarrage progressif. Ce paramètre détermine le pourcentage de la sortie Contrôle du démarrage progressif. (Par défaut : 10,0)

SSLt : Délai de contrôle de démarrage progressif. Ce paramètre détermine le délai du mode Démarrage progressif. (Par défaut : 0)

ALARME: Paramètres du menu Alarme

RHSI : Valeur Hystérésis d'alarme. Elle peut être réglée entre 0% et 50% de la pleine échelle (**RUPU** - **RLoL**). (Par défaut : 0)

RLSI : Sélection du type d'alarme. (Par défaut : **PH ,R**)

ALo1 : Paramètre d'alarme limite basse. Il peut être réglé entre la valeur minimale de l'échelle opérationnelle et la limite haute de l'alarme. (Par défaut : 0)

AuP1 : Paramètre d'alarme limite haute. Il peut être réglé entre la limite basse de l'alarme et la valeur maximale de l'échelle opérationnelle. (Par défaut : 500)

Aon1 : Délai d'activation d'alarme. Il peut être réglé entre 0 à 9999 secondes.
(Par défaut : 0)

ALoF1 : Délai d'extinction d'alarme. Il peut être réglé entre 0 à 9998 secondes. S'il est supérieur à 9998, **LECH** est affiché et la sortie Verrouillage d'alarme est est activée.(Par défaut : 0)

AHS2 : Valeur Hystérésis d'alarme. Peut être réglé entre 0% et 50% de la pleine échelle **ALo1**

ATS2 : Sélection du type d'alarme. (Par défaut : **PH,RI**)

ALo2 : Paramètre d'alarme limite basse. Il peut être réglé entre la valeur minimale de l'échelle opérationnelle et la limite haute de l'alarme. (Par défaut : 0)

AuP2 : Paramètre d'alarme limite haute. Il peut être réglé entre la limite basse de l'alarme et la valeur maximale de l'échelle opérationnelle. (Par défaut : 500)

Aon2 : Délai d'activation d'alarme. Il peut être réglé entre 0 à 9999 secondes.
(Par défaut : 0)

AoF2 : Délai d'extinction d'alarme. Il peut être réglé entre 0 à 9998 secondes. S'il est supérieur à 9998, **LECH** est affiché et la sortie Verrouillage d'alarme est activée.
(Par défaut : 0)

NOTE: Les paramètres Alarme 2 (AHS2, ATS2, ALo2, AuP2, Aon2, AoF2) sont activés si le paramètre Cout est réglé sur SSR.

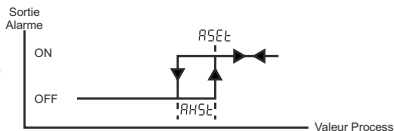
Prot Paramètre du menu Protection

PrPS : Mot de passe pour accéder à la section Programmation. Il peut être réglé de 0 à 9999.

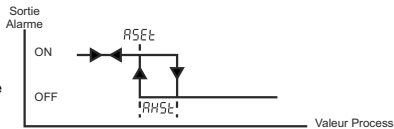
Si **PrPS** est 0, l'écran Mot de passe n'est pas affiché. Si **PrPS** n'est pas égal à 0 et que l'utilisateur accède au menu sans saisir le mot de passe, il pourra lire tous les menus sauf le menu Protection **Prot**. Il ne pourra pas modifier aucun des paramètres (Valeur par défaut : 0).

Types d'alarmes

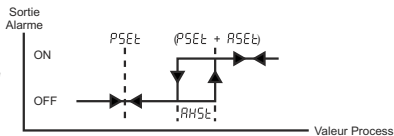
PH *AR*
Alarme haute
du Process



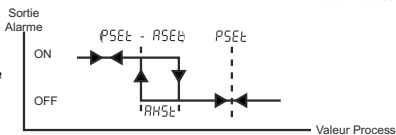
PL *AR*
Alarme basse
du Process



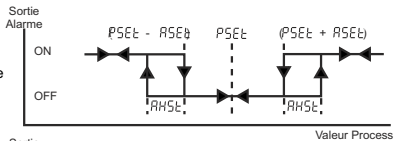
dH *AR*
Alarme haute
de Déviation



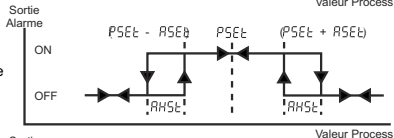
dL *AR*
Alarme basse
de Déviation



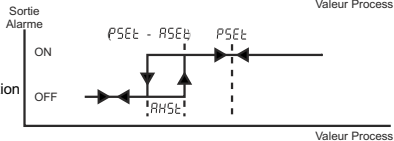
db *AR*
Alarme Bande
de déviation



dr *AR*
Alarme Gamme
de déviation



dr *HR*
Alarme haute
Gamme de déviation





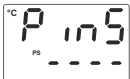
1 - Erreur du capteur dans les entrées analogiques. La connexion du capteur est erronée ou la connexion au capteur n'est pas établie.



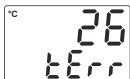
2- Si la valeur de l'entrée analogique est inférieure au paramètre de la limite basse $[P_{LoL}]$ du process, la valeur affichée en haut de l'écran clignote (comme illustré).



3- Si la valeur de l'entrée analogique est supérieure au paramètre de la limite haute $[P_{uPL}]$ du process, la valeur affichée en haut de l'écran clignote (comme illustré).



4 - Dans la section Programmation, si le mot de passe n'est pas "0" et que l'utilisateur accède aux paramètres avec le bouton ASET/OK sans saisir le mot de passe mais souhaite modifier un paramètre, un avertissement est affiché en bas de l'écran (illustré ci-contre). Aucune modification n'est possible sans saisir le mot de passe.



5- Dans la section Programmation, lorsque le Réglage est activé $[YES]$, si l'avertissement ci-contre à gauche clignote dans l'écran Opération pendant 10 secondes, cela signifie que les conditions nécessaires à un réglage ne sont pas réunies.



Avant d'installer ce produit, veuillez lire attentivement le manuel d'utilisation et les avertissements ci-dessous.

Contenu :

- Unité monobloc
- Fixation à deux éléments
- Manuel d'utilisation

Avant son installation, vérifiez visuellement que le produit n'a pas été endommagé pendant le transport. Il incombe à l'acheteur de faire installer ce produit par un technicien qualifié en électricité et mécanique.

En cas de risque d'accident causé par un défaut ou une panne de ce produit, coupez le courant et isolez ce produit du système électrique.

Cette unité est normalement fournie sans fusible ou interrupteur d'alimentation. Utilisez l'interrupteur d'alimentation et le fusible du système le cas échéant.

Vérifiez que la tension d'alimentation correspond aux caractéristiques de cette unité pour éviter une panne ou de la détériorer.

Le courant doit rester couper jusqu'à ce que tout le câblage soit terminé pour éviter tout risque de court-circuit ou de choc électrique.

Ne jamais tenter d'ouvrir, démonter, modifier, réparer ce produit. Toute tentative d'ouverture de ce produit peut provoquer une panne, un choc électrique, un incendie.

Ne pas utiliser ce produit dans une atmosphère dangereuse, combustible ou explosive. Pendant l'installation mécanique, prenez les précautions nécessaires pour ne pas vous blesser sur les bords irréguliers de l'orifice dans le panneau métallique.

Vous devez utiliser les pinces de fixation du produit pour l'installer. Ce produit ne doit pas être installé sans les fixations appropriées. Prenez les précautions nécessaires pour que ce produit ne puisse pas tomber pendant le montage. Il vous incombe de vérifier que ce produit est toujours installé et utilisé conformément à son manuel d'utilisation.

Garantie

EMKO Elektronik garantit que ce produit est fourni sans défaut de fabrication ou de matériau. Cette garantie est valide pendant deux ans. La période de garantie débute à la date de livraison.

Cette garantie reste valide si les conditions et les responsabilités stipulées dans la garantie et le manuel d'utilisation sont intégralement respectées par le client.

Maintenance

Les opérations de maintenance et de réparation doivent uniquement être confiées à un technicien spécialisé. Coupez le courant avant d'accéder aux composants. Ne pas nettoyer le boîtier avec un solvant à base d'hydrocarbure (pétrole, trichloréthylène, etc.). L'utilisation d'un solvant peut réduire la fiabilité mécanique du produit. Utilisez un chiffon légèrement imprégné d'eau ou d'alcool éthylique pour nettoyer le boîtier en plastique.

Autres informations

Coordonnées du fabricant :

Emko Elektronik Sanayi ve Ticaret A.Ş.

Demirtaş Organize Sanayi Bölgesi Karanfil Sk. No : 6 16369

BURSA/TURQUIE

Tél. : +90 224 261 1900

Fax : +90 224 261 1912

Service de maintenance et de réparation :

Emko Elektronik Sanayi ve Ticaret A.Ş.

Demirtaş Organize Sanayi Bölgesi Karanfil Sk. No : 6 16369

BURSA/TURQUIE

Tél. : +90 224 261 1900

Fax : +90 224 261 1912

Informations de commande

ESM-4420 (48x48 DIN 1/16)

ESM-7720 (72x72 DIN)

ESM-9920 (96x96 DIN 1/4)

A	BC	D	E	/	FG	HI	/	U	V	W	Z
		0		/	01	02	/	0	0	0	0

A	Tension d'alimentation
2	24V \sim 50/60Hz or 24V --- (\pm % 15)
3	24V \sim (\pm % 15) 50/60Hz
4	115V \sim (\pm % 15) 50/60Hz
5	230V \sim (\pm % 15) 50/60Hz
9	Client

BC	Type d'entrée	Echelle
20	Configurable (Tableau 1)	(Tableau 1)

D	Communication série
0	Aucun

E	Sortie 1 (Process ou Alarme)
1	Sortie relais (5A@250V \sim sur charge résistive)
2	Pilote de sortie SSR (Max. 24mA, Max. 12V ---)

FG	Sortie 2 (Alarme)
01	Sortie relais (5A@250V \sim sur charge résistive)

HI	Sortie 3 (Process)
02	Pilote de sortie SSR (Max. 24mA, 1Max. 12V ---)

Tableau 1

BC	Type d'entrée (TC)	Échelle (°C)	Echelle (°F)
23	J, Fe CuNi IEC584.1(ITS90)	-200°C, 900°C	-328°F, 1652°F
25	K, NiCr Ni IEC584.1(ITS90)	-200°C, 1300°C	-328°F, 2372°F
27	R, Pt13%Rh Pt IEC584.1(ITS90)	0°C, 1700°C	32°F, 3092°F
28	S, Pt10%Rh Pt IEC584.1(ITS90)	0°C, 1700°C	32°F, 3092°F
29	T, Cu CuNi IEC584.1(ITS90)	-200°C, 400°C	-328°F, 752°F

BC	Type d'entrée (RTD)	Échelle (°C)	Echelle (°F)
39	PT 100, IEC751(ITS90)	-200°C, 650°C	-328°F, 1202°F
40	PT 100, IEC751(ITS90)	-199.9°C, 650,0°C	-199,9°F, 999,9°F



Votre partenaire technologique

Nous vous remercions d'avoir choisi les produits Emko Elektronik. Vous pouvez télécharger le manuel d'utilisation sur notre site internet.

www.emkoelektronik.com.tr



UNIDADES DE CONTROL DE TEMPERATURA DE PID ESM-XX20

ESM-9920, ESM-9420, ESM-7720, ESM-4920, ESM-4420

Unidades de control de temperatura de PID

- Pantalla de 4 dígitos para el valor de proceso (PV) y pantalla de 4 dígitos para el valor definido (SV)
- Entrada de proceso (TC, RTD)
- Formas de control ON/OFF, P, PI, PD y PID programables
- Adaptación de los coeficientes PID en el sistema con funcionamiento de auto-ajuste (ajuste de la respuesta de nivel)
- Funciones de frío o calor programables para la salida de control
- Funciones de alarma seleccionables para la salida de alarma

Los controladores de temperatura de la serie ESM están diseñados para medir y controlar un valor de proceso. Se pueden utilizar en muchas aplicaciones con la entrada de medición de temperatura TC y RTD, las salidas de control multifunción y las funciones de alarma seleccionables.

Se utilizan principalmente en sectores de producción de máquinas, automoción, textiles, petroquímica, plástico y vidrio. El control preciso y avanzado se realiza con las funciones ON-OFF, P, PI, PD, PID y PID de auto-ajuste.

ESPECIFICACIONES**Entrada de proceso:** TC, RTD

Termopar (TC): Termorresistencia J, K, R, S y T (IEC584.1)(ITS90) (RTD): PT-100 (IEC751)(ITS90)

Intervalo de medición: Consulte en la Tabla-1 la selección del tipo de entrada y la escala.

Precisión: $\pm 0,25\%$ de escala para el termopar y la termorresistencia**Compensación de junta fría:** Automáticamente $\pm 0,1\text{ }^{\circ}\text{C} / 1\text{ }^{\circ}\text{C}$ **Compensación de línea:** 10 Ohm como máximo

Protección contra roturas del sensor: Mejorada

Ciclo de muestreo: 3 muestras por segundo**Filtro de entrada:** 1,0 segundos.**Forma de control:** ON/OFF (Encendido/Apagado), P, PI, PD o PID (la forma de control la puede programar el usuario)**SALIDA****Salida del proceso:** Relé (5 A @ 250 V \sim en la carga resistiva) o salida de la unidad de control del SSR (máx. 24 mA, máx. 12 V ---)**Salida de alarma:** Relé (5 A @ 250 V \sim en la carga resistiva) o salida de la unidad de control del SSR(Salida de alarma - 2) (Máximo 24 mA, máx. 12 V ---)**TENSIÓN DE ALIMENTACIÓN**24 V \sim ($\pm 15\%$) 50/60 Hz - 3 VA o 24 V --- ($\pm 15\%$) -3 VA230 V \sim ($\pm 15\%$) 50/60 Hz - 3 VA115 V \sim ($\pm 15\%$) 50/60 Hz - 3 VA24 V \sim ($\pm 15\%$) 50/60 Hz - 3 VA

(Se debe determinar en el pedido)

PANTALLA**Pantalla de proceso:**

ESM-4420: Pantalla LED 10,1 mm roja de 4 dígitos

ESM-4920: Pantalla LED 13,2 mm roja de 4 dígitos

ESM-7720: Pantalla LED 13,2 mm roja de 4 dígitos

ESM-9420: Pantalla LED 10,1 mm roja de 4 dígitos

ESM-9920: Pantalla LED 19 mm roja de 4 dígitos

Pantalla del valor definido:

ESM-4420: Pantalla LED 8 mm verde de 4 dígitos

ESM-4920: Pantalla LED 8 mm verde de 4 dígitos

ESM-7720: Pantalla LED 9,1 mm verde de 4 dígitos

ESM-9420: Pantalla LED 8 mm verde de 4 dígitos

ESM-9920: Pantalla LED 10,8 mm verde de 4 dígitos

Led:

As1, AS2 (Valores definidos de la alarma), AO1, AO2 (Estado de la salida de la alarma)

CALIFICACIONES AMBIENTALES y ESPECIFICACIONES FÍSICAS**Temperatura de funcionamiento:** de 0 a 50 $^{\circ}\text{C}$ **Humedad:** 0-90 % de humedad relativa (sin condensación)**Clase de Protección:** IP65 en la parte delantera, IP20 en la parte trasera**Peso:** ESM-4420: 220 g, ESM-4920: 240 g

ESM-7720: 270 g, ESM-9420: 230 g

CALIFICACIONES AMBIENTALES y ESPECIFICACIONES FÍSICAS

Temperatura de funcionamiento : de 0 a 50 °C

Humedad : 0-90 % de humedad relativa (sin condensación)

Clase de Protección : IP65 en la parte delantera, IP20 en la parte trasera

Peso: ESM-4420: 220 g, ESM-4920: 240 g

ESM-7720: 270 g, ESM-9420: 230 g

Dimensiones:

ESM-4420: (48 x 48 mm, profundidad: 95 mm)

ESM-4920: (96 x 48 mm, profundidad: 94,5 mm)

ESM-7720: (72 x 72 mm, profundidad: 95,5 mm)

ESM-9420: (48 x 96 mm, profundidad: 94,5 mm)

ESM-9920: (96 x 96 mm, profundidad: 96 mm)

Encastre del panel:

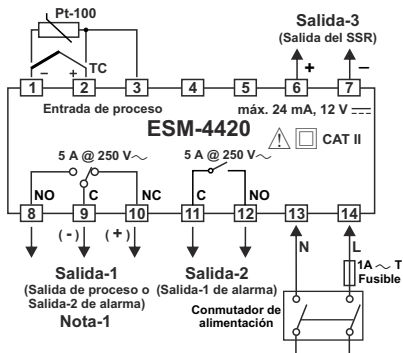
ESM-4420: (46 x 46 mm)

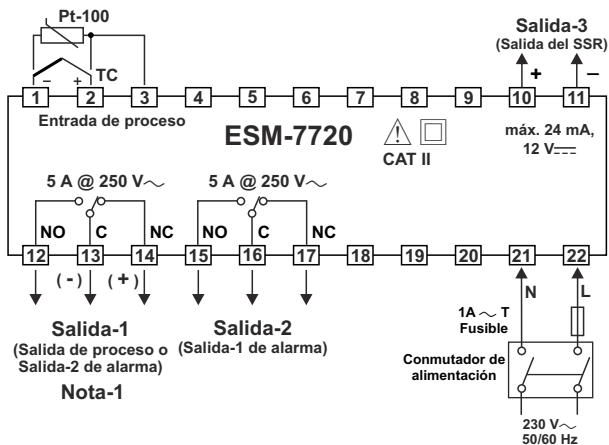
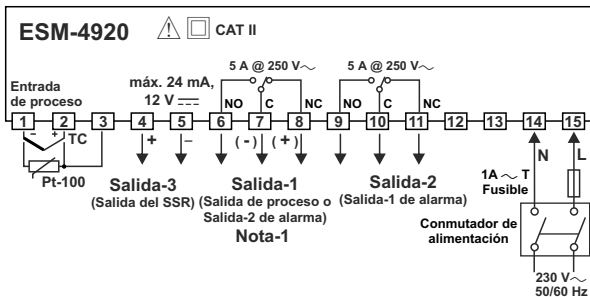
ESM-4920: (92 x 46 mm)

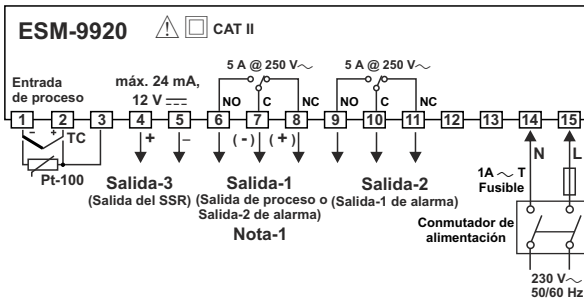
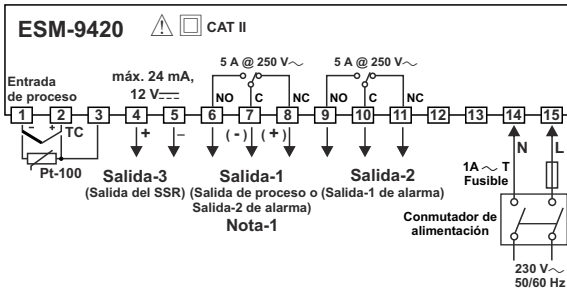
ESM-7720: (69 x 69 mm)

ESM-9420: (46 x 92 mm)

ESM-9920: (92 x 92 mm)

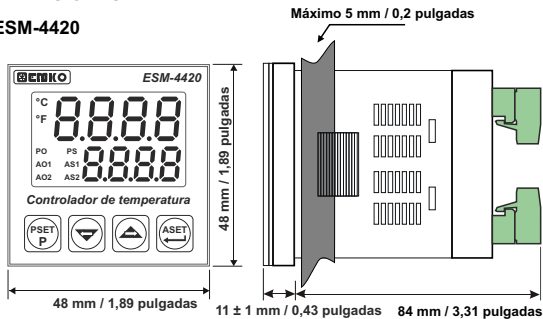




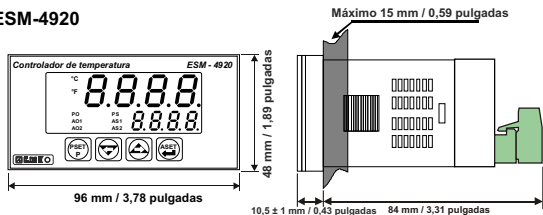


DIMENSIONES

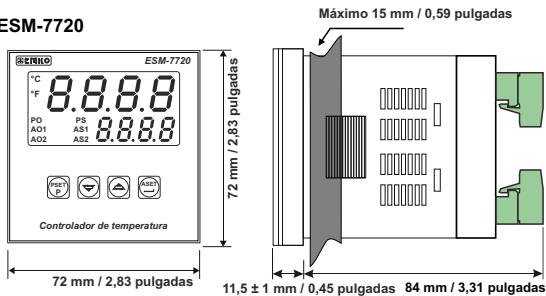
ESM-4420



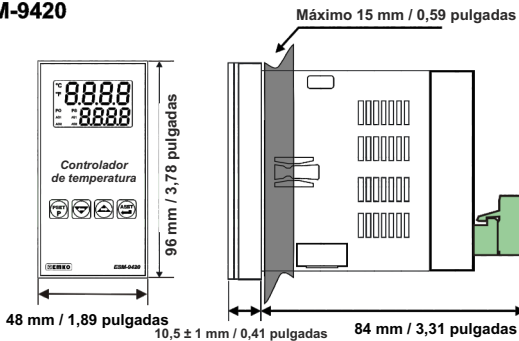
ESM-4920



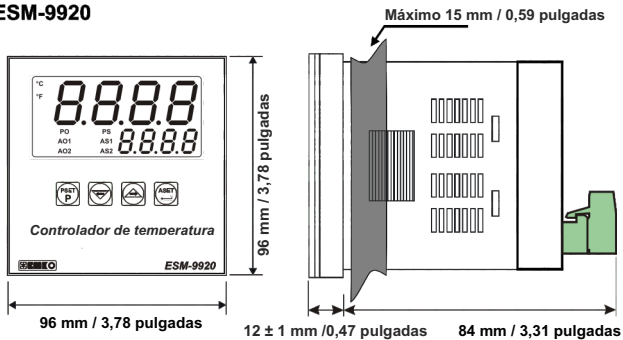
ESM-7720



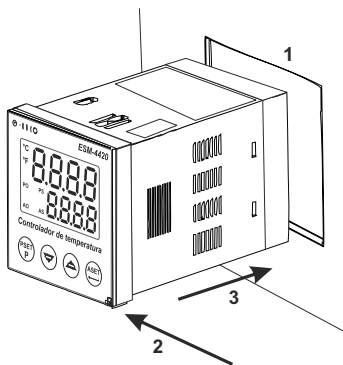
ESM-9420



ESM-9920



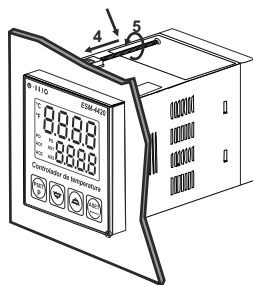
MONTAJE DEL PANEL



1-Antes de montar el dispositivo en su panel, asegúrese de que el encastre es del tamaño adecuado.

2-Compruebe la posición del tapón del panel frontal.

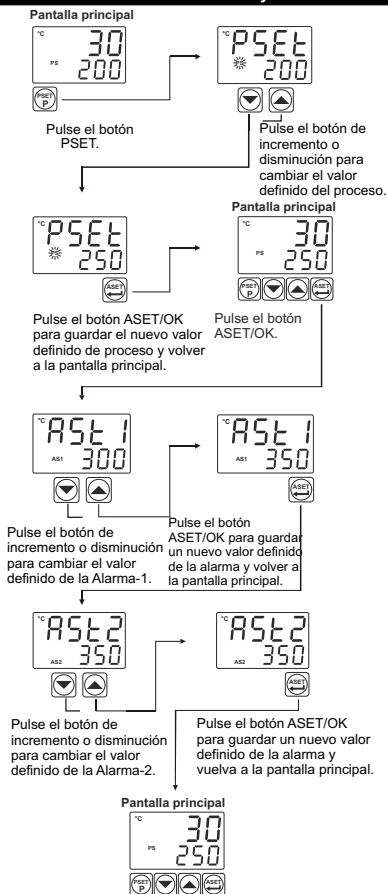
3-Inserte el dispositivo a través del encastre. Si la brida de montaje se encuentra en la unidad, extráigala antes de introducir la unidad en el panel.



4-Inserte la unidad en el encastre del panel por la parte delantera.

5- Inserte las bridas de montaje en los orificios localizados en la parte superior e inferior del dispositivo y atornille los tornillos de fijación hasta inmovilizar completamente el panel.

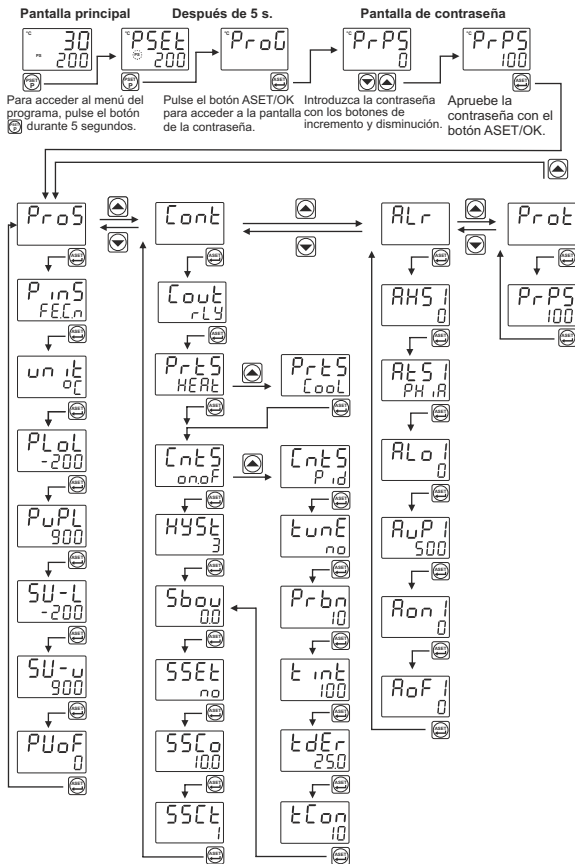
Acceder a los valores definidos y cambiarlos



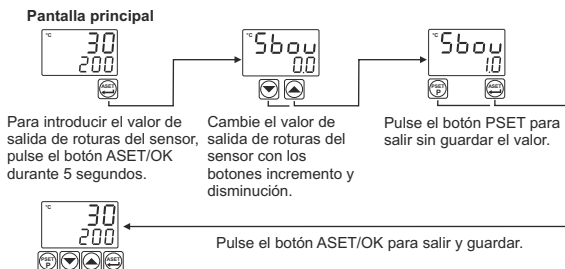
Nota: el usuario no puede salir de la sección del valor definido sin guardar los valores pulsando el botón

Si no se produce ninguna operación durante 120 segundos, el dispositivo sale automáticamente de la sección de Valor definido.

Diagrama de acceso sencillo para los parámetros del programa



Nota: si el usuario no hace nada durante 120 segundos mientras el dispositivo se encuentra en la sección de programación, el dispositivo vuelve a la pantalla de operaciones.



Nota: si el usuario no hace nada durante 120 segundos mientras el dispositivo se encuentra en esta sección, el dispositivo vuelve a la pantalla de operaciones.

Nota-2: el valor de salida de roturas del sensor también se puede ajustar en la sección de programación.

Proceso de ajuste

Inicio del proceso de ajuste

- 1- Introducir en la sección de programación
- 2- Seleccione **[UES]**, **[LUNE]** el parámetro, **[cont]** en el menú. Pulse el botón ASET/OK para **guardar** el parámetro y volver a la pantalla principal.
- 3- Observe que "**[LUNE]**" parpadea en la pantalla de ajuste.

Nota: para iniciar el proceso de ajuste,

Proceso de ajuste de calor: El valor de proceso debe ser inferior al valor definido de proceso, como mínimo un 5 % de la escala completa

Proceso de ajuste de frío: El valor de proceso debe ser superior al **[Err]** valor definido de proceso, como mínimo un 5 % de la escala completa Si esta condición no es correcta,

Cancelar el proceso de **Auto-ajuste:**

- 1- Si el sensor se rompe;
- 2- Si el proceso de **auto-ajuste** no se termina en 8 horas;
- 3- Mientras se ejecute el **Auto-ajuste** de calor, si el valor de proceso se vuelve mayor que el valor definido de proceso
- 4- Mientras se ejecute el **Auto-ajuste** de frío, si el valor de proceso se vuelve inferior que el valor definido de proceso
- 5- Mientras se ejecute el proceso de **Auto-ajuste**, si el usuario cambia el valor definido de proceso;

Entonces, el proceso de **Auto-ajuste** se cancela, el dispositivo continúa ejecutando los parámetros PID anteriores sin cambiarlos.

PrOS : Parámetros del menú de proceso

- P_{inS}** : Selección del tipo de entrada de proceso; (Predeterminado **FEECn**)
- FEECn** : Termopar de tipo J (Fe, Cu, Ni) Thermocouple, -200°C, 900°C; -328°F, 1652°F
- nECrn** : Termopar de tipo K (Ni, Cr, Ni) Thermocouple, -200°C, 1300°C; -328°F, 2372°F
- P_{13r}** : Termopar de tipo R (Pt13%RhPt) Thermocouple, 0°C, 1700°C; 32°F, 3092°F
- P_{10r}** : Termopar de tipo S (Pt10%RhPt) Thermocouple, 0°C, 1700°C; 32°F, 3092°F
- ECUn** : Termopar de tipo T (Cu,Cu,Ni) Thermocouple, -200°C, 400°C; -328°F, 752°F
- rEdD** : Pt - 100, -200°C, 650°C; -328°F, 1202°F
- rEdI** : Pt - 100, -199,9°C, 650,0°C ; -199,9°F, 999,9°F
- Un t** : °C Selección de la unidad. Se pueden seleccionar °F o °C. (Predeterminado: °C)
- PLoL** : Valor mínimo de la escala de funcionamiento (límite bajo) Cambia en función de la escala y el tipo de entrada de proceso. (Predeterminado: -200)
- PuPL** : Valor máximo de la escala de funcionamiento (límite alto) Cambia en función de la escala y el tipo de entrada de proceso. (Predeterminado: 900)
- SU-L** : Límite bajo del valor definido de proceso. El valor mínimo definido se define con este parámetro. Cambia en función de la escala y el tipo de entrada de proceso. (Predeterminado: -200)
- SU-u** : Límite alto del valor definido de proceso. El valor máximo definido se define con este parámetro. Cambia en función de la escala y el tipo de entrada de proceso. (Predeterminado: 900)
- PUoF** : Compensación de la pantalla para el valor de proceso. Se puede ajustar del -10 % al +10 % de la escala. Se añade al valor de la pantalla de proceso. (Predeterminado: 0)

Nota: si se cambia la selección del tipo de entrada de proceso (P_{inS}**) puede que los parámetros **PLoL**, **PuPL**, **SU-L**, **SU-u**, **PUoF**, **RLoI**, **RuPI**, **RLo2**, **RuP2**, **PSEt**, **RStI** y **RSt2** deban actualizarse en función de la selección del tipo de entrada.**

CoNt : Parámetros del menú de control

- CoUt** : Este parámetro determina qué salida será la Salida de control de proceso. Si se selecciona rLY, la salida de proceso es la salida de relé; si se selecciona SSR, la salida de proceso es la salida del SSR. (Predeterminado: Ssr)
- PrtS** : Selección del tipo de proceso. Puede ser **HERt** o **CoOL**. (Predeterminado: **HERt**)
- CoNtS** : Selección del tipo de control de proceso. Puede ser **oNoF** o **P_{id}**. (Predeterminado: **oNoF**)
- tUnE** : Si el parámetro de ajuste se define en **yES** el dispositivo empieza a calcular los parámetros PID automáticamente. Este parámetro se muestra si **CoNtS** = **P_{id}**. (Predeterminado **no**)

- P_rb_n** : Banda proporcional. Se puede ajustar de %1 a %100. Si $[C_{nt5}] = [P_{id}]$, se puede observar este parámetro. (Predeterminado: 10,0)
- t_{int}** : Tiempo íntegro. Se puede ajustar de 0 a 3600 segundos. Si $[C_{nt5}] = [P_{id}]$, se puede observar este parámetro. (Predeterminado: 100)
- t_{dEr}** : Tiempo de derivación. Se puede ajustar de 0 a 999,9 segundos. Si $[C_{nt5}] = [P_{id}]$, se puede observar este parámetro. (Predeterminado: 25,0)
- t_{con}** : Periodo de control de salida. Se puede ajustar de 1 a 150 segundos. Si $[C_{nt5}] = [P_{id}]$, se puede observar este parámetro. (Predeterminado: 10)
- H₅t** : Valor de histéresis. Se puede ajustar de %0 ile %50 de la escala ($[P_{uPl}] - [P_{lOl}]$) Si $[C_{nt5}] = [onoP]$, se puede observar este parámetro (Predeterminado: 3)
- S_{bow}** : Valor de salida de roturas del sensor. Se puede ajustar de %0 a %100. (Predeterminado: 0,0)
- SSEt** : Valor de ajuste de arranque suave. El dispositivo funciona en modo de arranque suave, hasta que la temperatura alcance el valor definido de arranque suave. (Predeterminado: ninguno)
- SSCo** : Salida de control de arranque suave. Este parámetro determina el porcentaje de salida de control del modo de arranque suave.(Predeterminado: 10,0)
- SSCt** : Tiempo de control de arranque suave. Este parámetro determina el tiempo de control del modo de arranque suave. (Predeterminado: 1)

RL₀ : Parámetros del menú de alarma

- RHS1** : Valor de histéresis de la alarma. Se puede ajustar de %0 ile %50 de la escala ($[R_{uPl}] - [R_{lOl}]$).(Predeterminado: 0)
- Rt51** : Selección del tipo de alarma. (Predeterminado: $[PH_{iR}]$)
- RLo1** : Parámetro del límite bajo del valor definido de la alarma. Se puede ajustar de la escala mínima de funcionamiento al límite alto del valor definido de la alarma. (Predeterminado: 0)
- RuP1** : Parámetro del límite alto del valor definido de la alarma. Se puede ajustar del límite bajo del valor definido de la alarma a la escala máxima de funcionamiento. (Predeterminado: 500)
- Roni** : Tiempo de espera de activación de la alarma. Se puede ajustar de 0 a 9999 segundos.(Predeterminado: 0)
- RoF1** : Tiempo de espera de desactivación de la alarma. Se puede ajustar de 0 a 9998 segundos. Si es superior a 9998, $[L_{tCH}]$ se visualiza en la pantalla y se selecciona la salida de bloqueo de la alarma. (Predeterminado: 0)
- RHS2** : Valor de histéresis de la alarma. Se puede ajustar de %0 ile %50 de la escala ($[R_{uPl}] - [R_{lOl}]$).(Predeterminado: 0)
- Rt52** : Selección del tipo de alarma. (Predeterminado $[PH_{iR}]$)

\overline{RLoP} : Parámetro del límite bajo del valor definido de la alarma. Se puede ajustar de la escala mínima de funcionamiento al límite alto del valor definido de la alarma. (Predeterminado: 0)

\overline{RUoP} : Parámetro del límite alto del valor definido de la alarma. Se puede ajustar del límite bajo del valor definido de la alarma a la escala máxima de funcionamiento.(Predeterminado:500)

\overline{ROnT} : Tiempo de espera de activación de la alarma. Se puede ajustar de 0 a 9999 segundos. (Predeterminado: 0)

$RLoP$: Parámetro del límite bajo del valor definido de la alarma.Se puede ajustar de la escala mínima de funcionamiento al límite alto del valor definido de la alarma. (Predeterminado: 0)

$RUoP$: Parámetro del límite alto del valor definido de la alarma. Se puede ajustar del límite bajo del valor definido de la alarma a la escala máxima de funcionamiento. (Predeterminado: 500)

$ROnT$: Tiempo de espera de activación de la alarma. Se puede ajustar de 0 a 9999 segundos. (Predeterminado: 0)

$ROFT$: Tiempo de espera de desactivación de la alarma. Se puede ajustar de 0 a 9998 segundos. Si es superior a 9998, \overline{LECH} se visualiza en la pantalla y se selecciona la salida de bloqueo de la alarma. (Predeterminado: 0)

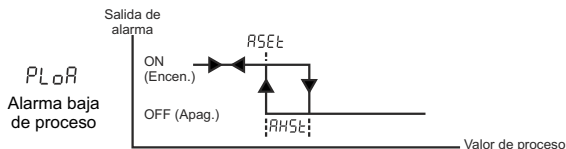
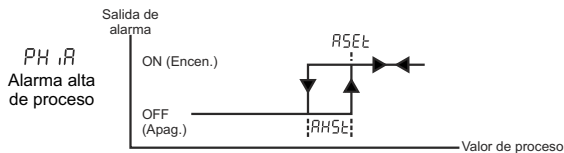
NOTA: Los parámetros de la Alarma-2(AHS2, AtS2, ALo2,AuP2, Aon2, AoF2 se activan si el parámetro de salida de control se selecciona como SSR.

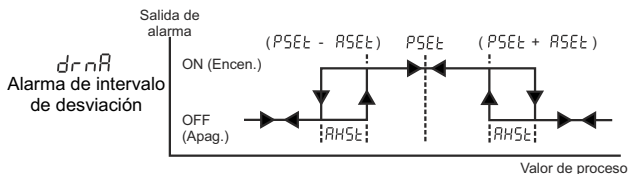
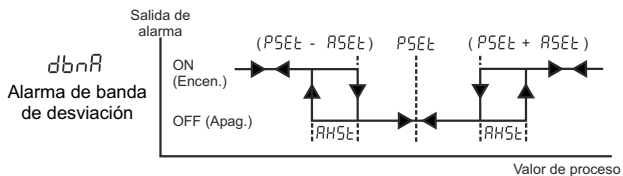
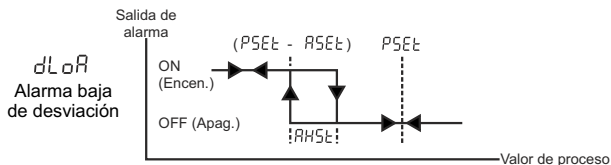
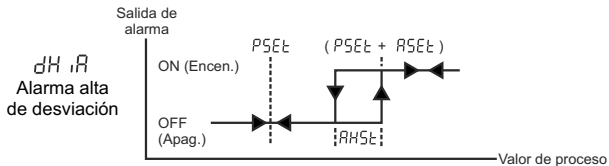
\overline{PROt} : Parámetro del menú de protección

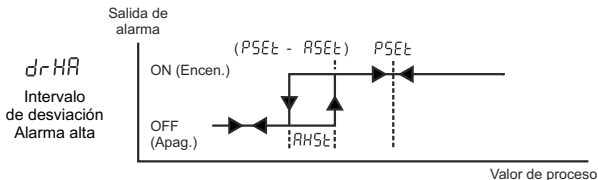
\overline{PRPS} : Contraseña para acceder a la sección de programación. Se puede ajustar de 0 a 9999.

Si \overline{PRPS} es 0, no se observa la pantalla de contraseña. Si \overline{PRPS} es diferente a 0 y el usuario entra en las páginas del menú sin introducir la contraseña, todos los menús se pueden observar, excepto el menú de protección \overline{PROt} . Pero el dispositivo no permite realizar ningún cambio en los parámetros. (El valor predeterminado es 0)

Tipos de alarma







Mensajes de error



1- Fallo del sensor en las entradas analógicas. La conexión del sensor es incorrecta o no hay ninguna conexión del sensor.



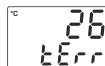
2- Si el valor que se lee desde la entrada analógica es inferior que el proceso del límite bajo definido de proceso [PLoL], el valor de la pantalla superior empieza a parpadear como en la imagen.



3- Si el valor que se lee desde la entrada analógica es superior que el valor del parámetro de límite alto definido del proceso [PuPL], el valor de la pantalla superior empieza a parpadear como en la imagen.



4- Si la contraseña de introducción en la sección de programación es diferente a "0" y el usuario accede al parámetro a través del botón ASET/OK sin introducir la contraseña y quiere cambiar un parámetro, el mensaje de advertencia aparece en la pantalla, según se muestra a la izquierda. El dispositivo no permite realizar ningún cambio sin introducir la contraseña correctamente.



5- En la sección de programación, cuando se selecciona el proceso de ajuste [YES], si la advertencia que se muestra a la izquierda parpadea en la pantalla de operaciones durante 10 segundos, quiere decir que las condiciones de inicio no son adecuadas para el proceso de ajuste.

Installation



Antes de iniciar la instalación de este producto, lea atentamente el manual de instrucciones y las advertencias que se indican a continuación.

En el paquete se incluye,

- Una unidad
- Dos bridas de montaje
- Un manual de instrucciones

Se recomienda una inspección visual de este producto antes de instalarse para detectar posibles daños ocasionados durante el envío. Es su responsabilidad asegurarse de que este producto sea instalado por técnicos mecánicos y eléctricos cualificados.

Si hay peligro de accidentes graves resultantes de un fallo o defecto en esta unidad, apague el sistema y retire la conexión eléctrica del dispositivo del sistema.

La unidad se suele suministrar sin un conmutador de fuente de alimentación ni un fusible. Se necesita el uso de un fusible o un conmutador de alimentación.

Asegúrese de utilizar la tensión de alimentación nominal para proteger la unidad contra daños y evitar fallos. Mantenga la alimentación apagada hasta finalizar todo el cableado para evitar descargas eléctricas y problemas con la unidad.

No intente nunca desmontar, modificar ni reparar esta unidad. Las alteraciones de la unidad pueden dar lugar a un funcionamiento incorrecto, descargas eléctricas o incendios.

No se debe usar la unidad en atmósferas gaseosas explosivas o inflamables.

Al colocar el equipo en el orificio del panel de metal durante la instalación mecánica, algunas rebabas de metal pueden provocar daños en las manos, por ello debe tener cuidado.

El montaje del producto en un sistema se debe realizar con sus bridas de fijación. No realice el montaje del dispositivo con una brida de fijación inadecuada. Asegúrese de que el dispositivo no se caiga al realizar el montaje.

Es responsabilidad suya si este equipo se utiliza de una forma no especificada en este manual de instrucciones.

Garantía

EMKO Elektronik garantiza que el equipo suministrado no presenta ningún defecto en el material ni en la fabricación. Esta garantía tiene una duración de dos años. Este periodo de garantía comienza a partir de la fecha de entrega. Esta garantía es vigente si el cliente desempeña completamente las tareas y responsabilidades que se determinan en el documento de la garantía y en el manual de instrucciones.

Mantenimiento

Las reparaciones solamente las debe realizar el personal formado y especializado. Corte la corriente del dispositivo antes de acceder a las piezas internas. No limpie la carcasa con disolventes con base de hidrocarburo (gasolina, tricloroetileno, etc.). El uso de dichos disolventes puede reducir la fiabilidad mecánica del dispositivo. Utilice un paño humedecido en alcohol etílico o agua para limpiar la carcasa de plástico externa.

Empresa fabricante

Información del fabricante:

Emko Elektronik Sanayi ve Ticaret A.Ş.
Demirtaş Organize Sanayi Bölgesi Karanfil Sk. No:6 16369
BURSA/TURQUÍA
Teléfono : +90 224 261 1900
Fax : +90 224 261 1912

Información de reparación y mantenimiento:

Emko Elektronik Sanayi ve Ticaret A.Ş.
Demirtaş Organize Sanayi Bölgesi Karanfil Sk. No:6 16369
BURSA/TURQUÍA
Teléfono : +90 224 261 1900
Fax : +90 224 261 1912

Información para pedidos

ESM-4420 (48x48 DIN 1/16)
ESM-4920 (96x48 DIN 1/8)
ESM-7720 (Tamaño 72x72 DIN)
ESM-9920 (96x96 DIN 1/4)

A	BC	D	E	/	FG	HI	/	U	V	W	Z
		0		/	01	02	/	0	0	0	0

A	Tensión de alimentación
2	24 V ~, 50/60 Hz o 24 V --- (± %15)
3	24 V ~ (± %15) 50/60 Hz
4	115 V ~ (± %15) 50/60 Hz
5	230 V ~ (± %15) 50/60 Hz
9	Cliente

BC	Tipo de Entrada	Escala
20	Configurable (Tabla-1)	(Tabla-1)

D	Comunicación de serie
0	Ninguna

E	Salida-1(Proceso o alarma)
1	Salida de relé (5 A @ 250 V~ en la carga resistiva)
2	Salida de la unidad de control del SSR (Máximo 24 mA, Máximo 12 V ---)

FG	Salida-2(Alarma)
01	Salida de relé (5 A @ 250 V~ en la carga resistiva)

HI	Salida-3 (Proceso)
02	Salida de la unidad de control del SSR (Máximo 24 mA, Máximo 12 V ---)

Tabla-1

BC	Tipo de entrada (TC)	Escala(°C)	Escala(°F)
23	J, Fe CuNi IEC584.1(ITS90)	-200°C, 1300°C	-328°F, 2372°F
25	K, NiCr Ni IEC584.1(ITS90)	0°C, 1700°C	32°F, 3092°F
27	R, Pt13%Rh Pt IEC584.1(ITS90)	0°C, 1700°C	32°F, 3092°F
28	S, Pt10%Rh Pt IEC584.1(ITS90)	0°C, 1700°C	32°F, 3092°F
29	T, Cu CuNi IEC584.1(ITS90)	-200°C, 400°C	-328°F, 752°F

BC	Input Type(RTD)	Escala(°C)	Escala(°F)
39	PT 100, IEC751(ITS90)	-200°C, 650°C	-328°F, 1202°F
40	PT 100, IEC751(ITS90)	-199,9°C; 650,0°C	-199,9°F; 999,9°F



Su Socio Tecnológico

Muchas gracias por haber elegido productos
 Emko Elektronik, visite nuestra página web
 para descargar el manual de usuario detallado.
www.emkoelektronik.com.tr