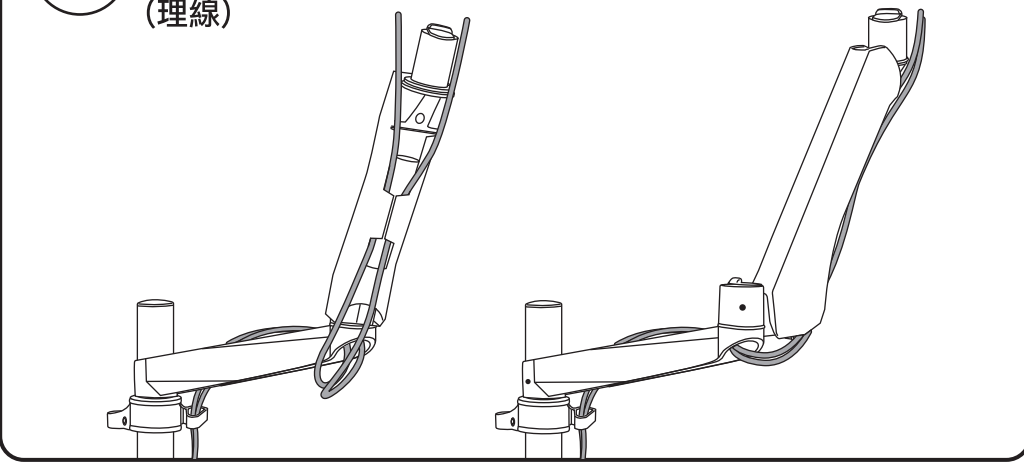


# 背面

# 正面

## 4 Route Cables (理線)

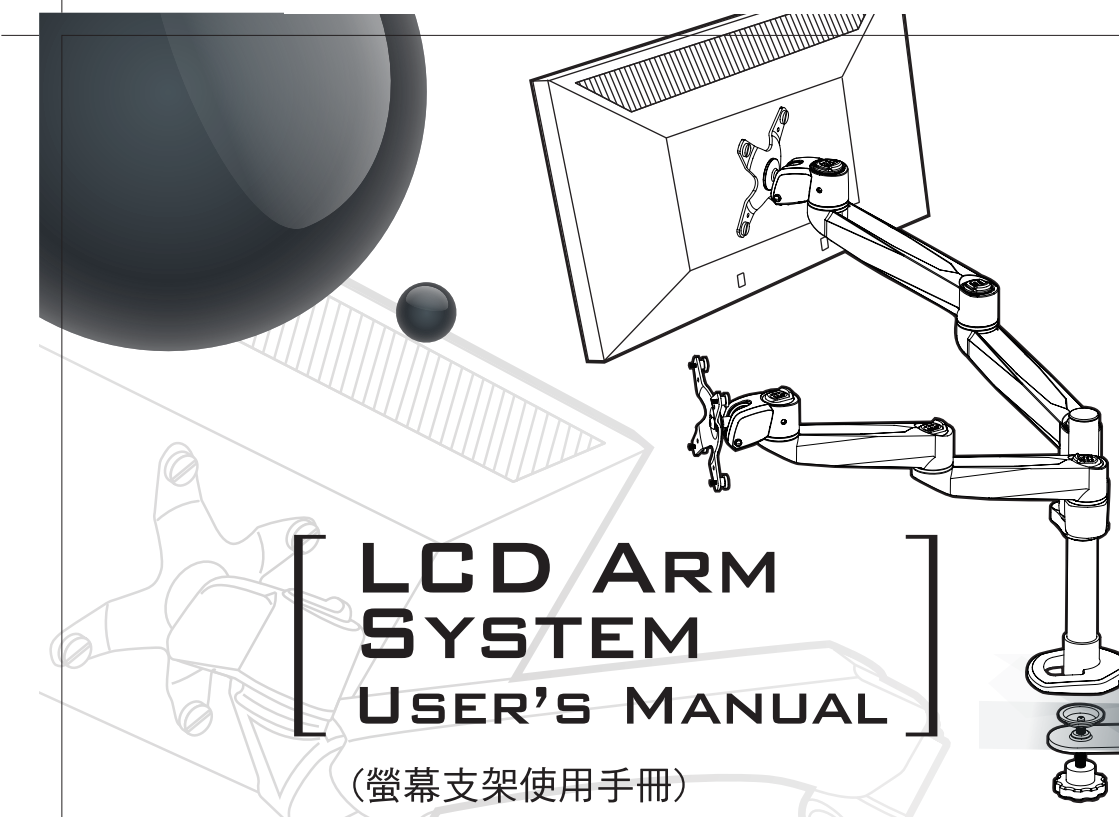


## Supplied Parts and Hardware (包裝內部品及五金件)

Parts	EM3111	EM3116	EM3136	EM3114	EM3211	EM3216	EM3214	EM3311	EM3316	EM3314	EM3411	EM3416	EM3414	EM3511	EM3516	EM3514	EM4311	EM4316	EM4314	EM4511	EM4516	EM4514	EM5211	EM5216	EM5214	EM5511	EM5516	EM5514	EM5311	EM5316	EM5314	EM5519	EM5521	EM5529
C-Clamp (C型夾座)																																		
Grommet (穿桌夾座)																																		
2 in 1 (2合1)																																		
Wall Mount (牆座)																																		
M6 Wrench (M6六角板手)																																		
M3 Wrench (M3六角板手)																																		
EVA Cushion (軟墊)																																		
Ancore x2 Screw x2 (壁虎 x2 螺釘 x2)																																		
Spring Arm (懸臂)																																		
Swivel Arm (旋轉臂)																																		
Monitor Mount (螢幕固定座)																																		
Hand Screw x4 (手旋螺絲 x4)																																		
Cable Clip (理線夾)																																		
Dual Stand (分支座)																																		

- 保固條款 (Scope of Guarantee)**
- 客戶滿意是我們努力追求的目標。為維持提供用戶最完善的售後服務及關於消費者的權利，請仔細閱讀說明書內的資訊。
  - 為保護服務效率，請在維修保證及說明書提供購買成本清單。
  - 在購買商品時，請務必購買原裝且加蓋店標，如有配屬遺漏，會造成在保證期間內無法免費維修。
  - 如超過保固期，消費者必須負擔零件及維修服務費。
  - 請認明說明書內之保固條款，正常使用本產品，如使用者使用超過產品規格之承受重量，造成產品受損故障，雖在保固期內，將不負責維修或消費者必須負擔零件及維修服務費。

**Warning:**  
Please lift arm up to highest position while removing the monitor. The monitor arm could bounce upward to cause personal injury when the weight of monitor is removed.  
卸下螢幕時，請將支架移到最上端，因為維持平衡的螢幕重量被移除時，支架會反彈，可能會造成傷害。



Warranty effective since 保固期間購買日

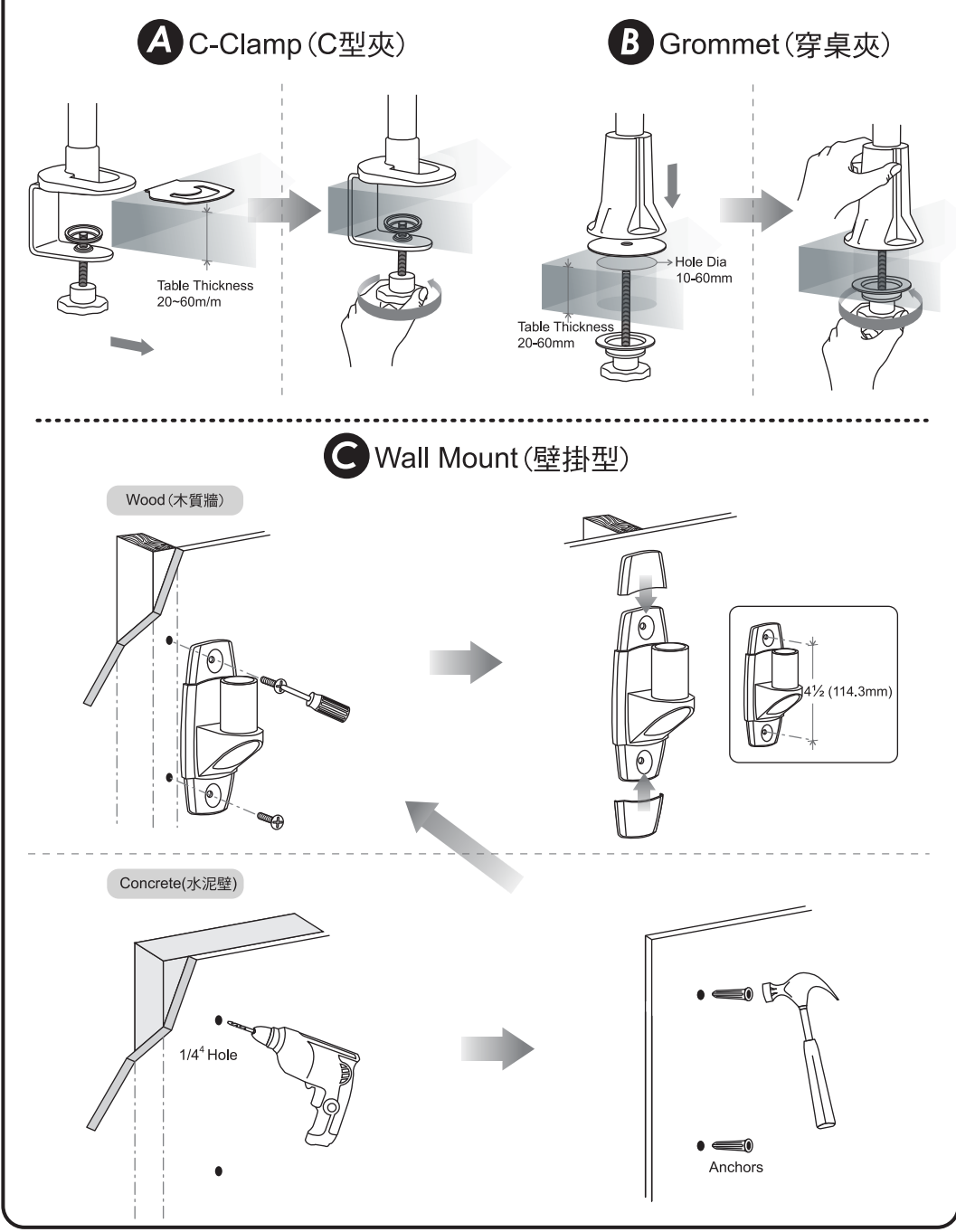
Year 年	Month 月	Day 日

Seal by Distributor 販售店標

Please read carefully warranty details stated in the instruction manual. 請詳閱說明書內保固條款說明

71H016135-015

## 1 Installation Method of Mount Type (夾座安裝方法)



## Features and Specification (功能特性)

	VESS	LIFT	ANGLE	PIVOT	SWIVEL	PAN	TILT	EXTENSION	VERTICAL	W/WEIGHT
EM31111	MS-D (75x75/100x100)	200mm	0	360°	0	360°	105°	0	0	≤14kg
EM31116	MS-D (75x75/100x100)	200mm	0	360°	0	360°	105°	0	0	≤14kg
EM31136	MS-D (75x75/100x100)	200mm	0	360°	0	360°	105°	0	0	≤14kg
EM31114	MS-D (75x75/100x100)	0	0	360°	0	180°	105°	0	0	≤14kg
EM32111	MS-D (75x75/100x100)	200mm	0	360°	360°	360°	105°	210mm	0	≤14kg
EM32116	MS-D (75x75/100x100)	200mm	0	360°	360°	360°	105°	210mm	0	≤14kg
EM32136	MS-D (75x75/100x100)	200mm	0	360°	360°	360°	105°	210mm	0	≤14kg
EM32114	MS-D (75x75/100x100)	0	0	360°	180°	360°	105°	210mm	0	≤14kg
EM33111	MS-D (75x75/100x100)	200mm	0	360°	360°	360°	105°	420mm	0	≤14kg
EM33116	MS-D (75x75/100x100)	200mm	0	360°	360°	360°	105°	420mm	0	≤14kg
EM33136	MS-D (75x75/100x100)	200mm	0	360°	360°	360°	105°	420mm	0	≤14kg
EM33114	MS-D (75x75/100x100)	0	0	360°	360°	360°	105°	420mm	0	≤14kg
EM34111	MS-D (75x75/100x100)	200mm	100°	360°	360°	240°	105°	330mm 270mm	0	2-9kg
EM34116	MS-D (75x75/100x100)	200mm	100°	360°	360°	240°	105°	330mm 270mm	0	2-9kg
EM34136	MS-D (75x75/100x100)	200mm	100°	360°	360°	240°	105°	330mm 270mm	0	2-9kg
EM34114	MS-D (75x75/100x100)	0	100°	360°	180°	240°	105°	330mm 270mm	0	2-9kg
EM34121	MS-D (75x75/100x100)	0	100°	360°	360°	240°	105°	330mm 270mm	0	2-9kg
EM34126	MS-D (75x75/100x100)	0	100°	360°	360°	240°	105°	330mm 270mm	0	2-9kg
EM34036	MS-D (75x75/100x100)	0	100°	360°	360°	240°	105°	330mm 270mm	0	2-9kg
EM35111	MS-D (75x75/100x100)	200mm	100°	360°	360°	240°	105°	540mm 270mm	0	2-9kg
EM35116	MS-D (75x75/100x100)	200mm	100°	360°	360°	240°	105°	540mm 270mm	0	2-9kg
EM35136	MS-D (75x75/100x100)	200mm	100°	360°	360°	240°	105°	540mm 270mm	0	2-9kg
EM43111	MS-D (75x75/100x100)	160mm	0	360°	360°	360°	105°	420mm	0	Pik-Mat Loading 至 20kg
EM43116	MS-D (75x75/100x100)	160mm	0	360°	360°	360°	105°	420mm	0	Pik-Mat Loading 至 20kg
EM43136	MS-D (75x75/100x100)	160mm	0	360°	360°	360°	105°	420mm	0	Pik-Mat Loading 至 20kg
EM43114	MS-D (75x75/100x100)	0	0	360°	360°	360°	105°	420mm	0	≤30kg
EM45111	MS-D (75x75/100x100)	160mm	100°	360°	360°	240°	105°	540mm 270mm	0	Pik-Mat Loading 至 20kg
EM45116	MS-D (75x75/100x100)	160mm	100°	360°	360°	240°	105°	540mm 270mm	0	Pik-Mat Loading 至 20kg
EM45136	MS-D (75x75/100x100)	160mm	100°	360°	360°	240°	105°	540mm 270mm	0	Pik-Mat Loading 至 20kg
EM45114	MS-D (75x75/100x100)	0	100°	360°	360°	240°	105°	540mm 270mm	0	Each Arm 至 9kg
EM45121	MS-D (75x75/100x100)	0	100°	360°	360°	240°	105°	540mm 270mm	0	Each Arm 至 9kg
EM45126	MS-D (75x75/100x100)	0	100°	360°	360°	240°	105°	540mm 270mm	0	Each Arm 至 9kg
EM45036	MS-D (75x75/100x100)	0	100°	360°	360°	240°	105°	540mm 270mm	0	Each Arm 至 9kg
EM52111	MS-D (75x75/100x100)	350mm	0	360°	360°	360°	105°	210mm	0	Pik-Mat Loading 至 20kg
EM55111	MS-D (75x75/100x100)	330mm	100°	360°	360°	240°	105°	540mm 270mm	0	Pik-Mat Loading 至 20kg
EM55116	MS-D (75x75/100x100)	330mm	100°	360°	360°	240°	105°	540mm 270mm	0	Pik-Mat Loading 至 20kg
EM55136	MS-D (75x75/100x100)	330mm	100°	360°	360°	240°	105°	540mm 270mm	0	Pik-Mat Loading 至 20kg
EM53211	MS-D (75x75/100x100)	330mm	0	360°	360°	360°	105°	420mm	0	Pik-Mat Loading 至 20kg
EM53216	MS-D (75x75/100x100)	330mm	0	360°	360°	360°	105°	420mm	0	Pik-Mat Loading 至 20kg
EM53236	MS-D (75x75/100x100)	330mm	0	360°	360°	360°	105°	420mm	0	Pik-Mat Loading 至 20kg

VESS: YES

LIFT: YES

ANGLE: YES

PIVOT: YES

SWIVEL: YES

PAN: YES

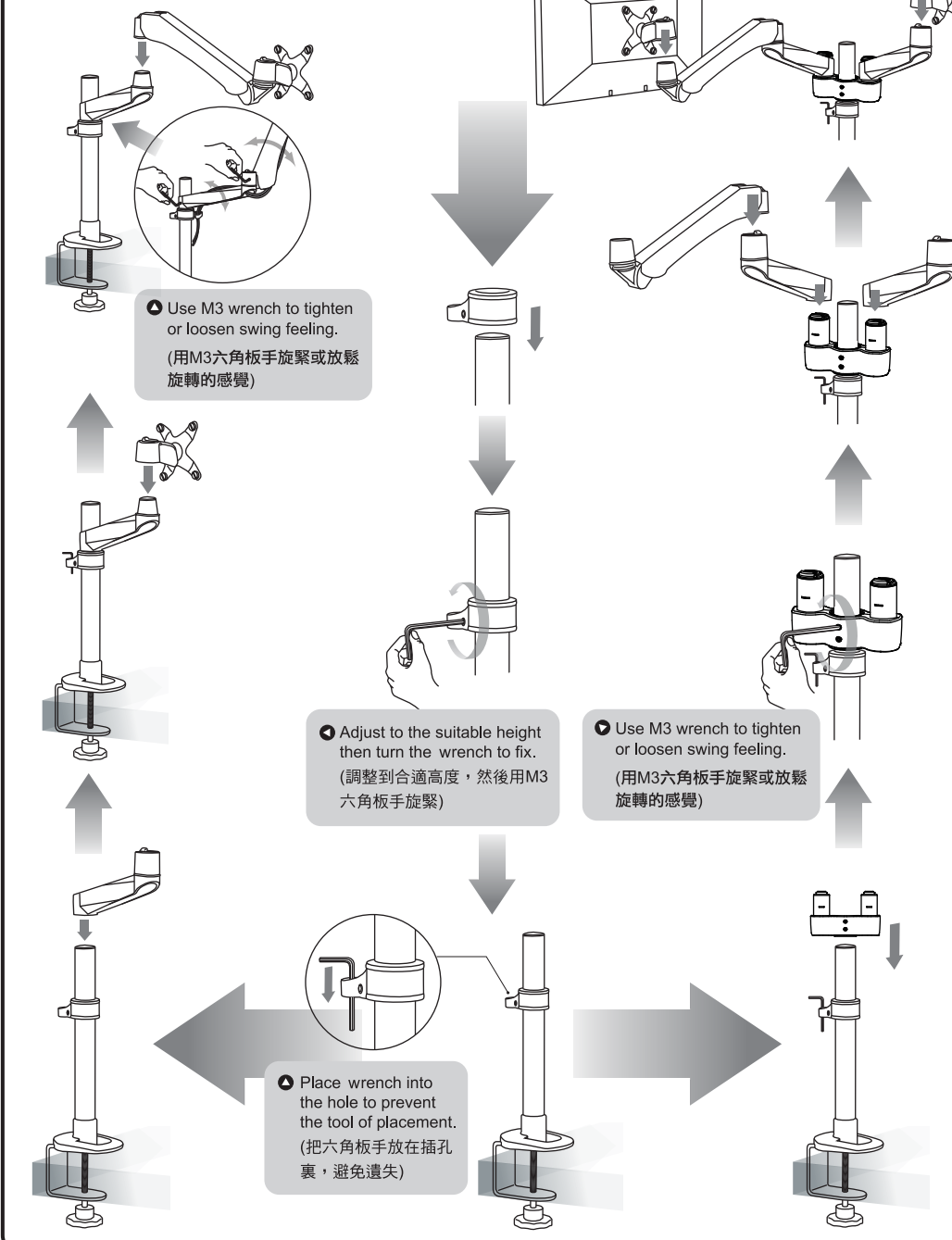
TILT: YES

EXTENSION: YES

VERTICAL: YES

W/WEIGHT: YES

## 2 Install Arms (安裝支架)



## 3 Install Monitors (安裝螢幕)

