

310.853.001.0313

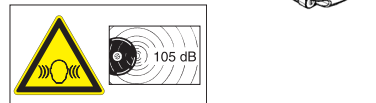
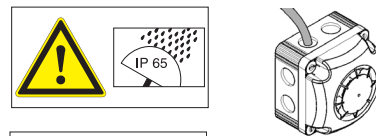
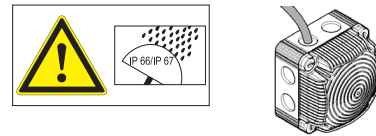
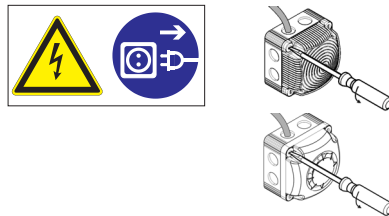
© ®

**WERMA**  
SIGNALTECHNIK

WERMA Signaltechnik GmbH + Co. KG  
D-78604 Rietheim-Weilheim  
Telefon +49 (0)7424 / 9557-0  
Telefax +49 (0)7424 / 9557-44  
info@werma.com  
www.werma.com



- Ⓓ Anschluss **ausschließlich** durch ausgebildete Elektro-Fachkräfte.
- ⒼⒸ Electrical connection is to be made by trained electrical specialists **only**.
- Ⓕ Le branchement doit **uniquement** être effectué par des professionnels.
- Ⓘ Il collegamento deve essere eseguito **solo** da elettricisti specializzati.
- Ⓔ La conexión **sólo** debe ser realizada por electricistas debidamente formados.
- Ⓗ A ligação deve ser feita **exclusivamente** por profissional eléctrico especializado.
- Ⓝ De aansluiting mag **enkel** gebeuren door erkende vakmensen.
- ⒸⒶ Připojení smí **provádět** pouze kvalifikovaný personál.
- Ⓟ Podłączenie **wyłącznie** przez specjalistów-elektryków.
- Ⓕ Liittäminen kuuluu **ainoastaan** koulutettujen sähköalan ammattilaisten tehtäviin.
- ⓇⓊⓈ Подключение проводится только специалистом-электриком.
- ⒽⓇ Bağlantı **sadece** eğitimli elektrik teknisyenleri tarafından yapılmalıdır.
- ⒸⓃ 布线需由专业电工执行



853 x20 xx

- Ⓓ Bei Epilepsie ungeeignet!
- ⒼⒸ Unsuitable for epilepsy sufferers
- Ⓕ Ne convient pas aux personnes souffrant d'épilepsie
- Ⓘ Inadatto per epilettici
- Ⓔ Inadecuado para epilépticos
- Ⓗ Não aconselhavel a pessoas que sofrem de Epilepsia
- ⓃⓁ Niet geschikt voor epileptici.
- ⒸⒶ Nevhodné pro epileptiky
- Ⓟ Nie stosować przy zchorzeniu padaczki
- ⒻⒾ Ei sovellu epilettikoille
- ⓇⓊⓈ Не подходит для страдающих эпилепсией
- ⒽⓇ Epilepsi hastalığı olanların kullanmaması önerilir
- ⒸⓃ 不适用于癫痫病患者



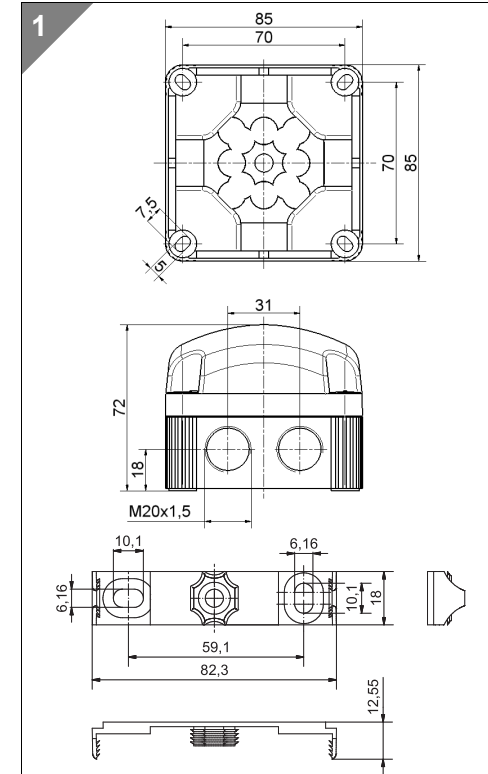
|            |                                                   |
|------------|---------------------------------------------------|
| 853 x00 54 | 12 VDC, ≤ 180 mA, I <sub>0</sub> < 1250 mA        |
| 853 x00 55 | 24 VDC, ≤ 80 mA, I <sub>0</sub> < 500 mA          |
| 853 x00 66 | 48 V~, ≤ 35 mA, I <sub>0</sub> < 200 mA           |
| 853 x00 60 | 115–230 V~, ≤ 40 mA, I <sub>0</sub> < 7 A         |
| 853 x10 54 | 12 VDC, ≤ 100 mA, I <sub>0</sub> < 1250 mA        |
| 853 x10 55 | 24 VDC, ≤ 80 mA, I <sub>0</sub> < 500 mA          |
| 853 x10 66 | 48 V~, ≤ 90 mA, I <sub>0</sub> < 2 A              |
| 853 x10 60 | 115–230 V~, ≤ 180 mA, I <sub>0</sub> < 7 A        |
| 853 x20 54 | 12 VDC, ≤ 400 mA, I <sub>0</sub> < 1250 mA        |
| 853 x20 55 | 24 VDC, ≤ 200 mA, I <sub>0</sub> < 500 mA         |
| 853 x20 66 | 48 V~, ≤ 95 mA, I <sub>0</sub> < 2 A              |
| 853 x20 60 | 115–230 V~, ≤ 180 mA, I <sub>0</sub> < 7 A        |
| 153 000 54 | 12 VDC, ≤ 70 mA, I <sub>0</sub> < 500 mA          |
| 153 000 55 | 24 VDC, ≤ 120 mA, I <sub>0</sub> < 500 mA         |
| 153 000 66 | 48 V~, ≤ 150 mA, I <sub>0</sub> < 2 A             |
| 153 000 60 | 115–230 V~, ≤ 75 – ≤ 150 mA, I <sub>0</sub> < 7 A |



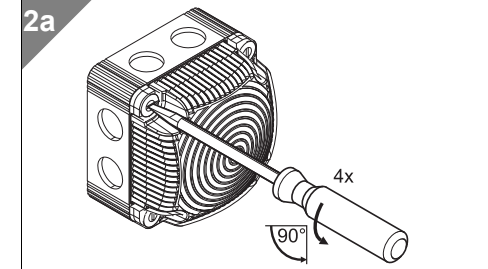
(vgl. Abb. 7b,c / see Fig. 7b,c / ref. III. 7b,c)

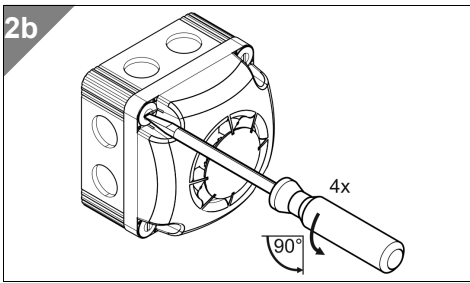
| Stufe<br>Stage<br>Niveau | Code | Tonart<br>Tone type<br>Tonalité                    | Frequenz<br>Frequencies<br>Fréquence |
|--------------------------|------|----------------------------------------------------|--------------------------------------|
| 1                        | 000  | Dauerton, continuous, continu                      | ca. 3000 Hz                          |
| 2                        | 001  | Hupenton, horn tone, trompe                        | ca. 110 Hz                           |
| 3                        | 010  | 1 Hz Ton, 1 Hz tone, 1 Hz ton                      | ca. 3000 Hz                          |
| 4                        | 011  | 20 Hz Trillerton, 20 Hz whistle tone, 20 Hz trille | ca. 3000 Hz                          |
| 5                        | 100  | ansteigend, rising, montant                        | 800 - 970 Hz @ 1 Hz                  |

|   |     |                                      |                       |
|---|-----|--------------------------------------|-----------------------|
| 6 | 101 | ansteigend, rising, montant          | 2400 - 2850 Hz @ 7 Hz |
| 7 | 110 | abfallend, falling, incliné          | 1200 - 500 Hz @ 1 Hz  |
| 8 | 111 | alternierend, alternating, alternant | 800/1200 Hz @ 1 Hz    |

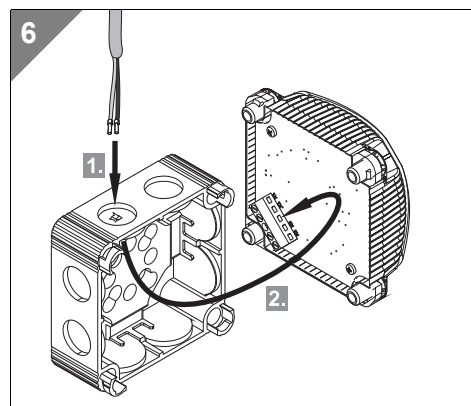
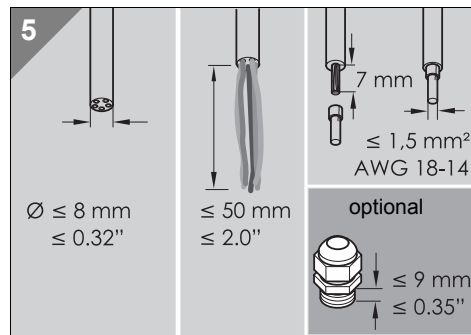
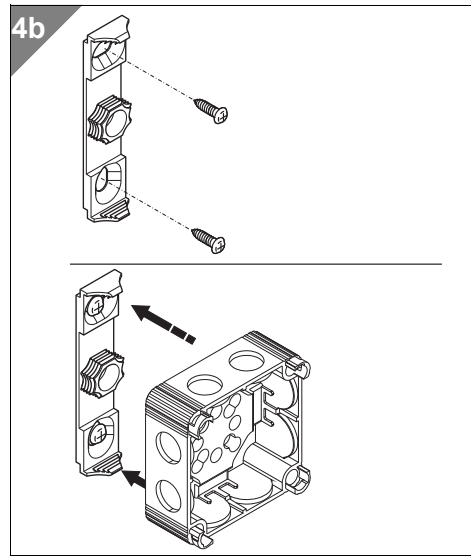
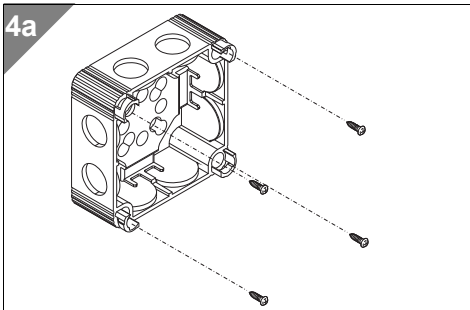
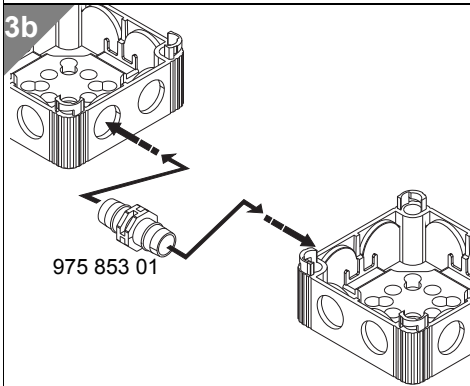
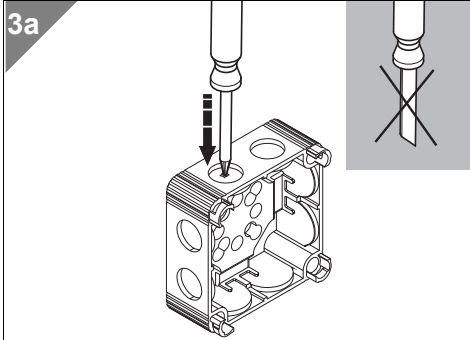


2  
2a - 853  
2b - 153

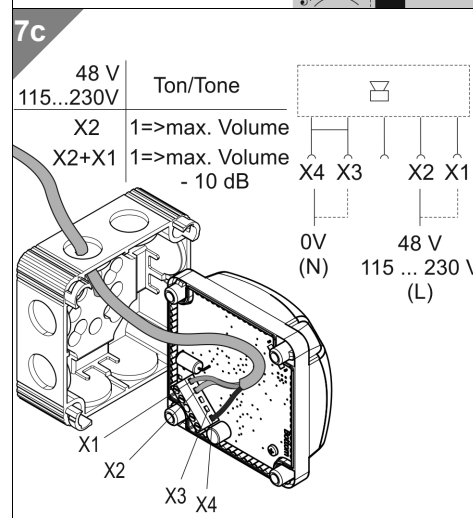
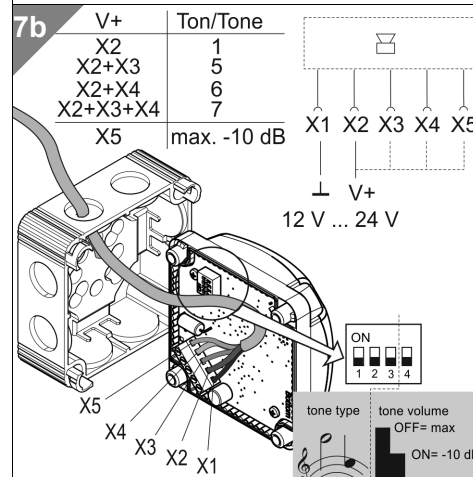
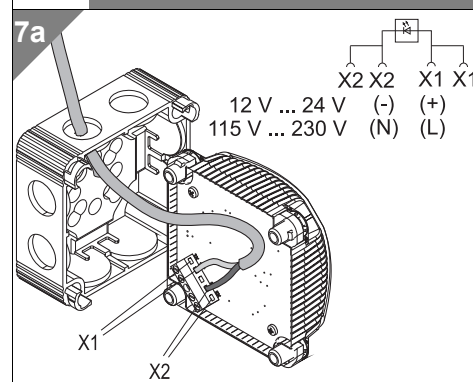




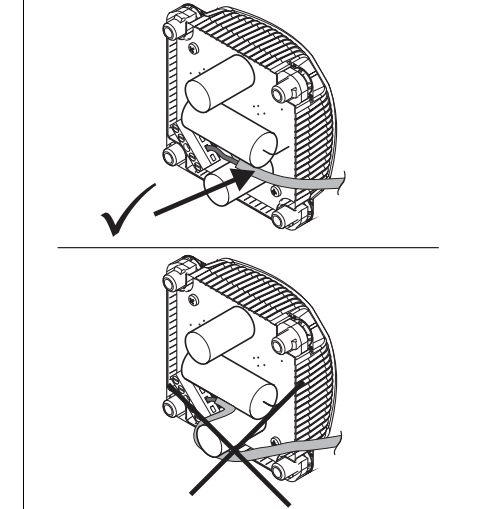
**3**  
3a - 853  
3b - 853 + 975 853 01



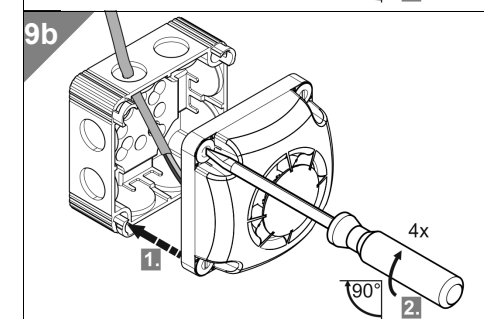
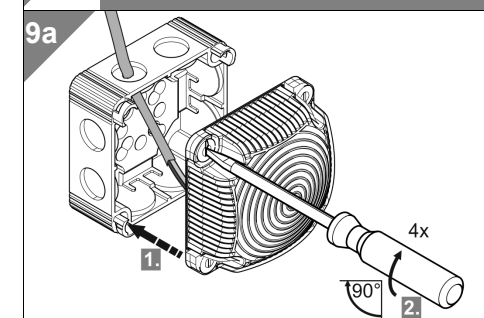
**7**  
7a - 853  
7b - 153 000 54 / 153 000 55  
7c - 153 000 60 / 153 000 66



**8**  
853 x10 60, 853 x10 66  
853 x20 60, 853 x20 66  
153 000 60, 153 000 66



**9**  
9a - 853  
9b - 153



310.853.001.0313

©