

A

B

C

D

E

F

G

H

1

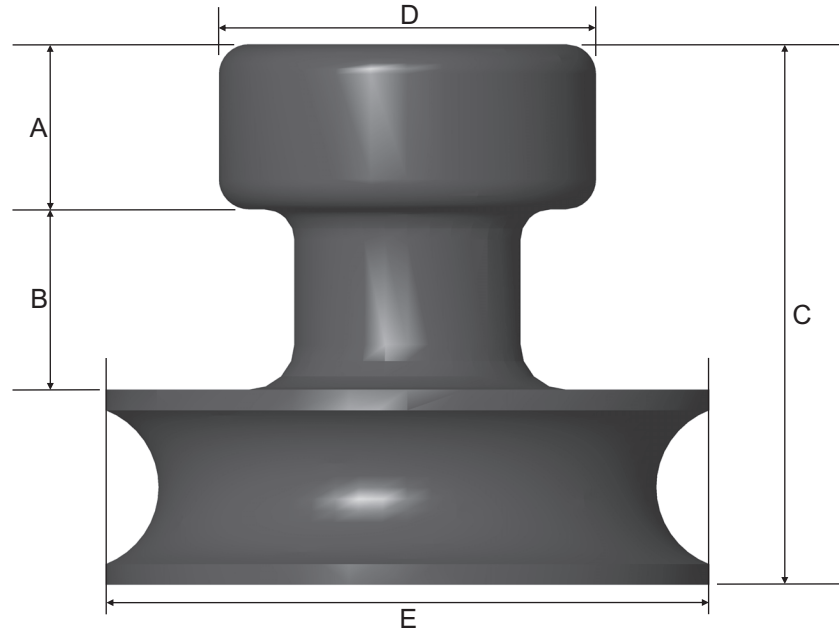
2

3

4

5

6



A: 12 mm
 B: 14 mm
 C: 42 mm
 D: \varnothing 35 mm
 E: \varnothing 60 mm

B/N: 484892

DATE	REVISION	APPROVAL BY	DIMENSION	mm \pm 2	Rubber Suction Lifter
			DRAW BY	Ling Chen	
			APPROVAL BY	Jade Xu	
			DATE	10-09-21	