

PLS-041B-6PAI

PLS-041B-6PAI

Power Level Sensor



Electrical Characteristics @ 25 °C

| | | |
|------------------------|--------|-----|
| Contact form | | B |
| Contact rating max. | W / VA | 50 |
| Switching voltage max. | VDC | 200 |
| | VAC | 250 |
| Switching current max. | A | 1.5 |
| Carry current max. | A | 2 |
| Breakdown voltage min. | VDC | 400 |
| Total resistance max. | mΩ | 150 |

Environmental Characteristics

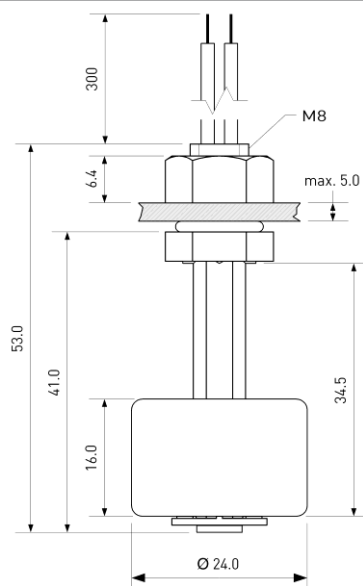
| | | |
|-----------------------|----|------------|
| Operating temperature | °C | -20 to +80 |
| Storage temperature | °C | -30 to +80 |

Mechanical Characteristics

| | | |
|---------------------------------------|---------------------|------------------------|
| Density of float typ.* | g / cm ³ | 0.76 |
| Recommended minimum gravity of medium | g / cm ³ | Density of float + 20% |

* in delivery condition

Dimensions in mm



Features

- Polyamide housing
- Mains voltage variant
- M8 thread
- Covers a wide range of applications
- Customized types available

Approvals



Ordering Information

| | | |
|--------------------|-----|-----|
| Packing Unit | 10 | pcs |
| Weight per piece | 12 | g |
| Weight per package | 128 | g |

PLS-041B-6PAI

PLS-041B-6PAI

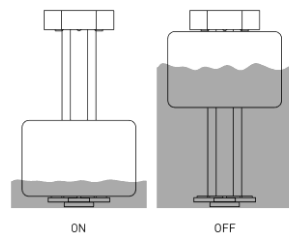
Power Level Sensor



Material Information

| | Material | Colour |
|--------------|---|--------|
| Housing | PA-GF | black |
| Cable | UL 1007, AWG 22, 4 mm stripped and tinned | black |
| Nuts | PA6, M8, 1 pc preassembled | black |
| Float | PA6 foam | black |
| Potting | PU / Epoxy | black |
| Sealing ring | FPM | black |

Operation View

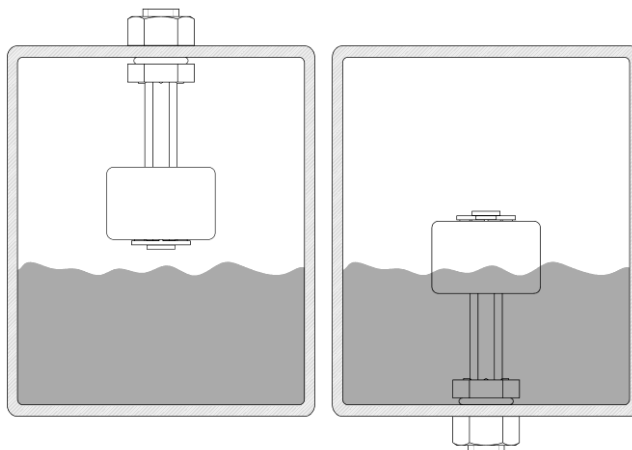


Remarks

When mounted near ferromagnetic parts switching distance of PLS-041B-6PAI may vary.

Electromagnetical influences and magnetic fields may change the switching behaviour of the Level Sensor.

Mounting



When mounted stem up, operating functions are reversed.