

SYS1308


Plug-in

9~24W

Country of Origin : China

Operating Temperature : 0 ~ 40° C

Dimension : 75 x 34 x 43 mm

Approvals / Marks : 
EuP-LEVEL IV ~ V

**Features:**

Available as European or US model

Wide range 100~240VAC / 47~63Hz

Output connector: standard: 5.5 x 2.1 x 11mm or customer requirement

Overload, Over Voltage & Short Circuit protection

1 year warranty

Specification:

		OUTPUT									
	MODEL	Voltage	min. Load	max. Load	Tolerance	Ripple & N.	OCP	OVP	CEC	Max. Power	
OUTPUT	SYS1308-1005	5V	0A	2A	5%	80mV	2.5~4.5A	7 ~ 9V	IV	10W	
	SYS1308-1505	5V	0A	3A	5%	80mV	3.5~6A	6 ~ 8V	IV	15W	
	SYS1308-1808	7.5V	0A	2.4A	5%	100mV	3~5.5A	9~11V	IV	18W	
	SYS1308-1809	9V	0A	2A	5%	100mV	2.5~4.5A	11~14V	IV	18W	
	SYS1308-2412	12V	0A	2A	5%	120mV	3~5.5A	14~16V	IV	24W	
	SYS1308-2415	15V	0A	1.6A	5%	120mV	2 ~ 4A	17~19V	IV	24W	
	SYS1308-2418	18V	0A	1.33A	5%	120mV	2 ~ 4A	20~22V	IV	24W	
	SYS1308-2424	24V	0A	1A	5%	240mV	1.5~4.5A	26~28V	V	24W	
INPUT	Voltage	100 ~ 240VAC									
	Frequency	47 ~ 63Hz									
	Current	1A @ 230VAC									
	Leakage Current	< 0.25mA									
	Surge Current max.	60A @ 230VAC / 40A @ 115VAC @ 25°C ambient									
PROTECTION	Overload	OCP	Fold back								
	Over Voltage	OVP	Voltage limiting								
	Short Circuit	Yes, Output to Ground, Auto recovery when fault has been removed									
	Short Current & Over Current can not exceed 8A max. after 1minute at nominal line input										
No Load Operation Yes , to protect the power supply and system from damage											
OTHERS	Setup time	7s max. @ AC low line Input and Output full load									
	Holdup time	10ms @ AC nominal Input and Output full load									
	Cooling	Free air convection									
	Withstand Voltage	HI-POT B / I/P-O/P: 3KVAC / 10mA / 1 minute									
	Power Consumption	max. 0.5W @ AC nominal Input and Output min. load									
	Efficiency (normal)	77.6% min. @ 240VAC input & Full load									
	Input Fuse	1A protected against power line surges and any abnormal conditions									
Vibration	Frequency 5-20-500 / 30 minutes - X,Y,Z axis - 1G										
Environment	Temperature	Operating: 0 ~ 40°C / Storage: -20 ~ 85°C									
	Humidity	Operating: 8% ~ 90% RH / Storage: 5% ~ 95% RH									
Connection	Cable	180cm (6ft.)									
	Output Plug	Standard: 5.5 x 2.1 x 11mm (spring loaded center) or customer requirement									
MTBF	> 35K hours										
SAFETY	TÜV EN60065 :2002 / IEC 60065										
EMC	EMI	EN55022 Class B / FCC part 15 subpart B Class B / EN61000-3-2(2000) / EN61000-3-3(1995)+A1(2001)									
	EMS	IEC61000-4-2,5,8(2001) / IEC61000-4-3(2002) / IEC61000-4-6(2002)+A1(2003) / IEC61000-4-4,11(2004)									
		EN55024(1998)+A1(2001)+A2(2003)									
WEIGHT	N.W.: 143 g										

Betriebsanleitung:
Steckernetzteile (SYS 1308)

Zu Ihrer Sicherheit:

- das Netzteil ist weder spritzwassergeschützt noch wasserdicht.
- das Netzteil darf nicht im Bad, in Feuchträumen oder im Freien betrieben werden
- die Eingangsspannung zwischen 90VAC bis 264VAC/47-63Hz. Muss zwingend eingehalten werden
- das Netzteil darf keiner direkten Sonnenbestrahlung ausgesetzt oder sonstigen Wärmequellen ausgesetzt werden
- öffnen Sie nicht das Gehäuse, das Netzteil ist wartungsfrei

Die Angaben auf dem Datenblatt sind zwingend einzuhalten!

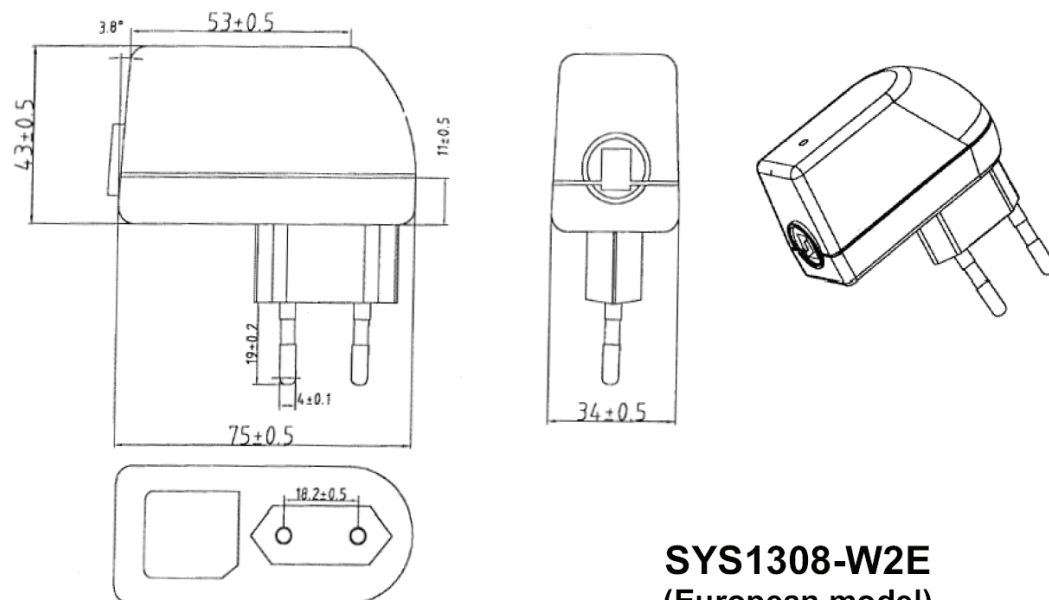
Instruction Manual:

Wall Mount Power Supply (SYS 1308)

For your security

- the power supply is neither splash proof or waterproof
- do not use the power supply in bathroom, in rooms with high humidity or Outdoors
- only use the correct power outlet voltage. The input voltage must be held in the range of 90VAC bis 264VAC/47-63Hz
- do not expose the power supply to heat or direct sunshine
- do not remove the units cover, there are no serviceable parts inside

Abiding the technical specifications of the data sheet is mandatory

**SYS1308-W2E**
(European model)

All measurements in millimeters [mm]