

Product Description

The ZM1.WALL is a mechanical accessory to mount a device on a flat surface or panel without utilizing a DIN-rail.

The order number ZM1.WALL contains two brackets needed for one device.

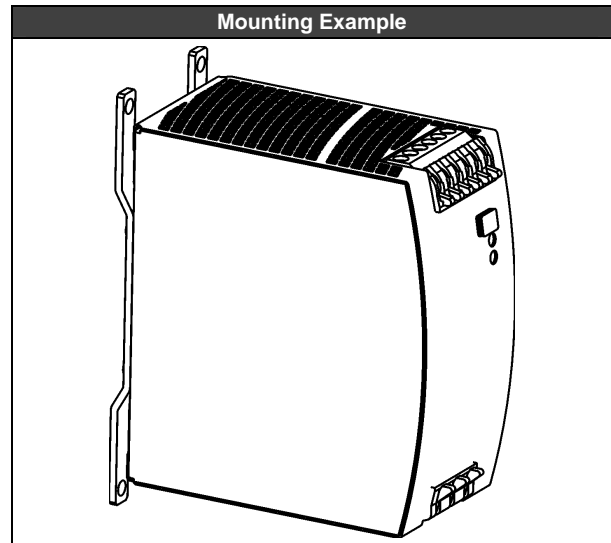
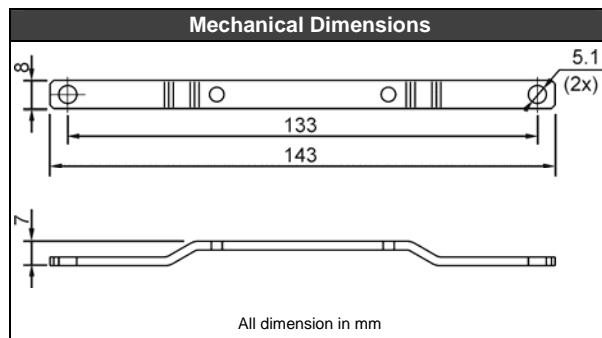
Technical Data

Size (width x height x depth) 143x8x7mm

Weight 50g / 0.11lb

Intended Use

This mechanical accessory is designed for DIN-rail devices. Check the product datasheet of the DIN-rail device to confirm that it is suitable for the desired device.



Headquarters: PULS GmbH, Elektrastr. 6, 81925 Munich, Germany, www.pulspower.com

Germany +49 89 9278 0

France +33 478 668 941

Austria +43 2764 3213

Switzerland +41 56 450 18 10

China +86 512 62881820

North America +1 630 587 9780

Singapore +65 6684 2310

United Kingdom +44 1525 841001

The information in this document is believed to be accurate and reliable and may change without notice.

Installation Instructions

- 1) Detach the two aluminium brackets by removing the four screws with a Torx 10 screwdriver.
- 2) Remove the plastic lock mechanism by using a flat-blade screwdriver to move the lock downwards while at the same time push the plastic slider upwards. Detach the plastic slider.
- 3) Mount the steel brackets with the same screws from the DIN-Rail brackets. Be careful not to over-tighten the screws! Recommended tightening torque is 0.6Nm/ 5.3lb.in.

WARNING - Risk of electrical shock, fire, personal injury or death.

Do not use other screws than the one from the DIN-Rail bracket. The unit might become unsafe when using longer screws as contact with live electrical circuits may occur.

