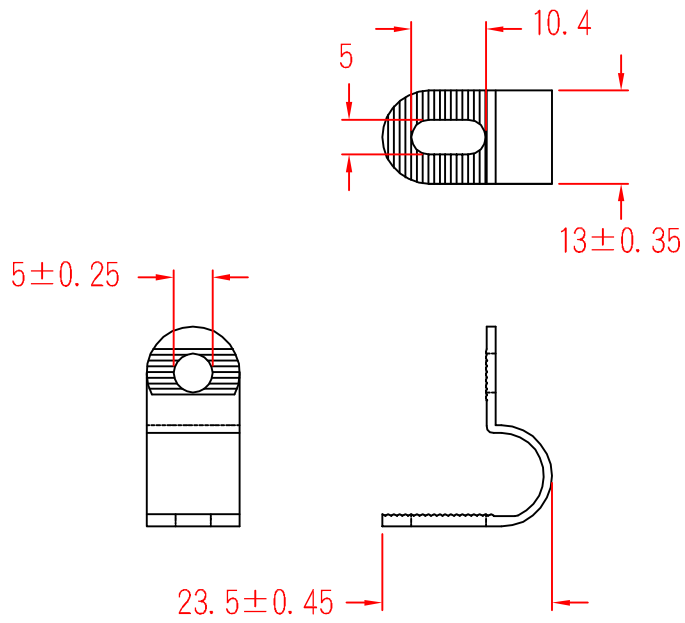


PC-0406



		MATERIAL: UL 94V-2		ITEM NO.	
		NYLON 66		PC-0406	
SCALE		FINISH	NAME		
			CABLE CLAMP		
△	(. .)	TOLERANCE $\pm 0.5\text{mm}$	△	01-16-2006	REVISIONS
			DATE	K002	R.NO.

